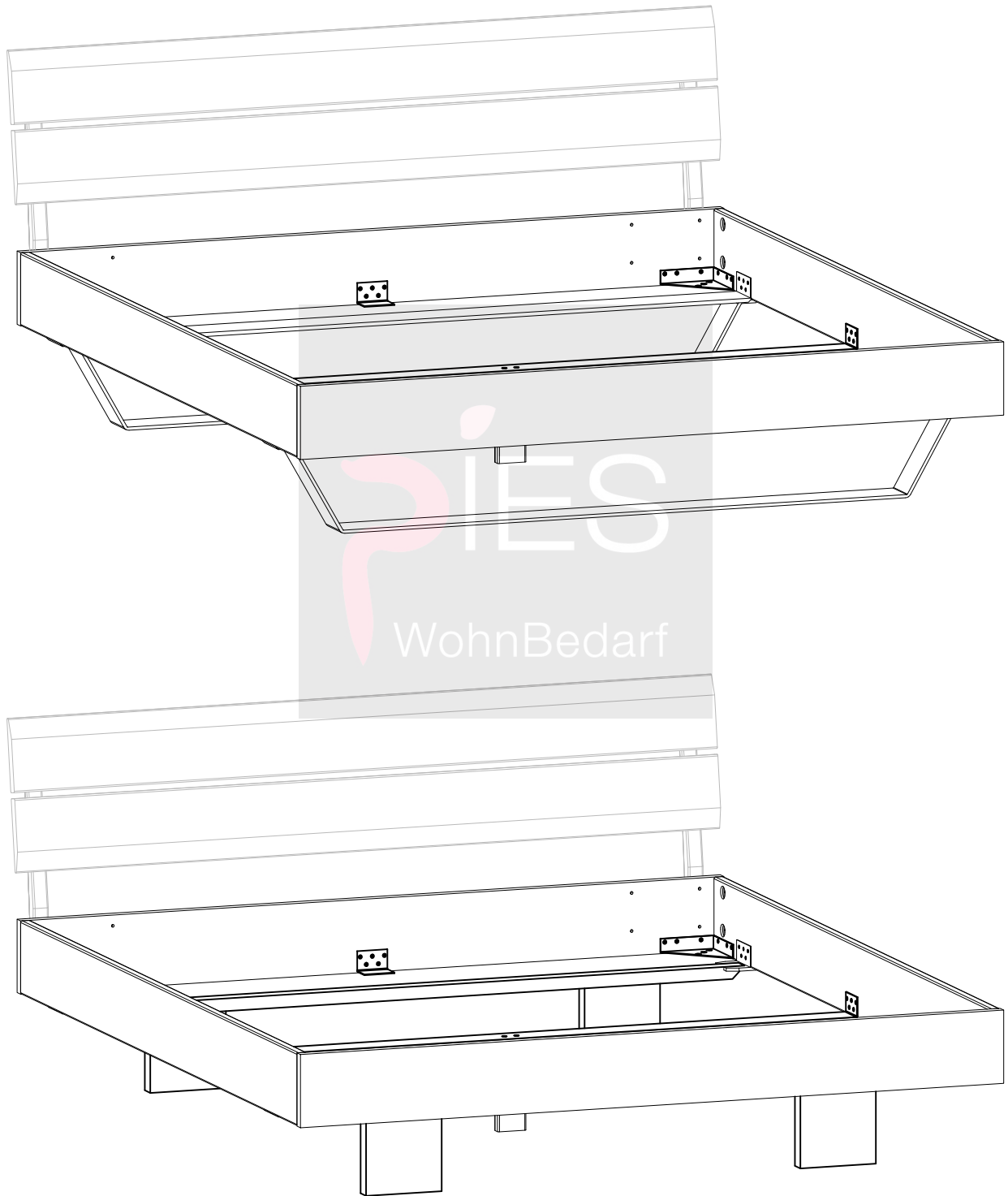


Modern Sleep

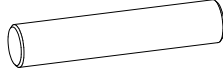
Kufen

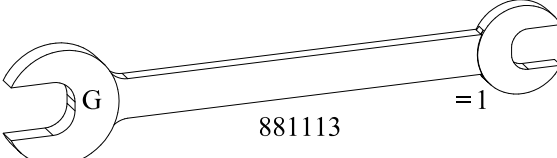
893278




1

A  = 8
826039

B  = 8
771050

G  = 1
881113

C  = 8
867165

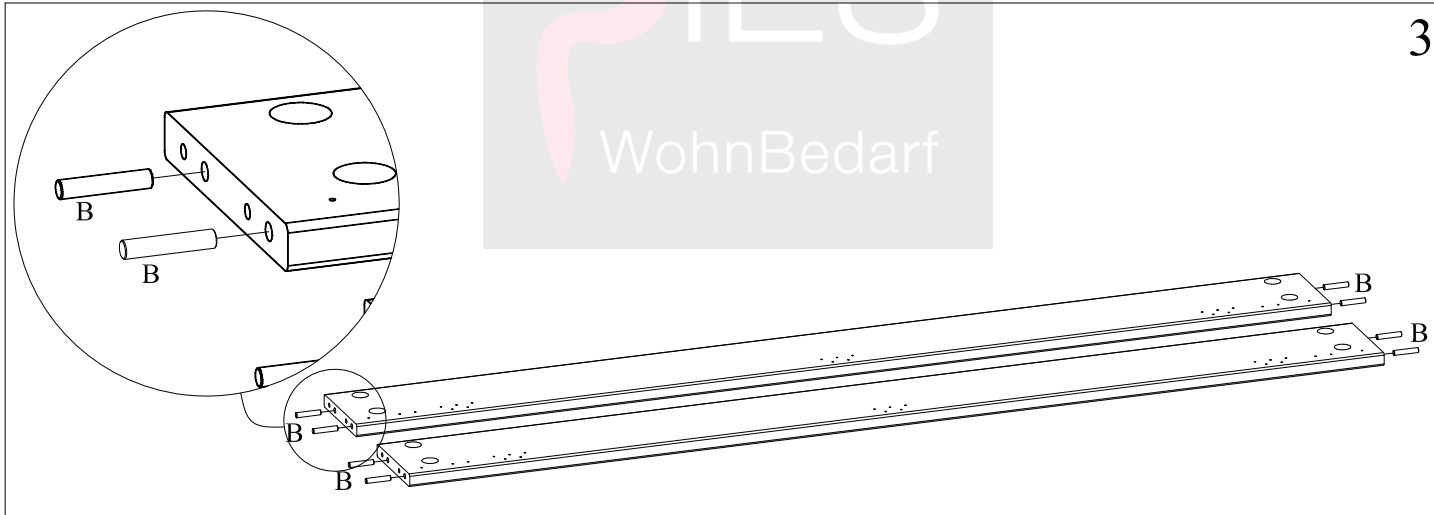
D  = 8
826556

E  = 8
826571

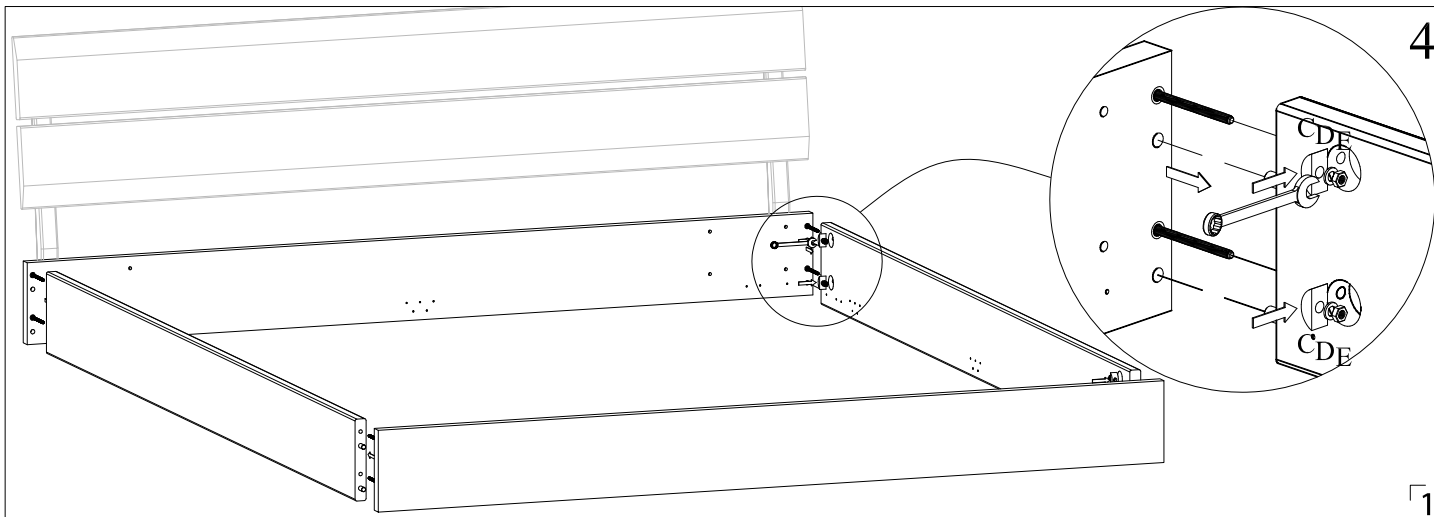
2



3



4



1

