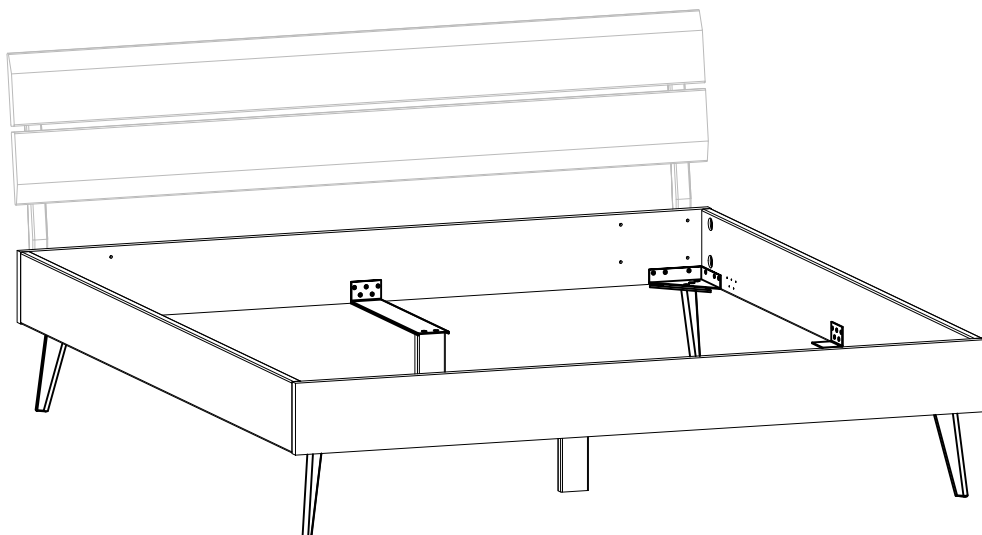
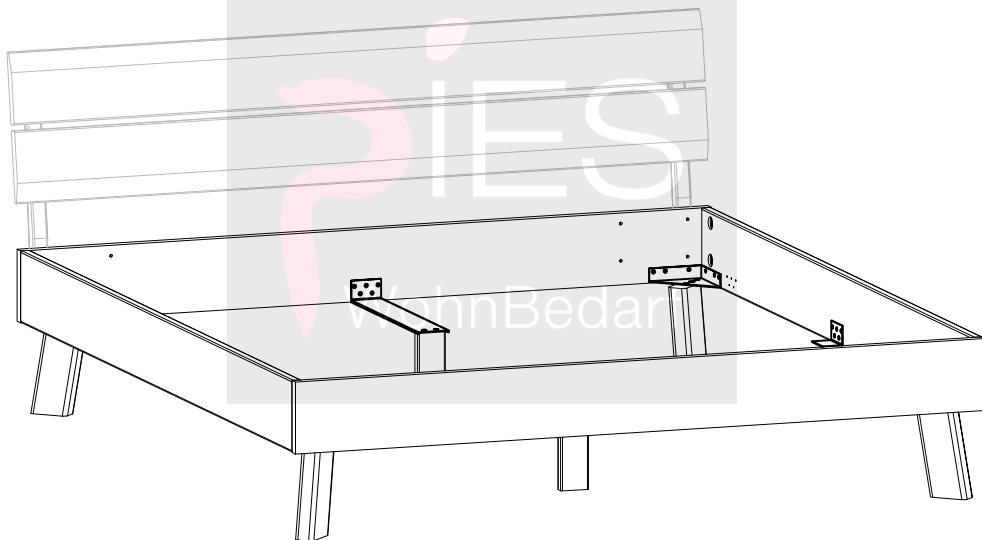
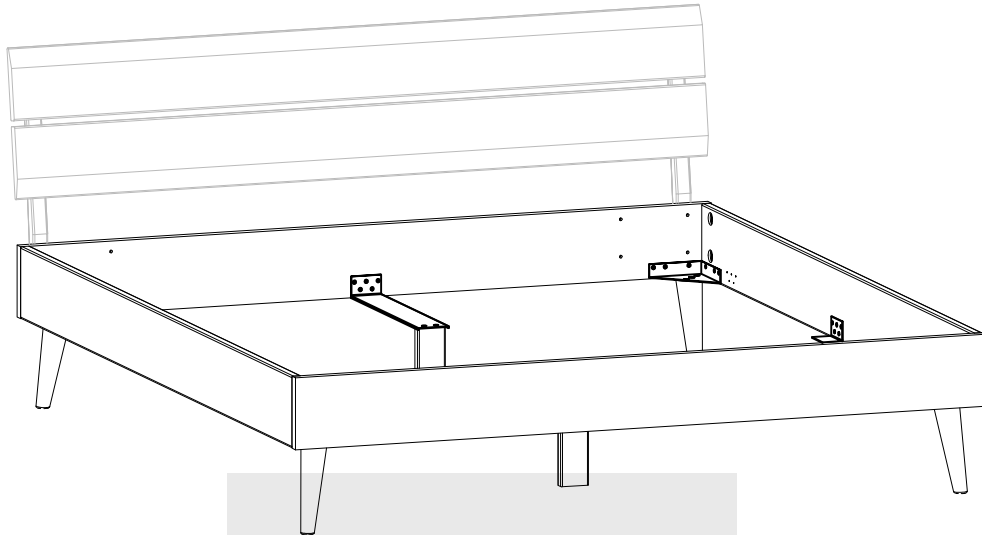


893228

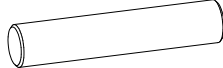
# Modern Sleep


## Bein - Rund oder eckig



1

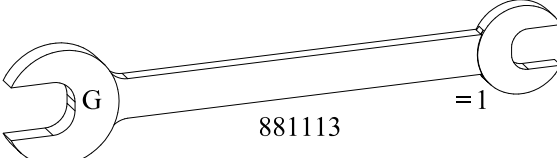
A  = 8  
826039

B  = 8  
771050

C  = 8  
867165

D  = 8  
826556

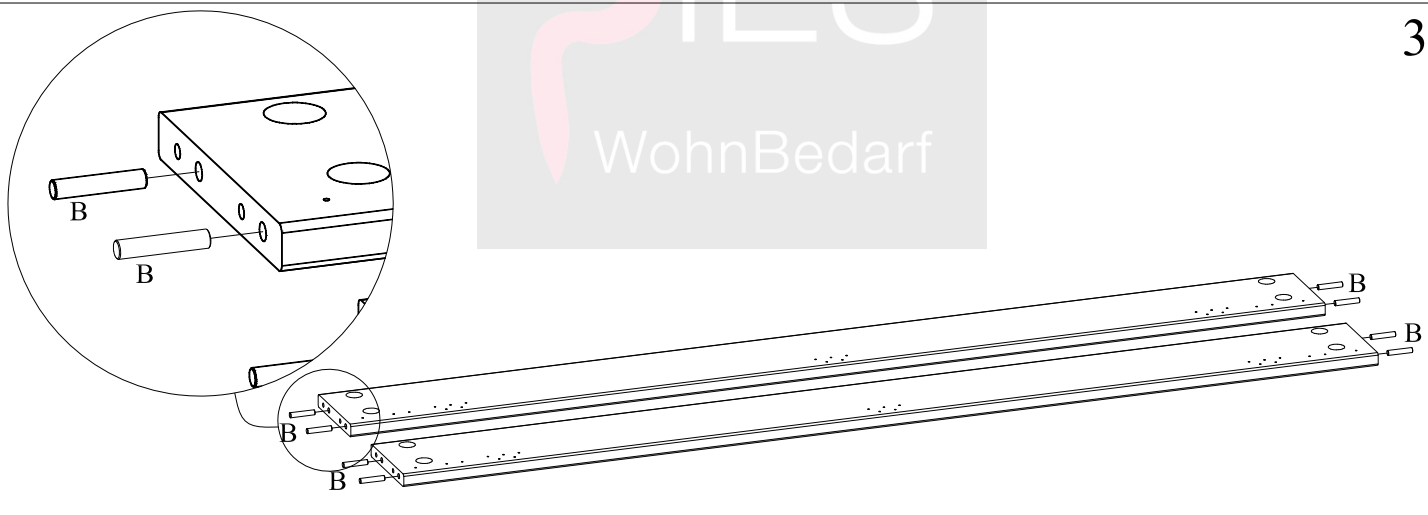
E  = 8  
826571

G  = 1  
881113

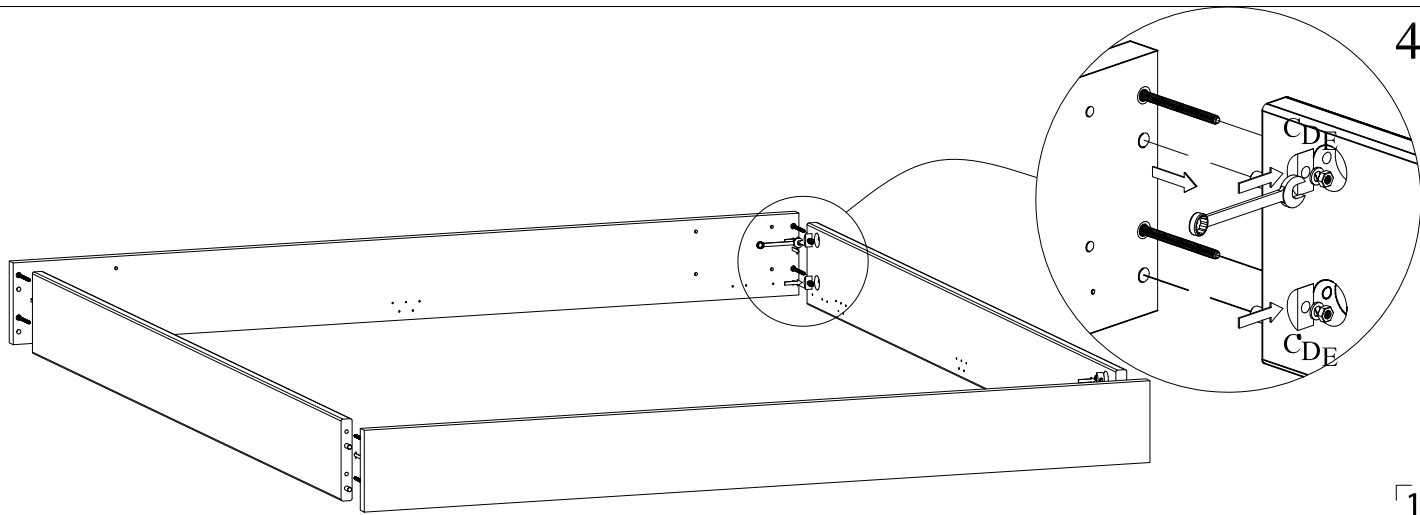
2



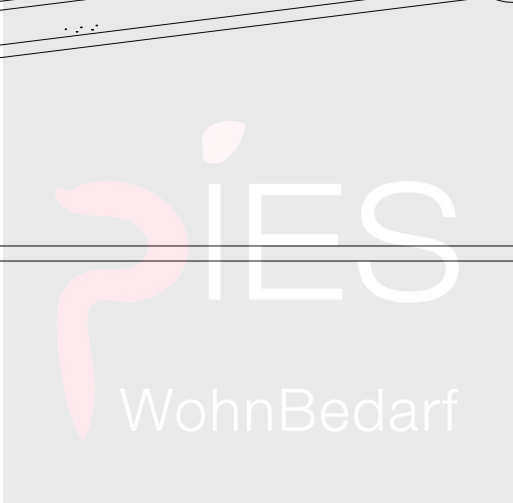
3

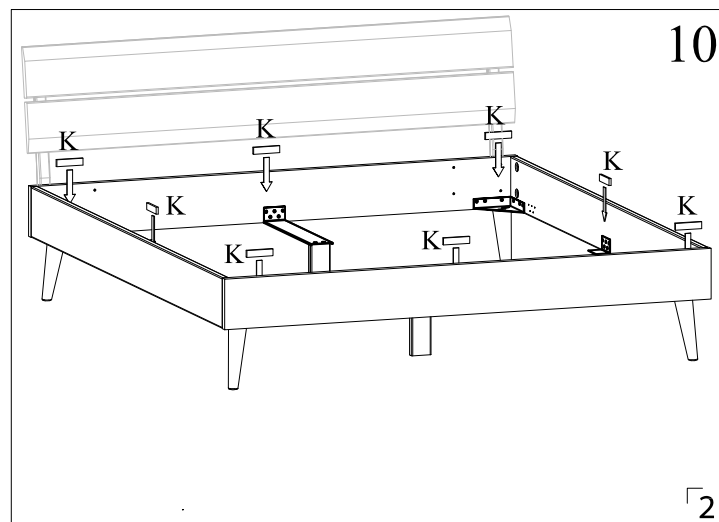
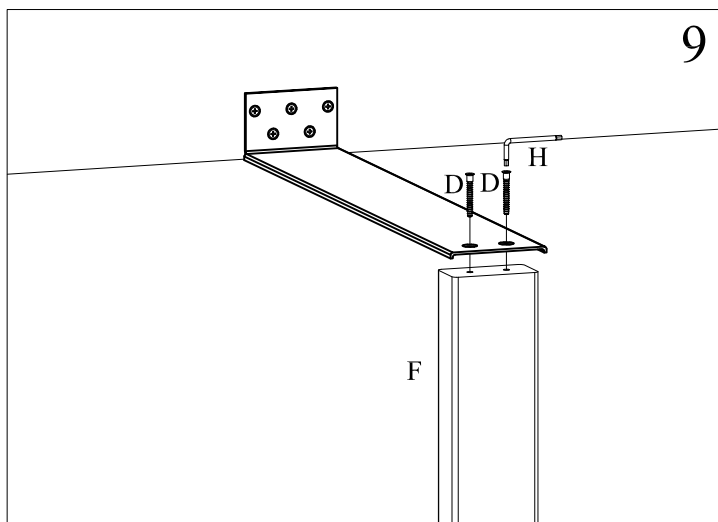
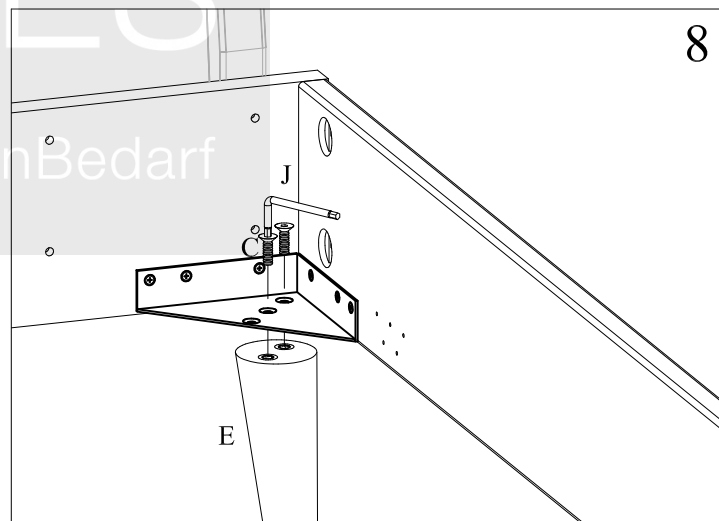
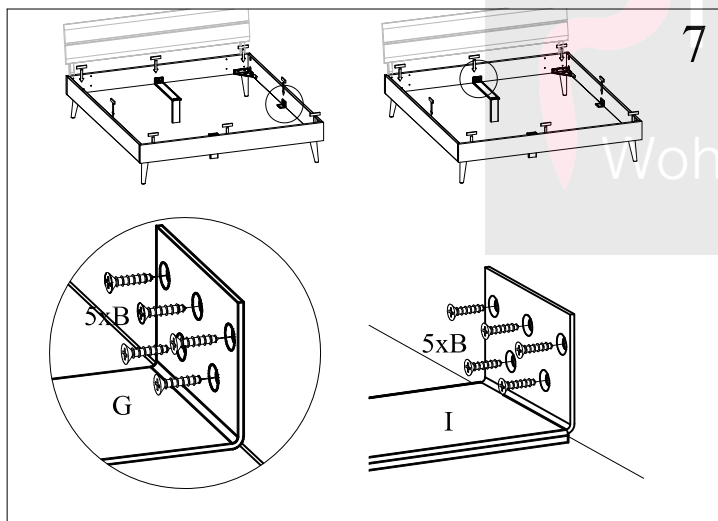
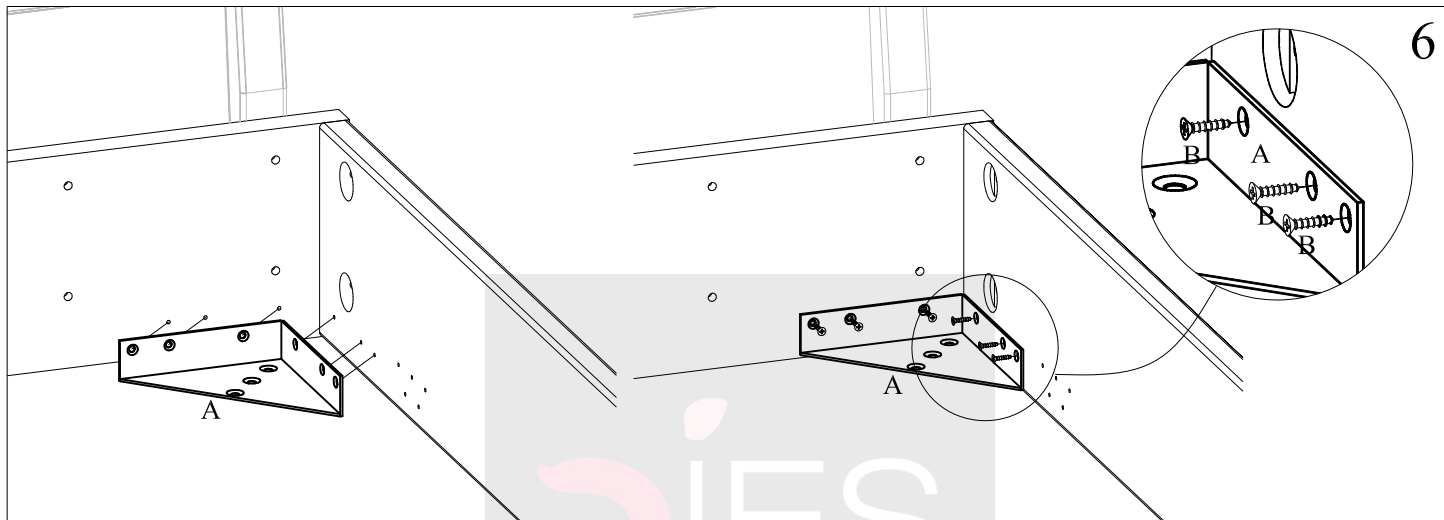
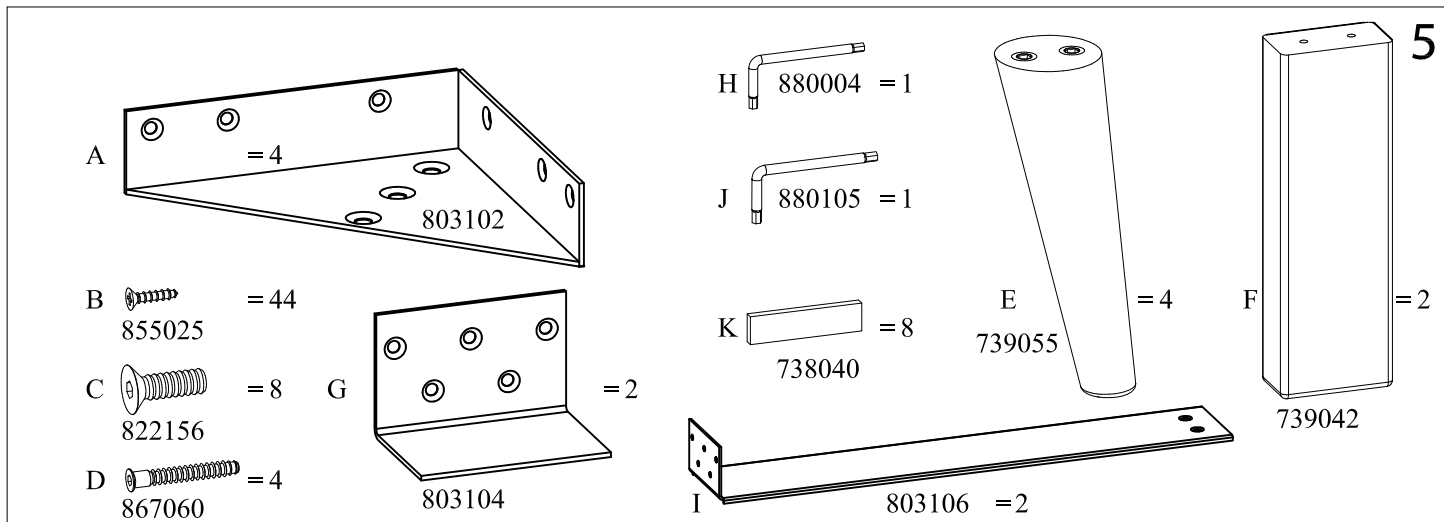


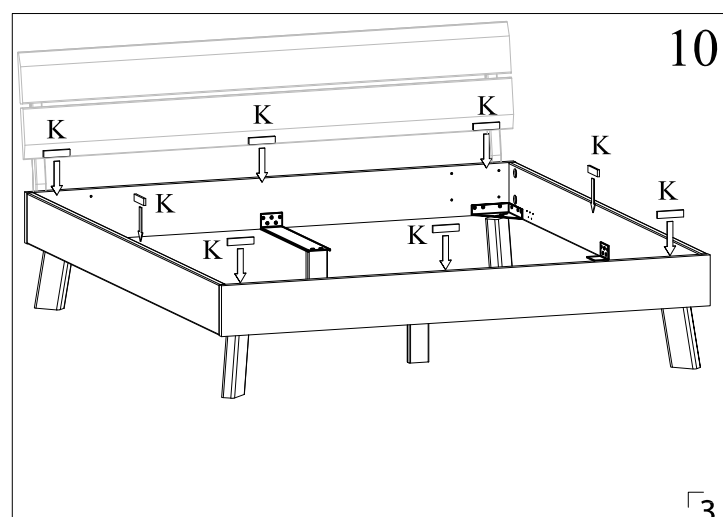
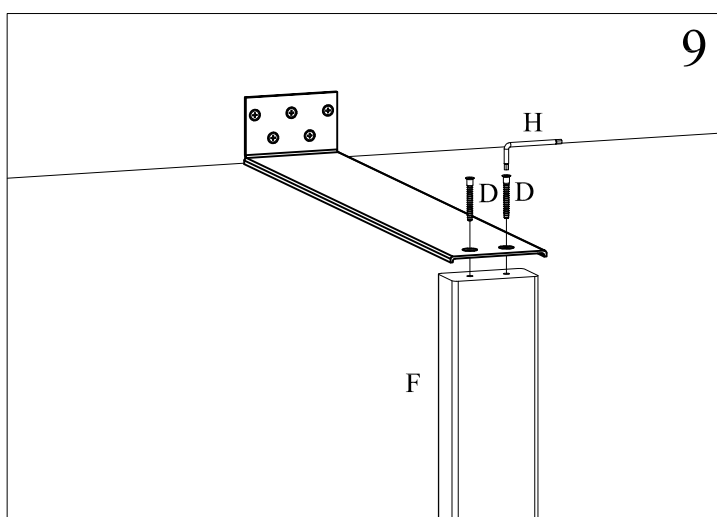
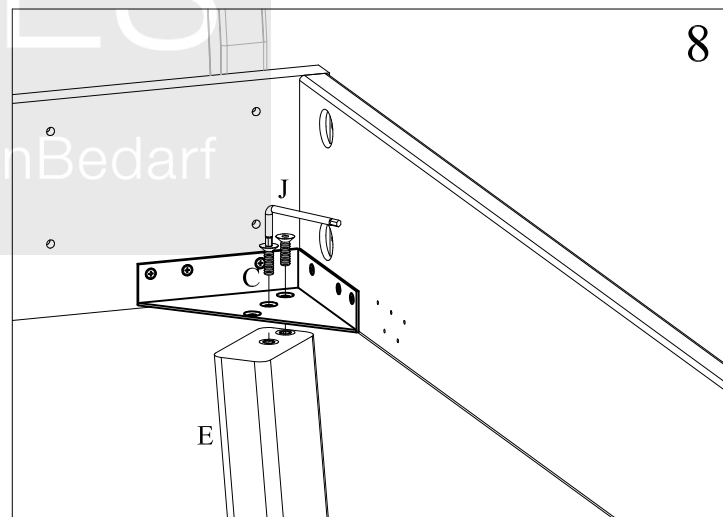
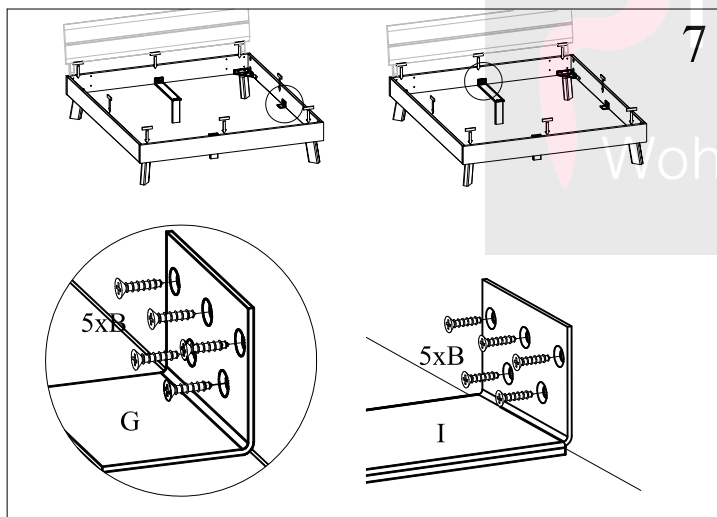
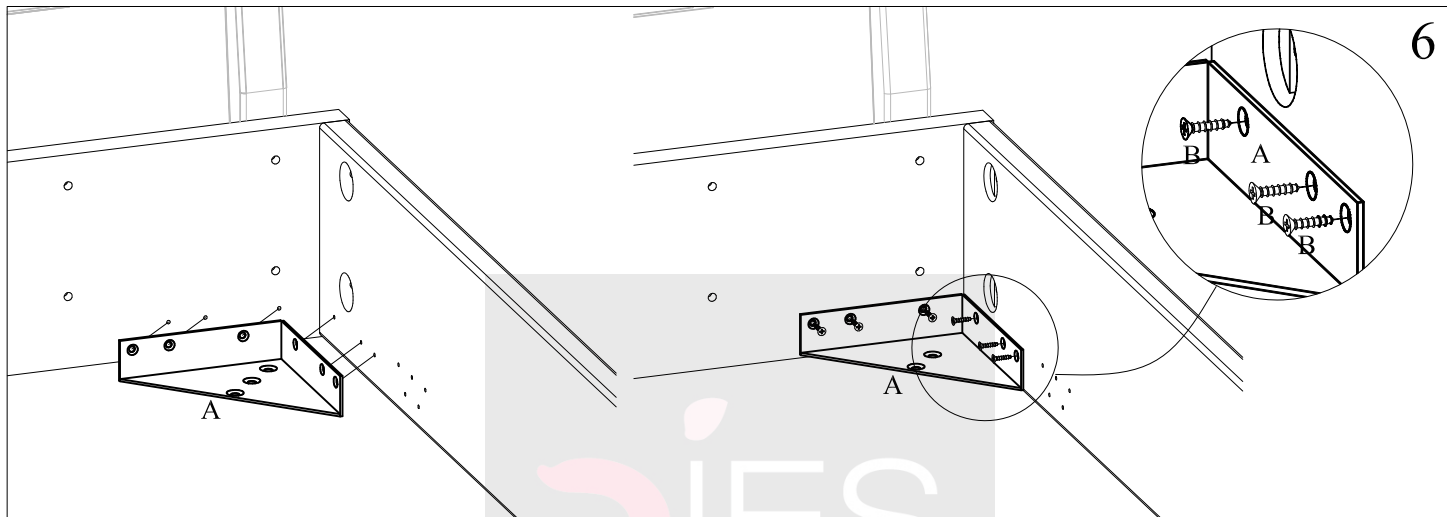
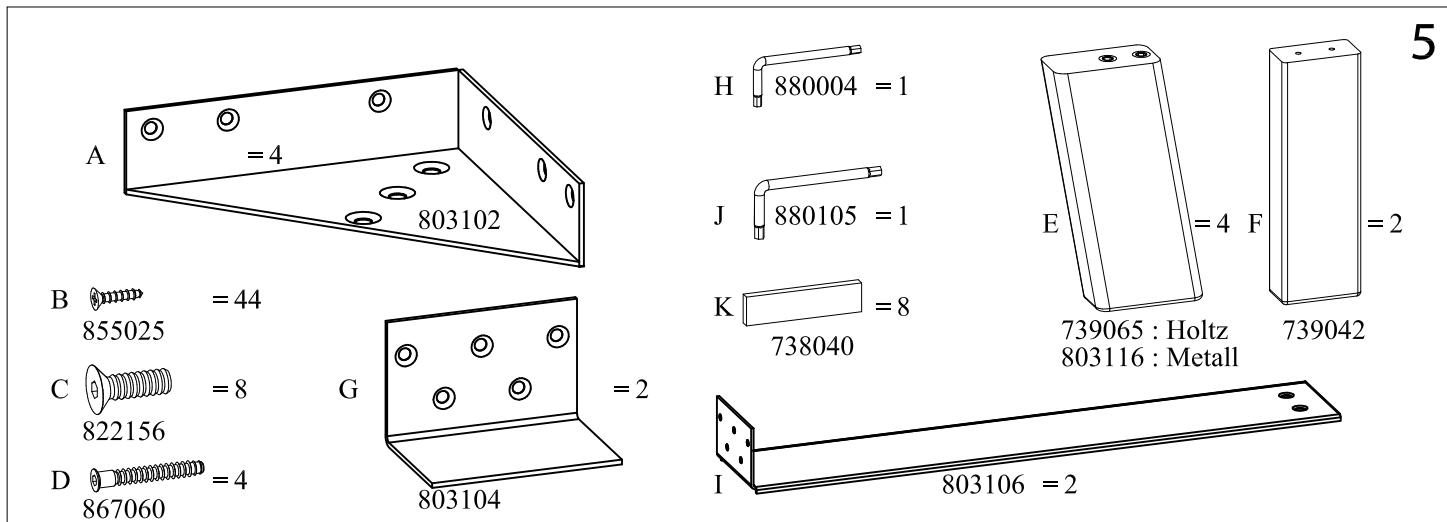
4



1







**5**

**A** = 4  
**B** = 44  
**C** = 8  
**D** = 4  
**E** = 4  
**F** = 2  
**G** = 2  
**H** 880004 = 1  
**I** 803106 = 2  
**J** 880105 = 1  
**K** 738040 = 8  
**803102**  
**803104**  
**803150 : Metall**    **739042**

**6**

**A**  
**B**

**7**

**G**  
**I**

**8**

**J**  
**E**

**9**

**F**  
**H**  
**D**

**10**

**K**