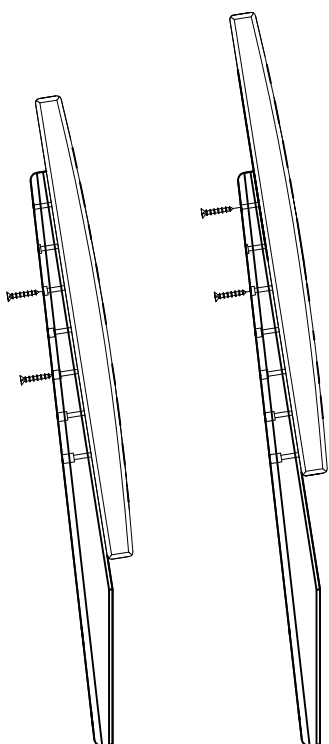
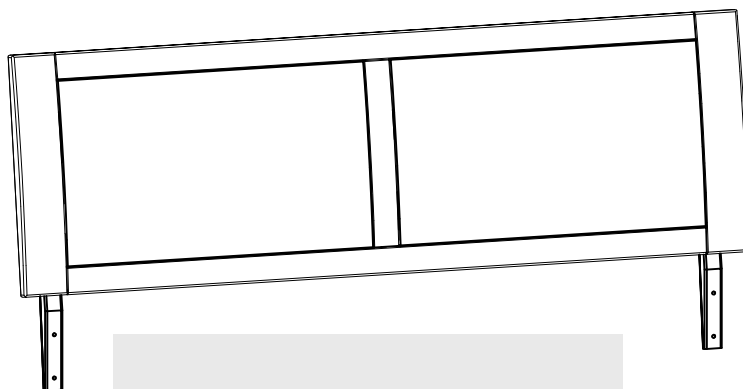


Easy Sleep

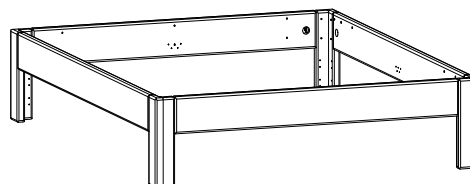
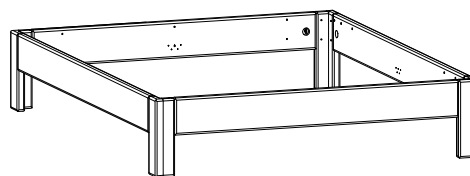
KOPFTEIL

C90xx/4x









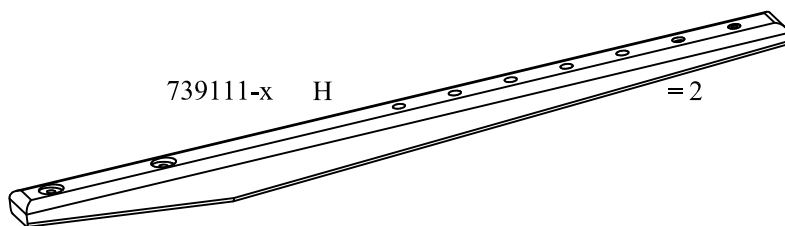
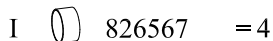
C91

Alt.

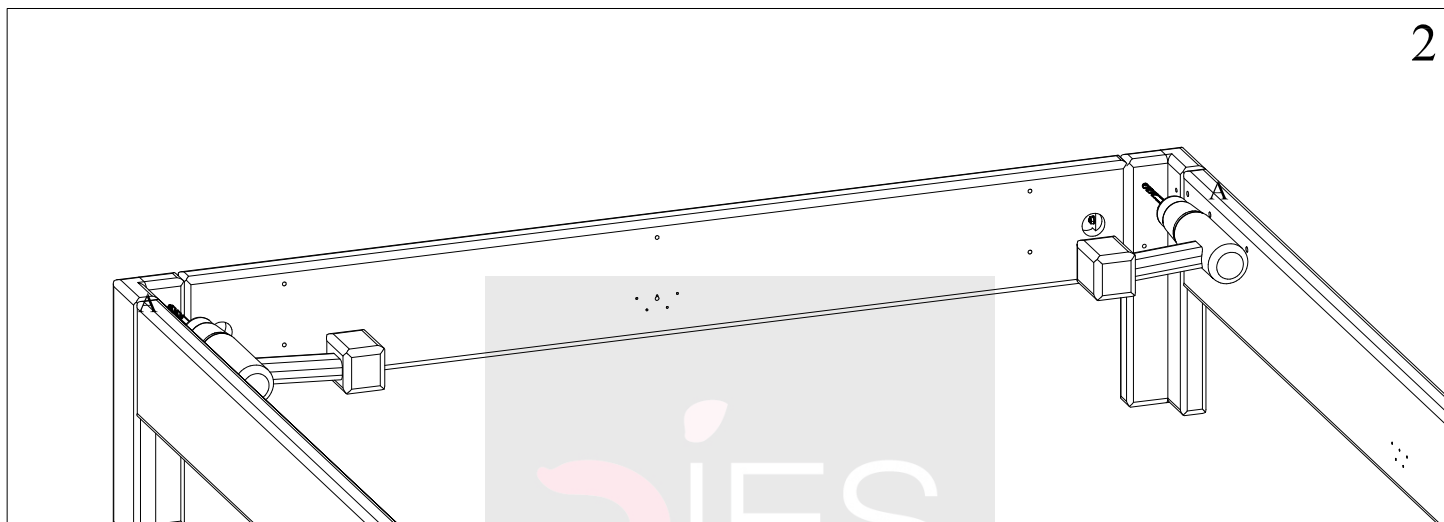


1

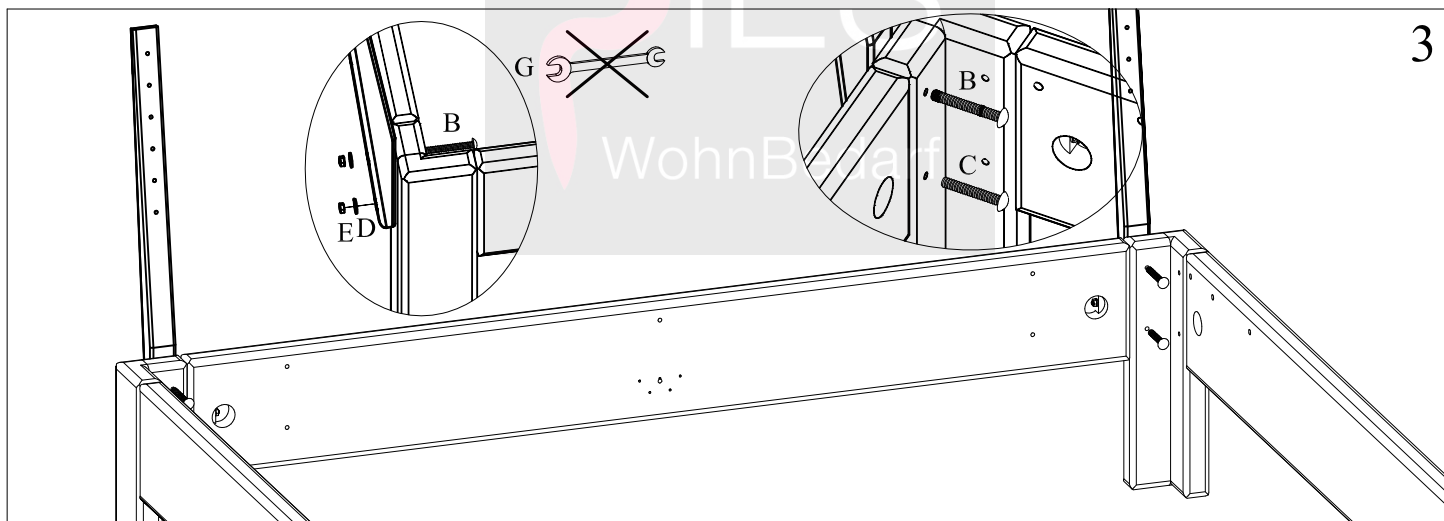
- A  = 1
881065
- B  = 2
826080
- C  = 2
826070
- D  = 4
826555
- E  = 4
826571
- F  = 8
853540



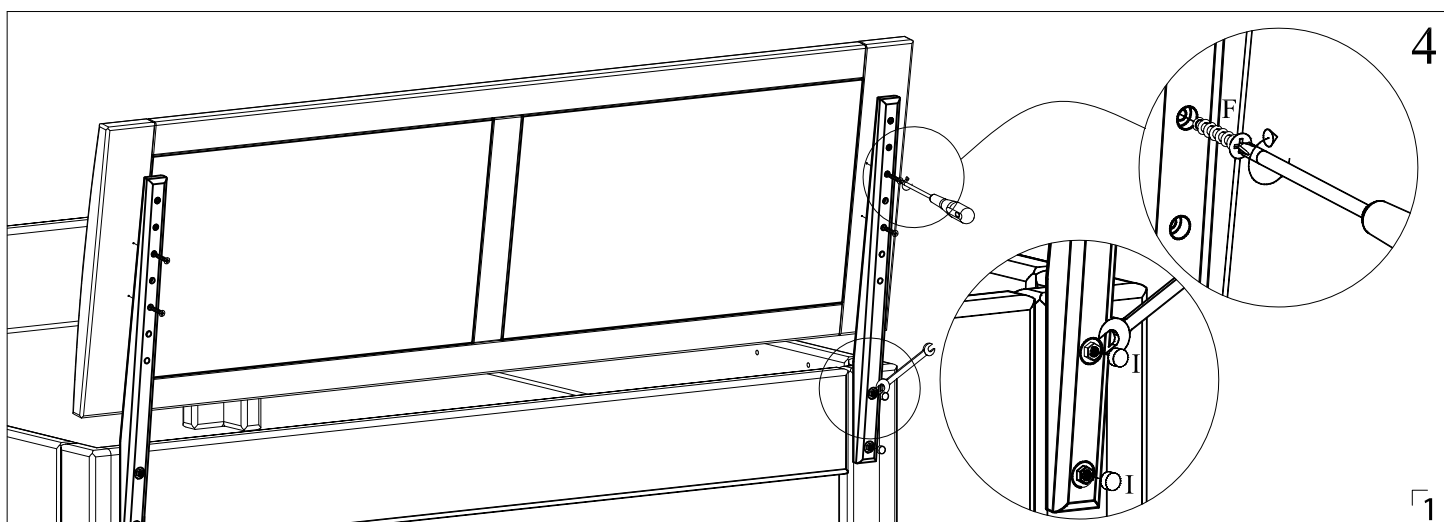
2



3



4



1