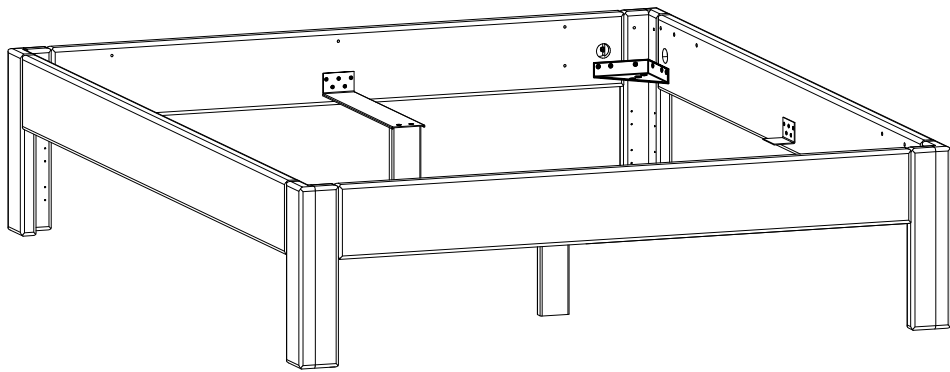
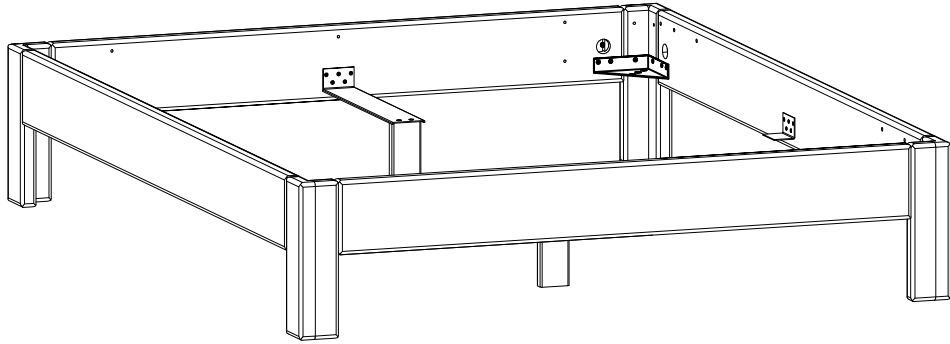


Easy Sleep

Bein - Eckig



1

A = 8
826039

B = 16
771050

C = 8
867165

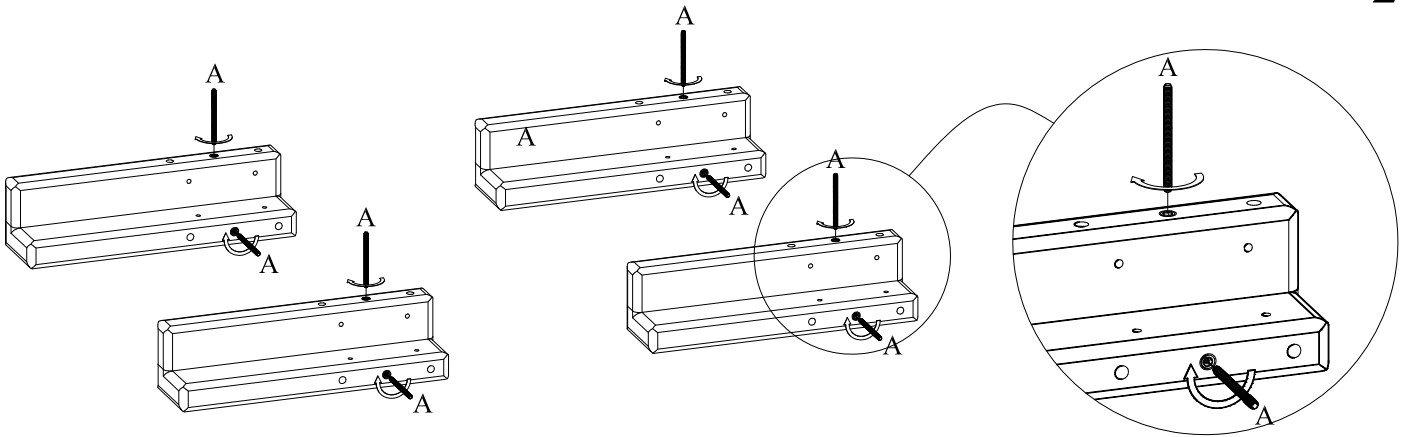
D = 8
826556

E = 8
826571

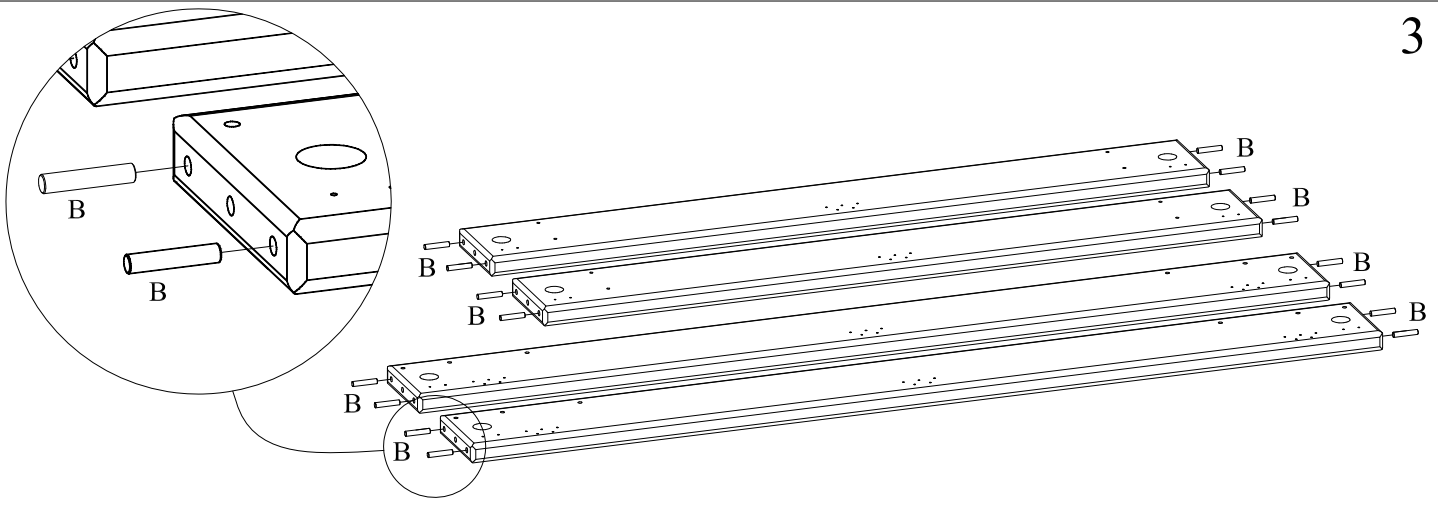
F = 4
C9318-2

G = 1
881113

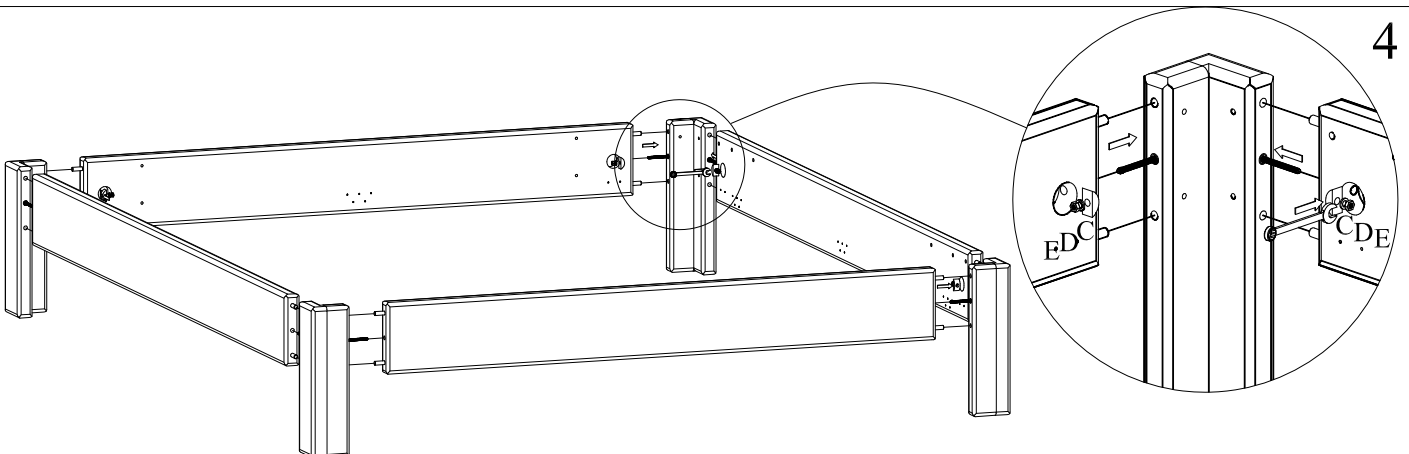
2



3



4



1

