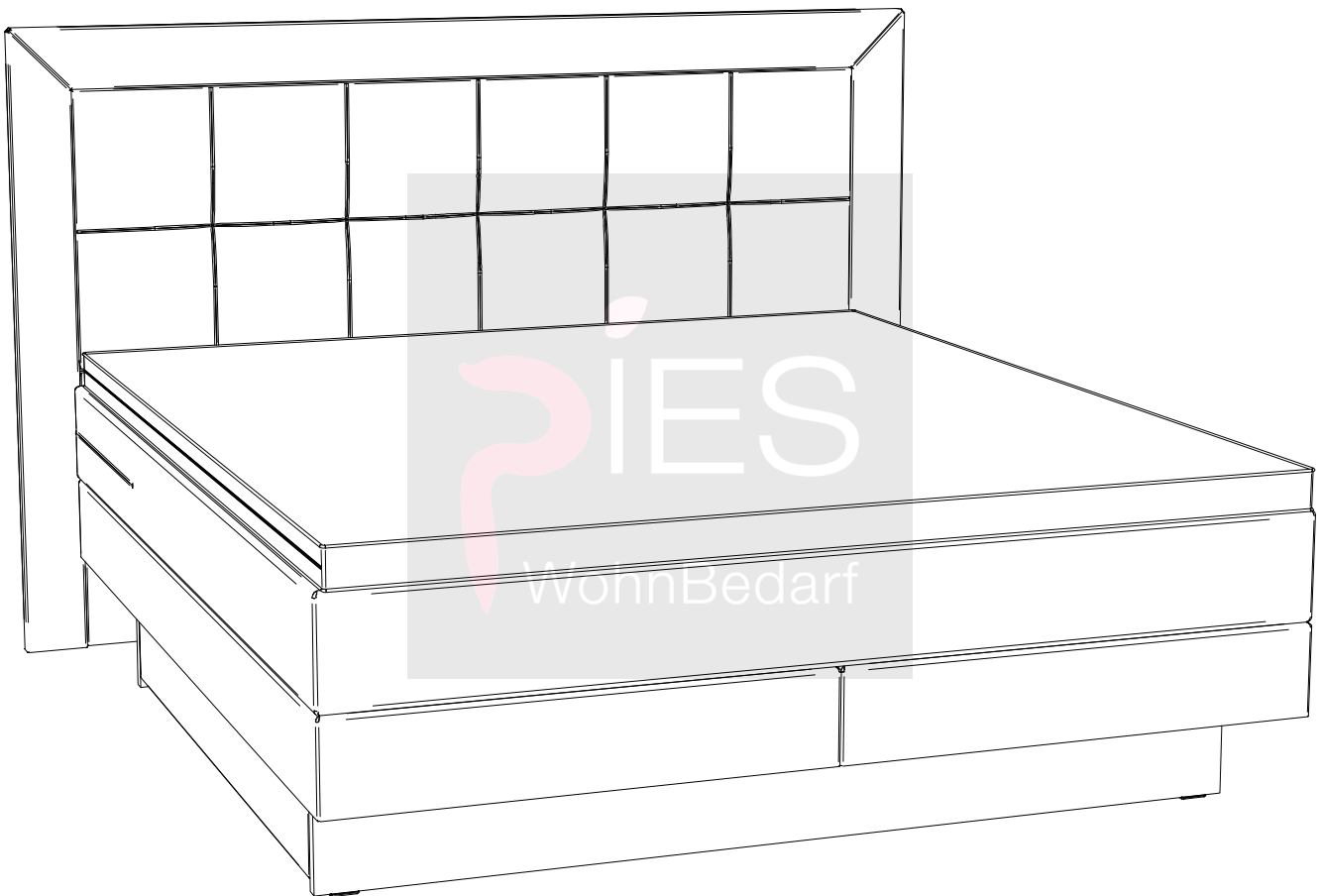




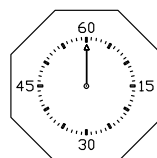
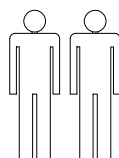
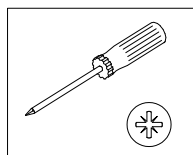
MONTAGEANLEITUNG
NOTICE DE MONTAGE
ASSEMBLY INSTRUCTION
ISTRUZIONE DI MONTAGGIO



Texas

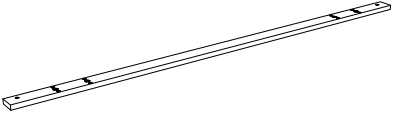
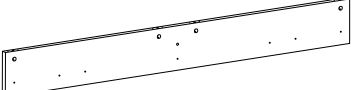

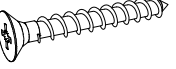
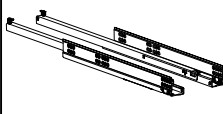
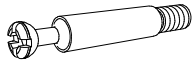
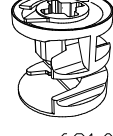
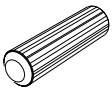
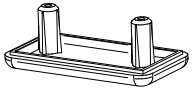

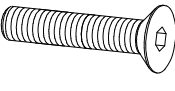

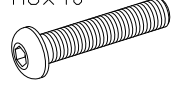
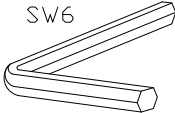


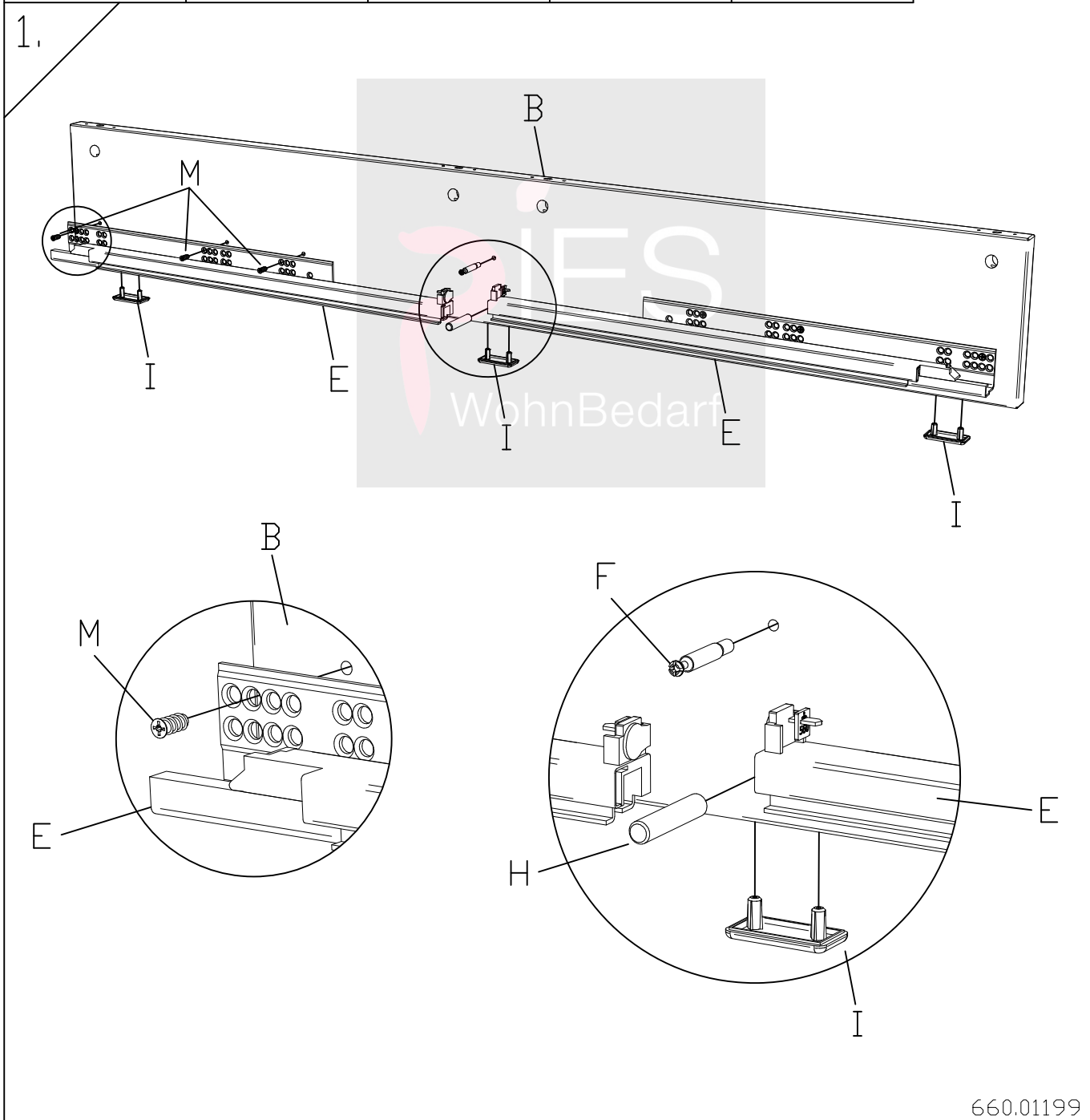
Benötigte Werkzeuge – Outils Nécessaires – Tools Required – Attrezzi Necessari

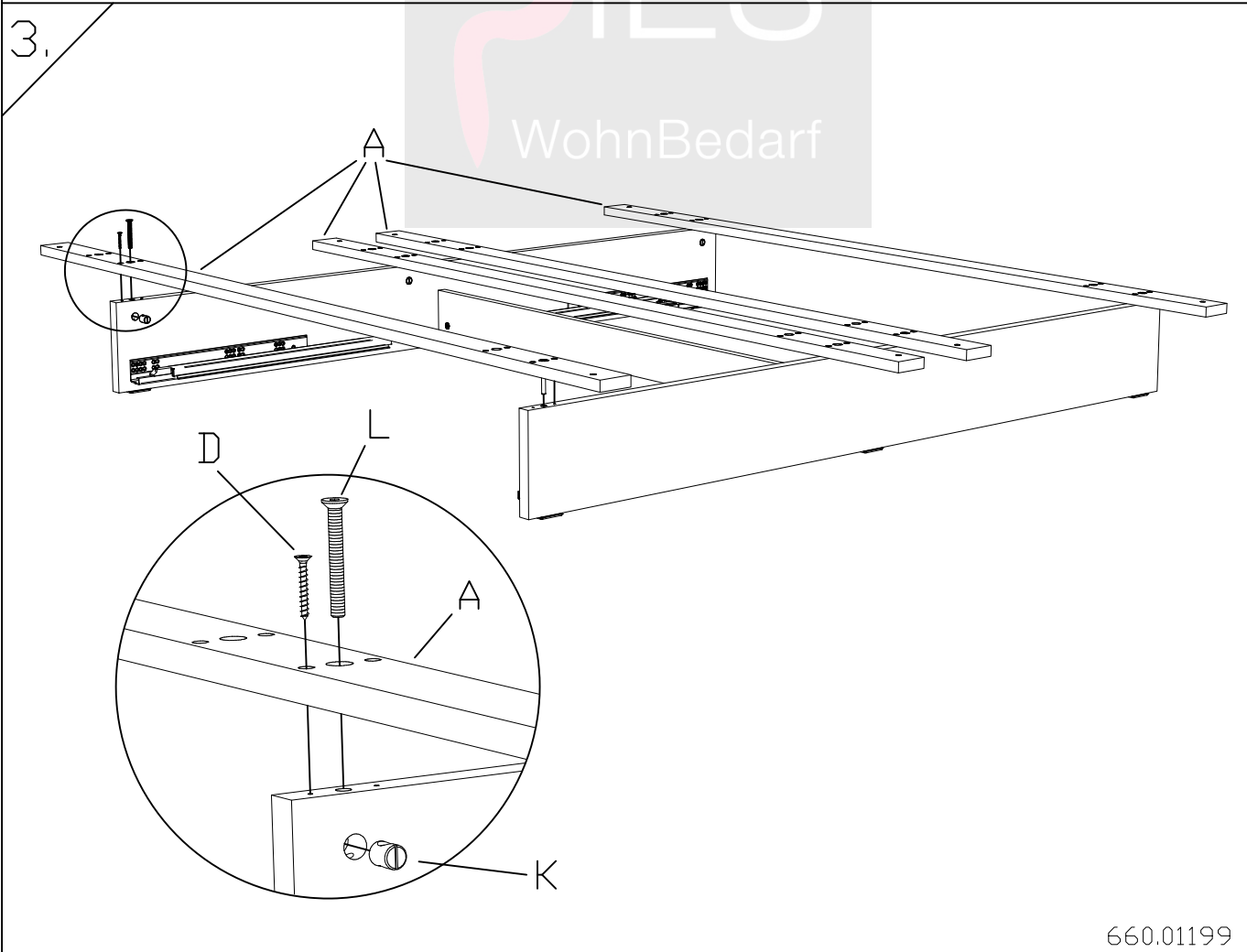
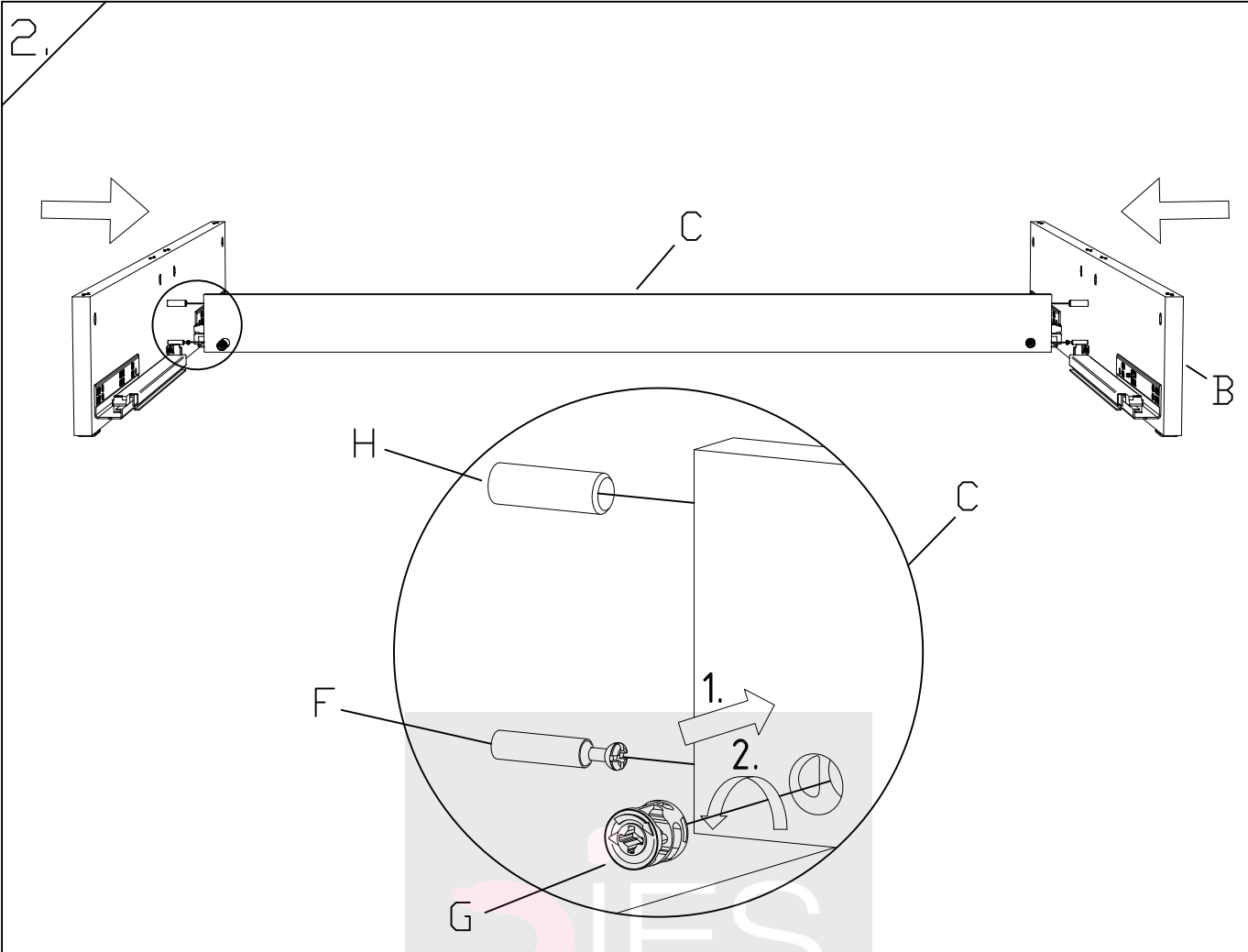


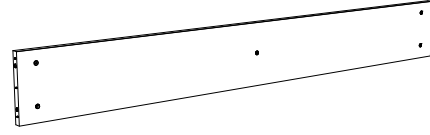
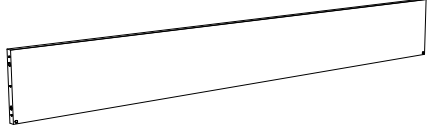
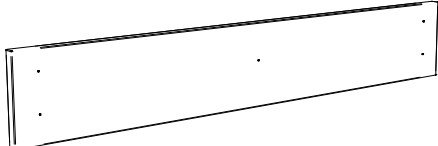
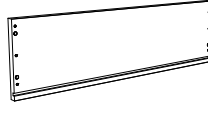


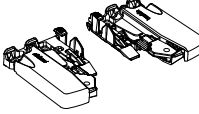
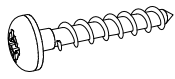
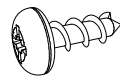
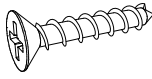
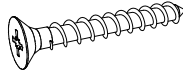

01.10.2021

660.01199

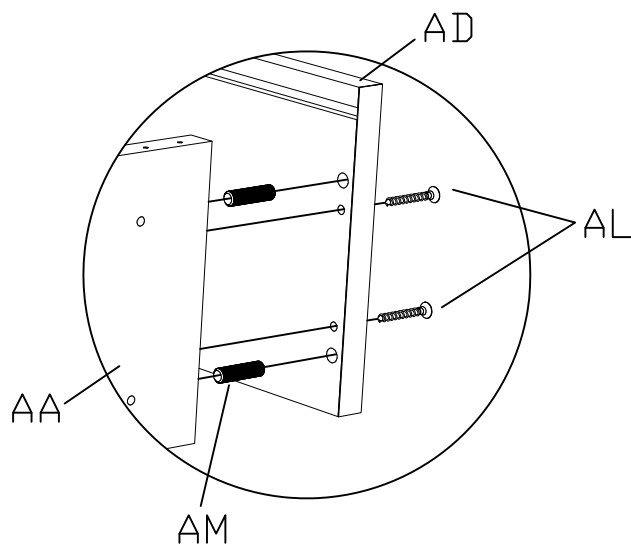
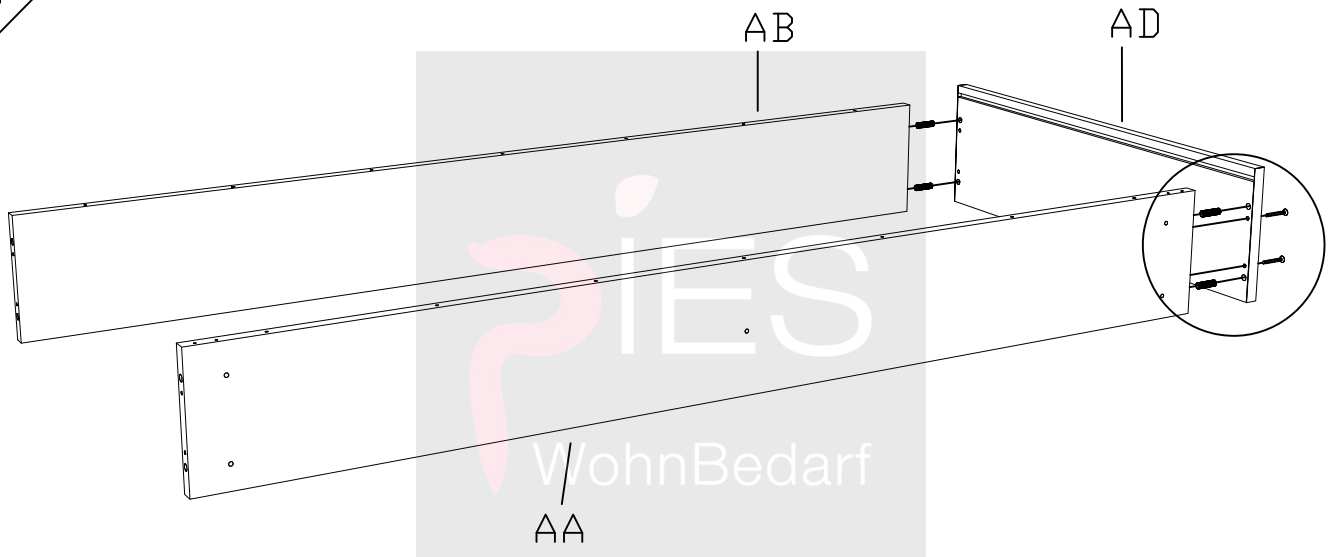
A x4 		B x2 		C x1 	
D x8 Ø4.5x35  631.346		E x4  2xL 629.00094 2xR 629.00095		F x2 Ø7x34  631.06400	
G x2  631.00005		H x2 Ø10x50  630.02400		I x6  630.37016	
K x8  631.611		L x8 M8x60  631.004		M x12  631.06100	
N x4 M8x40  631.112		Z x1 SW6  631.103			



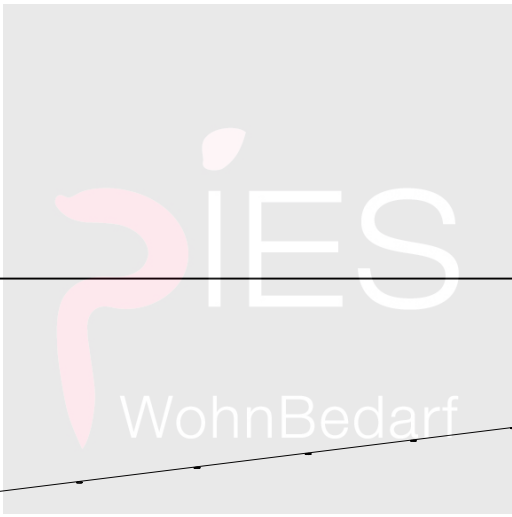
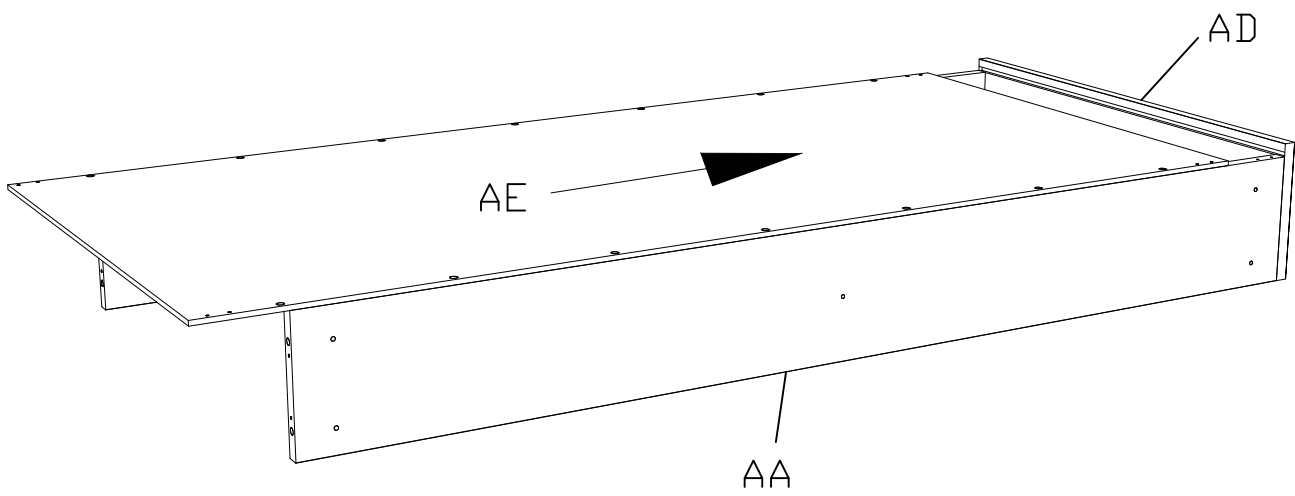


AA 1x  749.886		AB x1  749.888		AC x1  749.872	
AD x2  749.887	AE x1  749.889	AF x2  629.00111	AG x2  li 629.00096 re 629.00097	AH x14 Ø4x25  631.30900	AI x4 Ø4x12  631.1630
AK x2 Ø3.5x20  631.300	AL x13 Ø4x35  631.346	AM x8 Ø8x30  630.021			

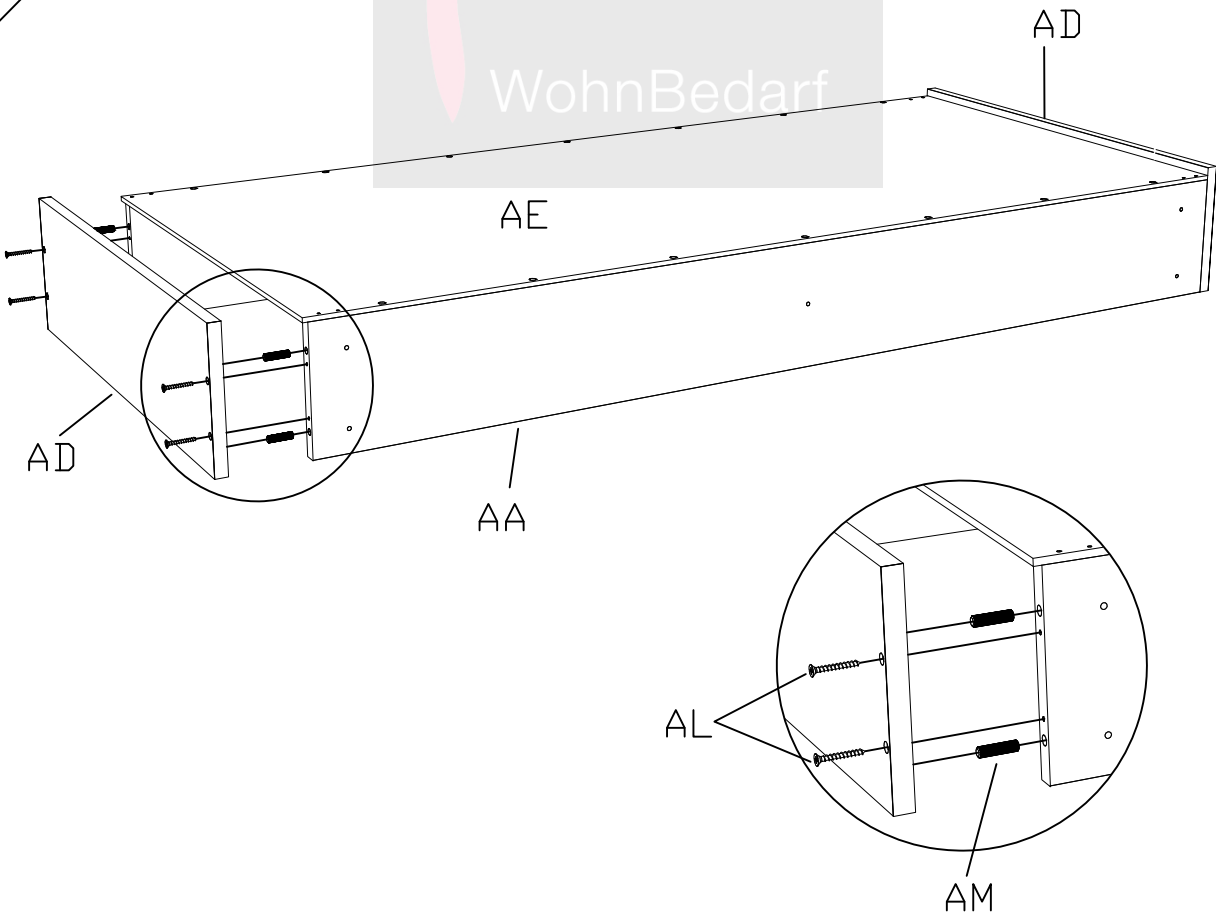
4.



5.

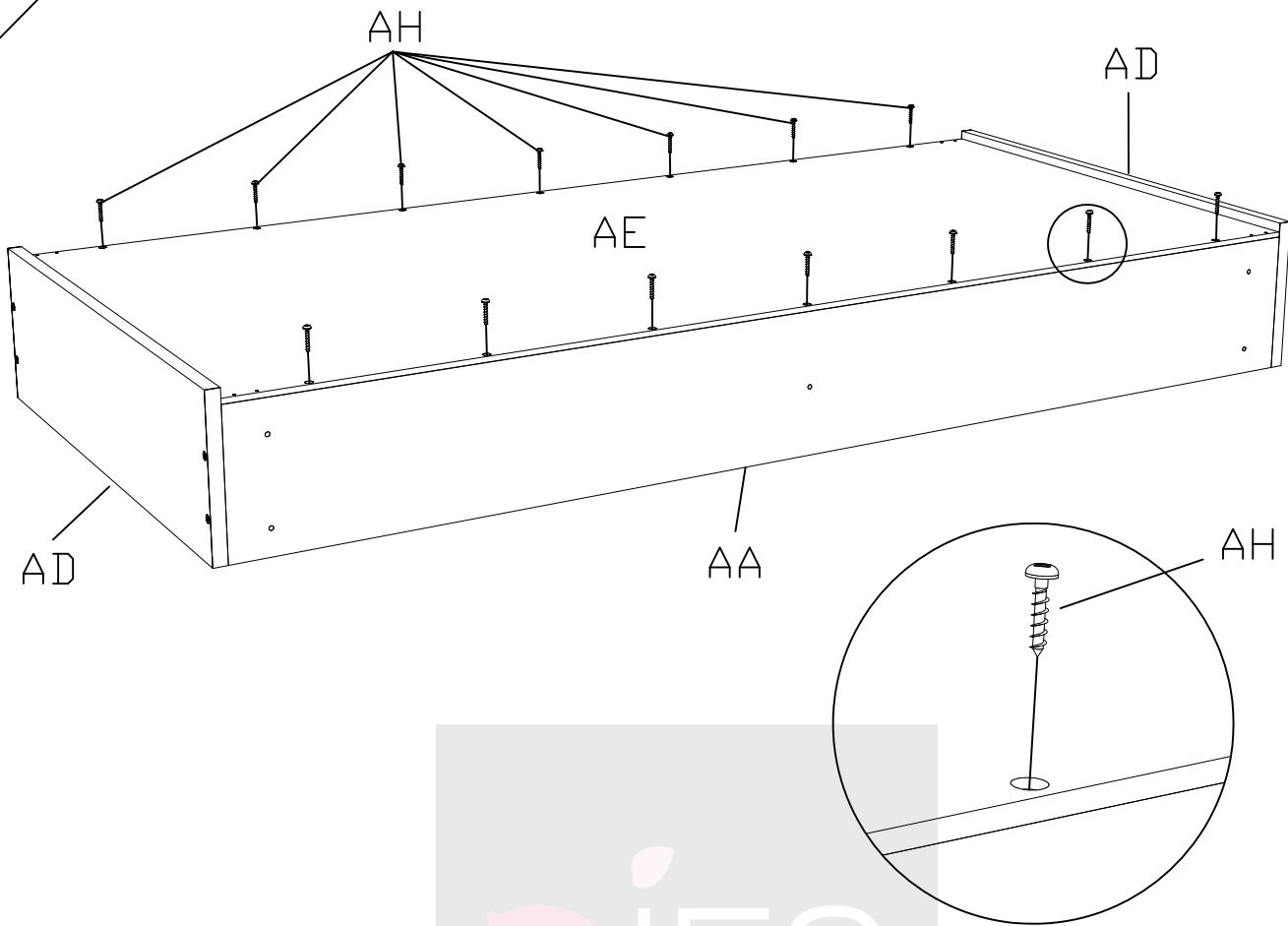


6.

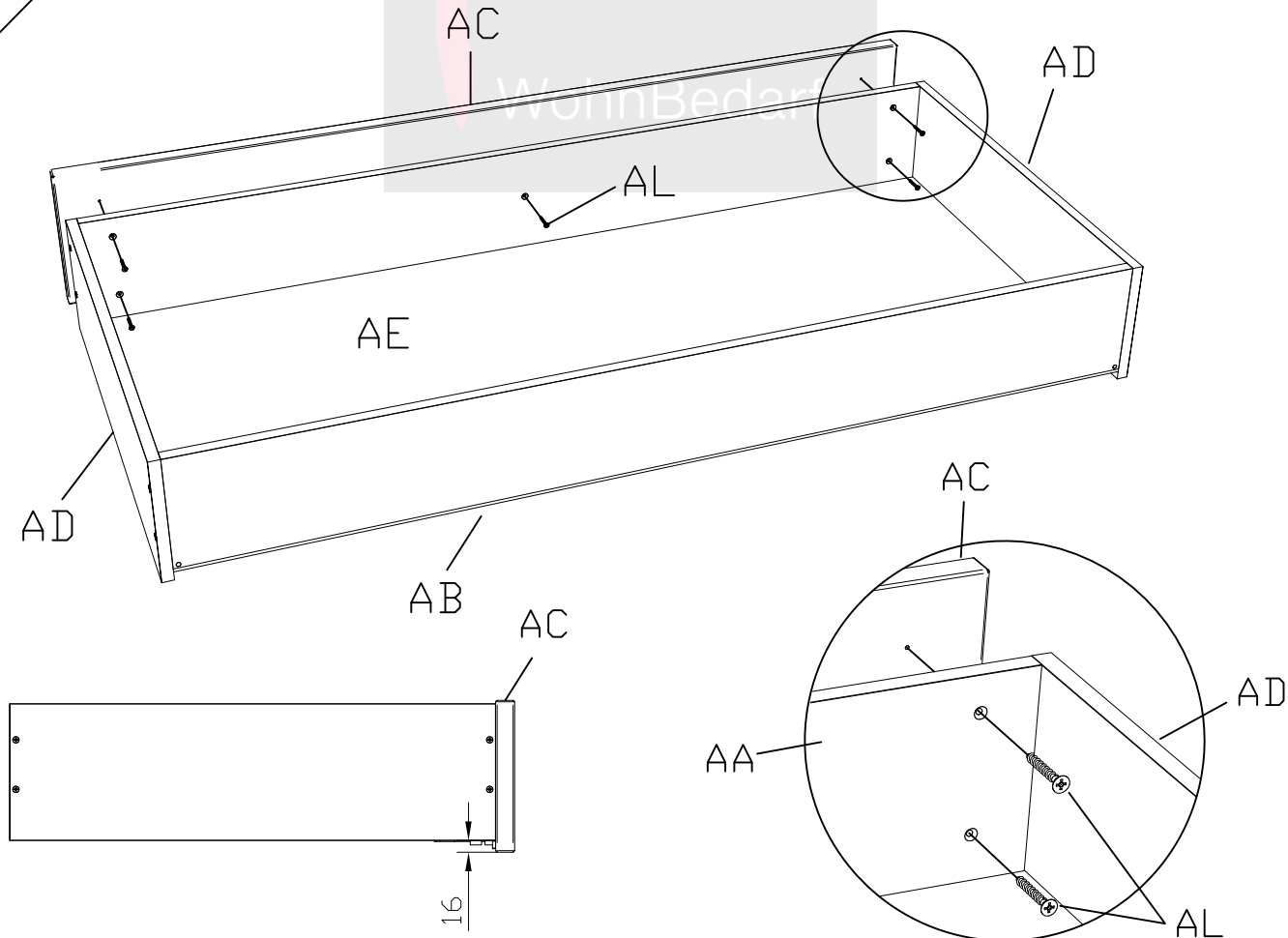


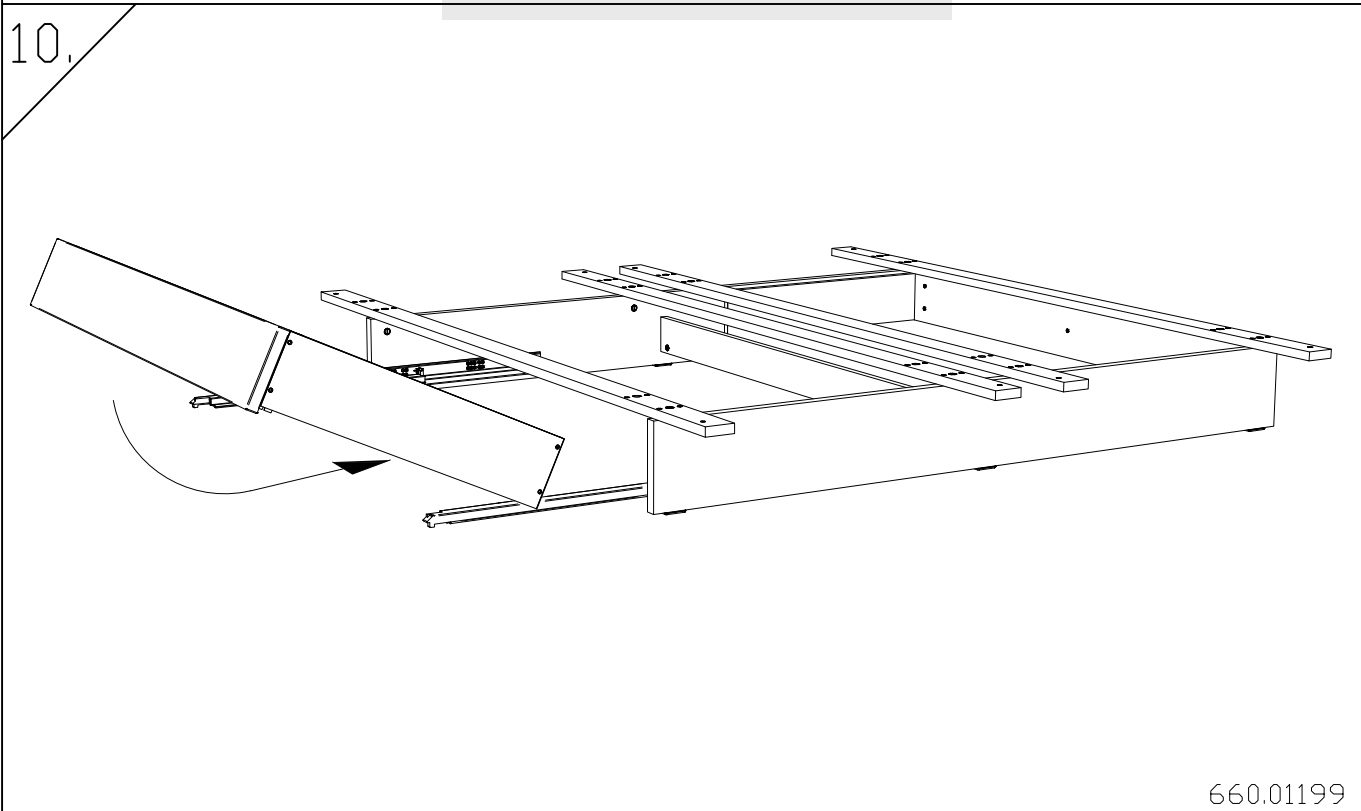
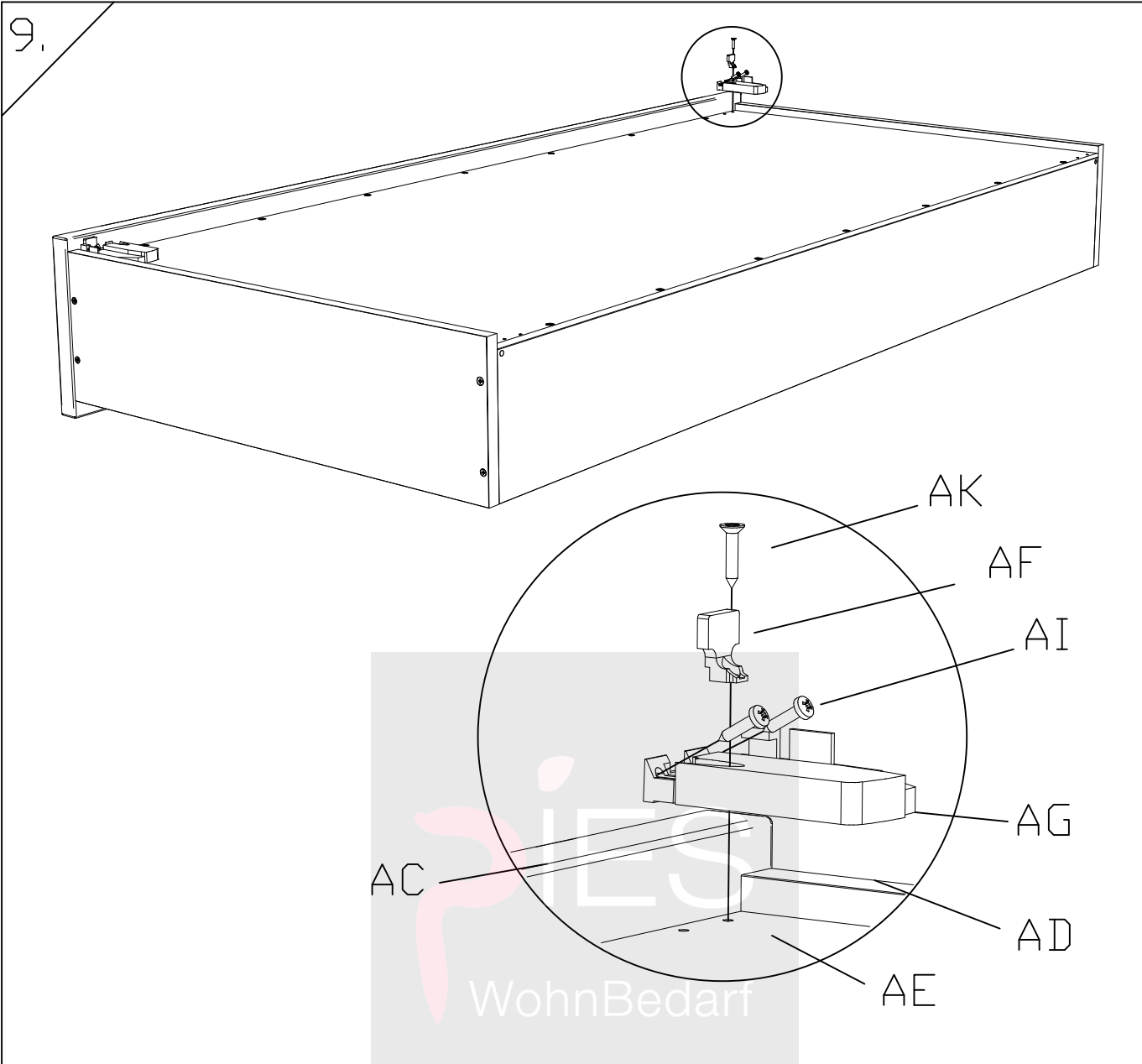
660.01199

7.



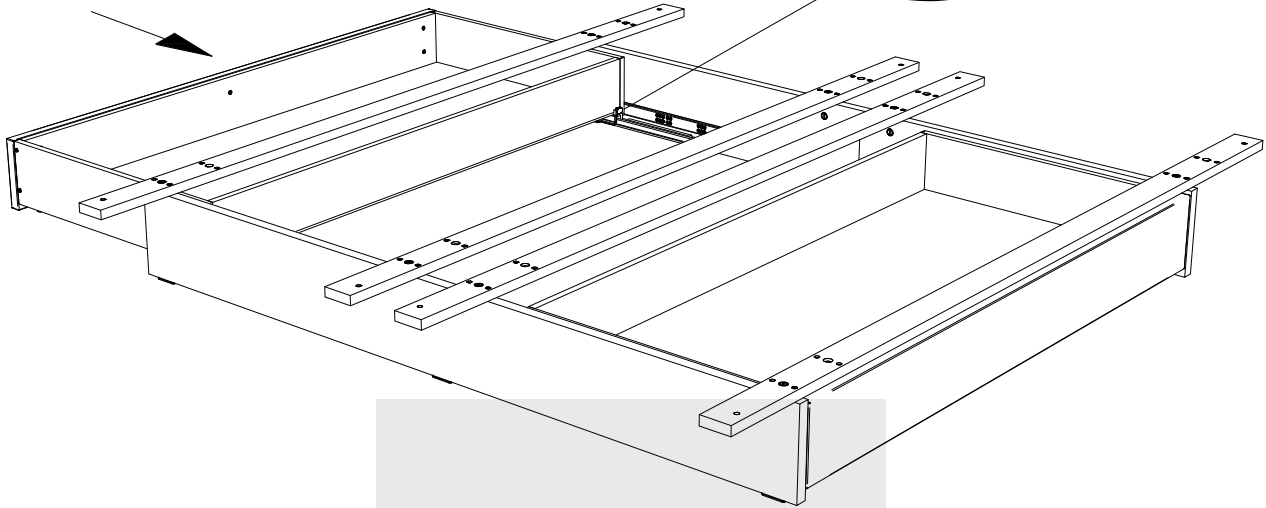
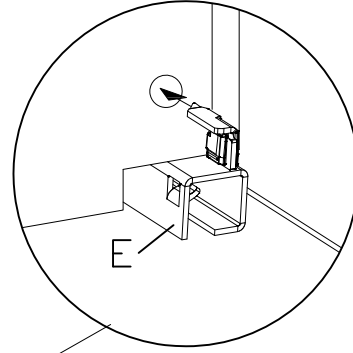
8.



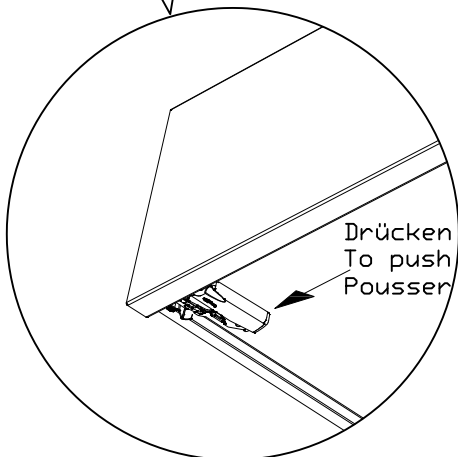
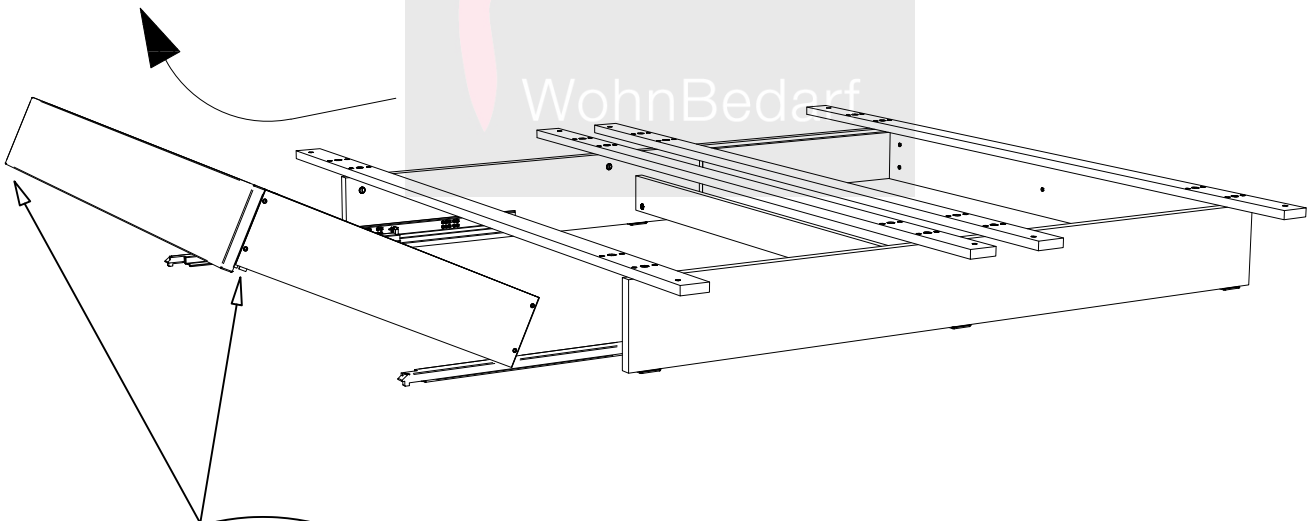


11.

CLIC



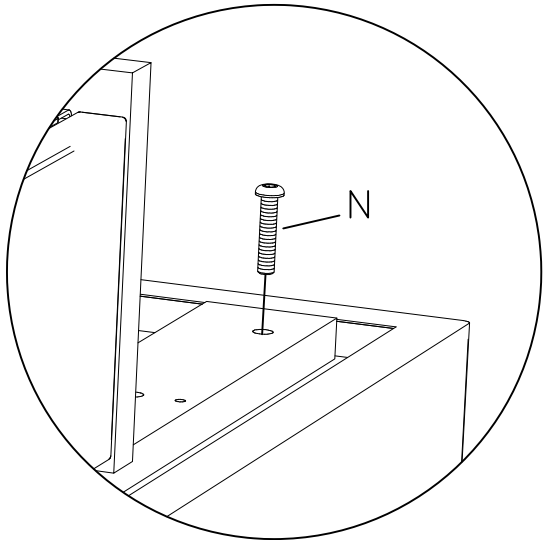
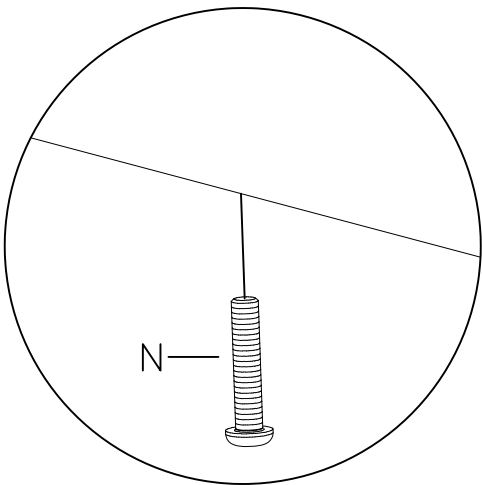
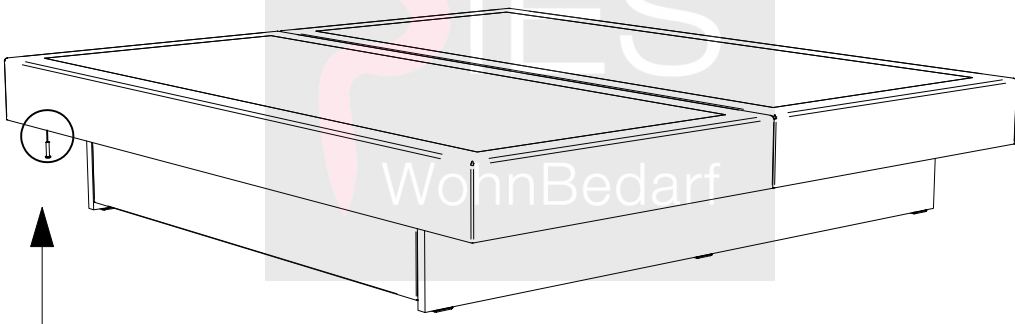
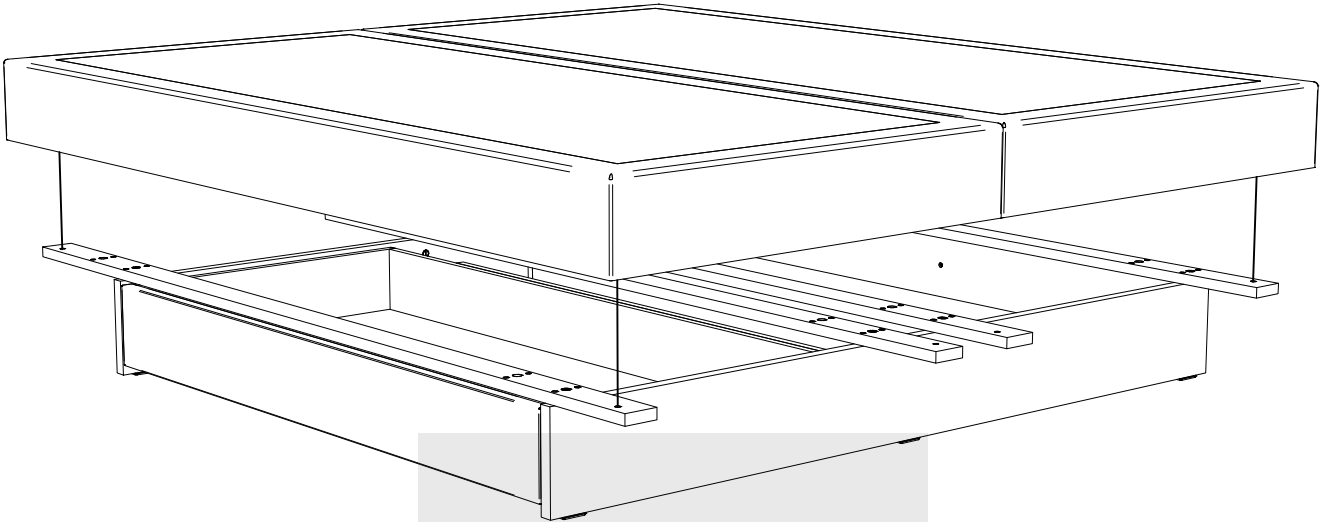
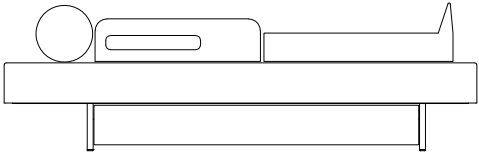
demontage / disassembly / démontage / smontaggio



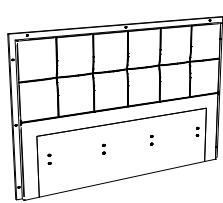


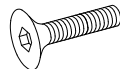
Schubladen herausziehen
Pull out drawers
Sortir les tiroirs

660.01199

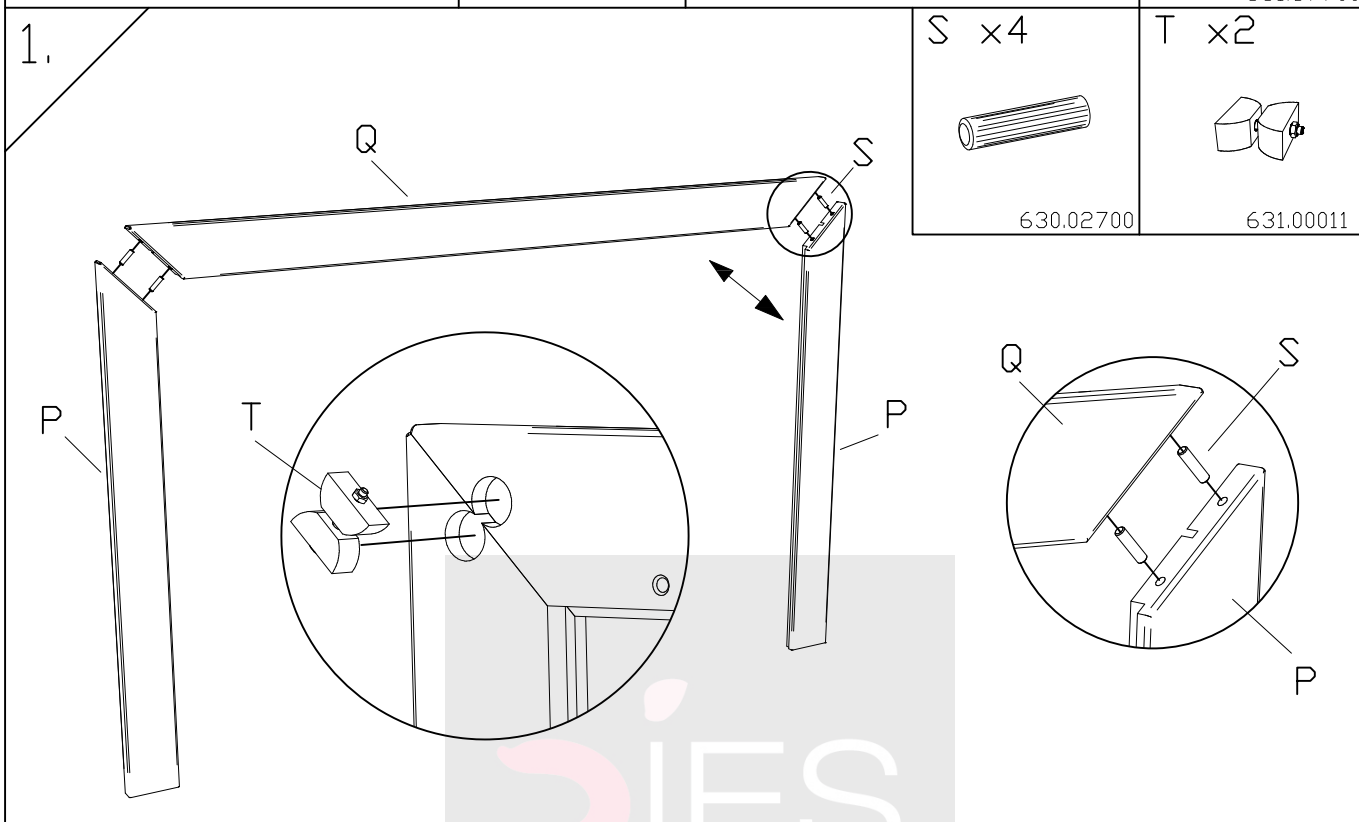
12.





660.01199

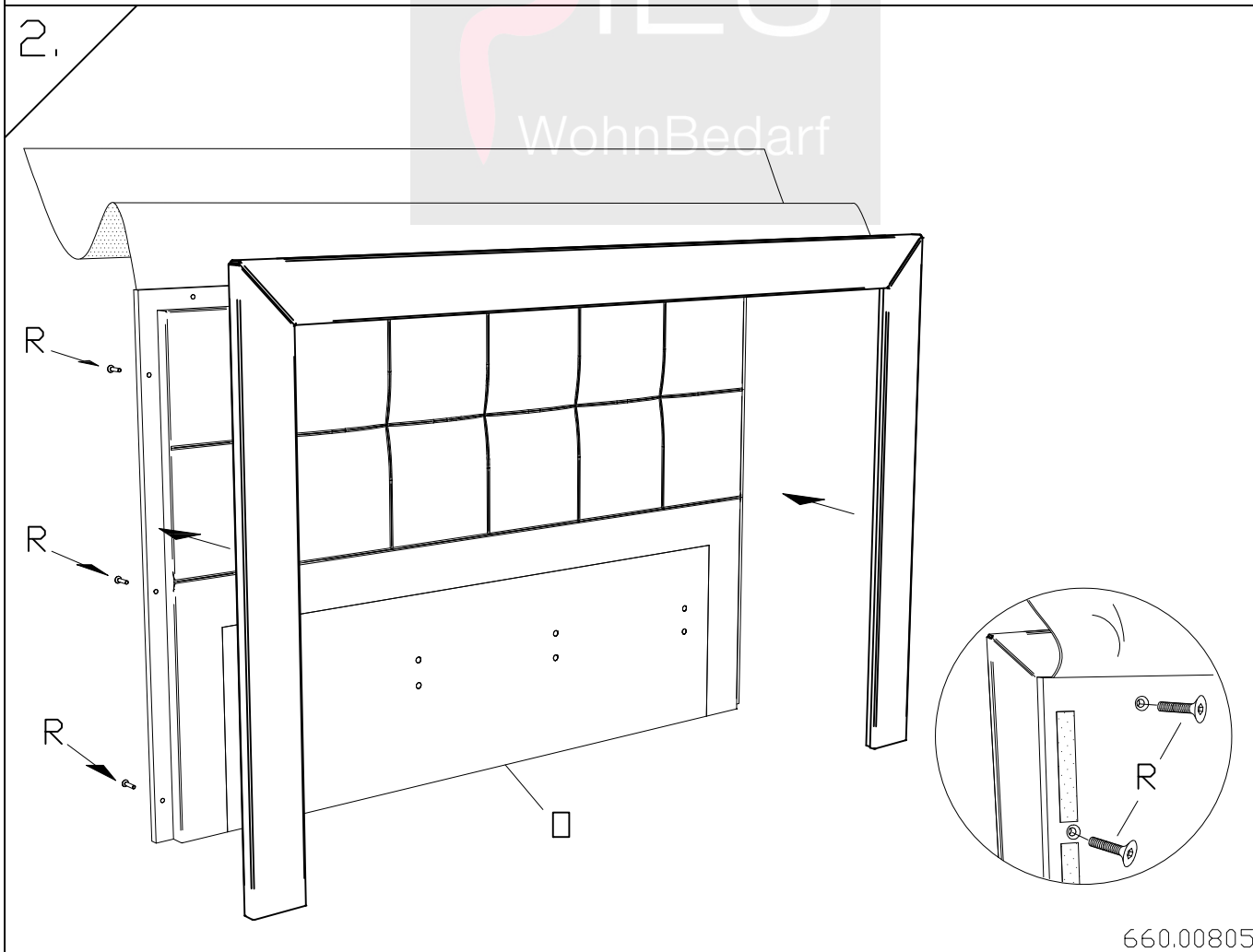
<p>□ x1</p> 	<p>P x1</p> 	<p>Q x1</p> 	<p>R x9 M8 x40</p>  <p>631.87700</p>
-----------------------------------------------------------------------------------------------	-----------------------------------------------------------------------------------------------	------------------------------------------------------------------------------------------------	-----------------------------------------------------------------------------------------------------------------------------

1.



<p>S x4</p>  <p>630.02700</p>	<p>T x2</p>  <p>631.00011</p>
------------------------------------------------------------------------------------------------------------------	------------------------------------------------------------------------------------------------------------------

2.



660.00805

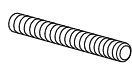
1 sektorig / 1 sector / 1 secteur / 1 settore

U x4



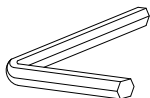
631.887

V x4



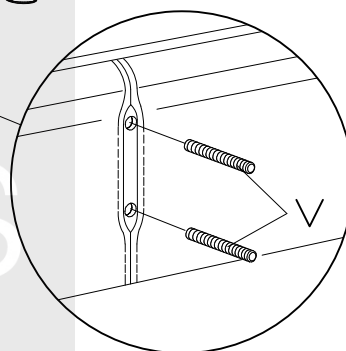
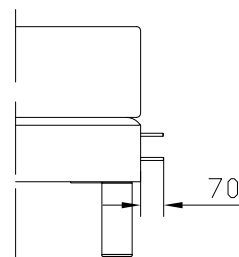
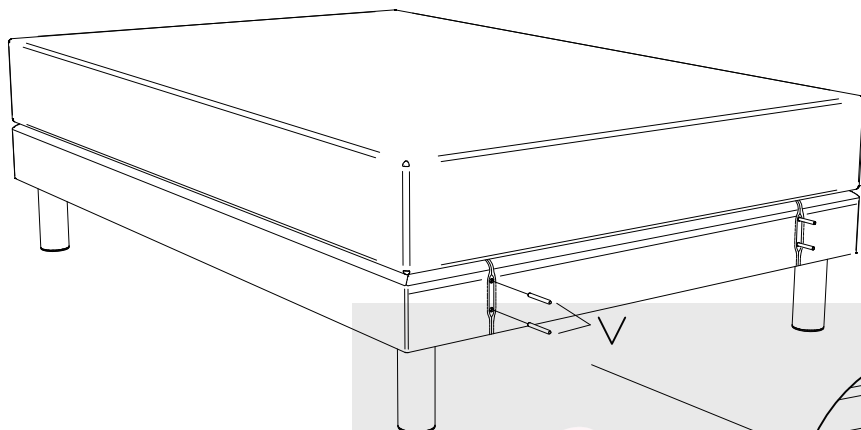
631.012

Z x1

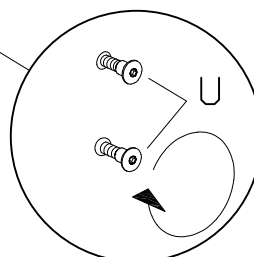
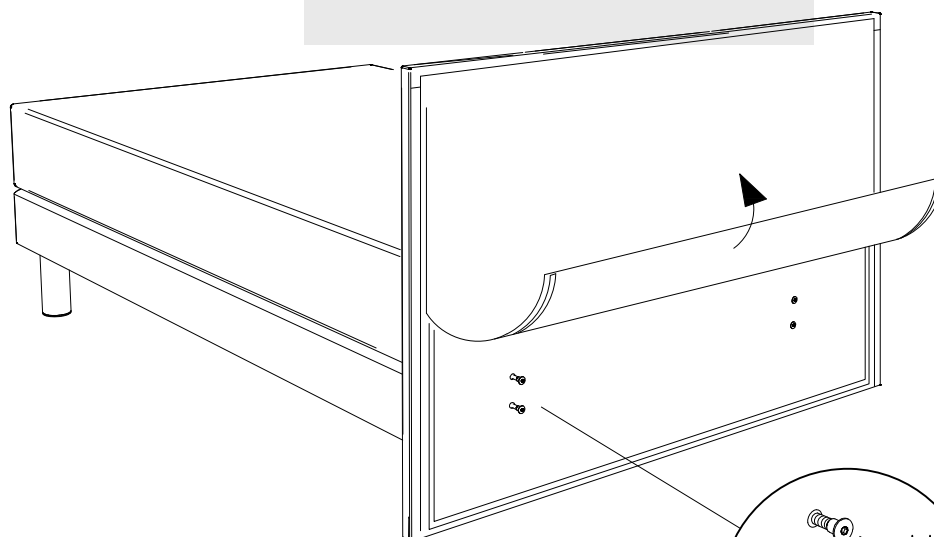


631.100

15.



16.



660.01199

2 sektorig / 2 sector / 2 secteur / 2 settore

U x8



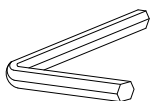
631.887

V x8



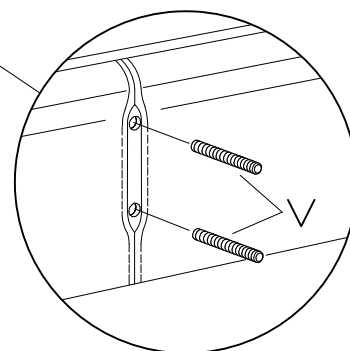
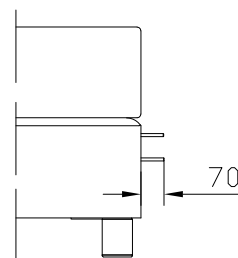
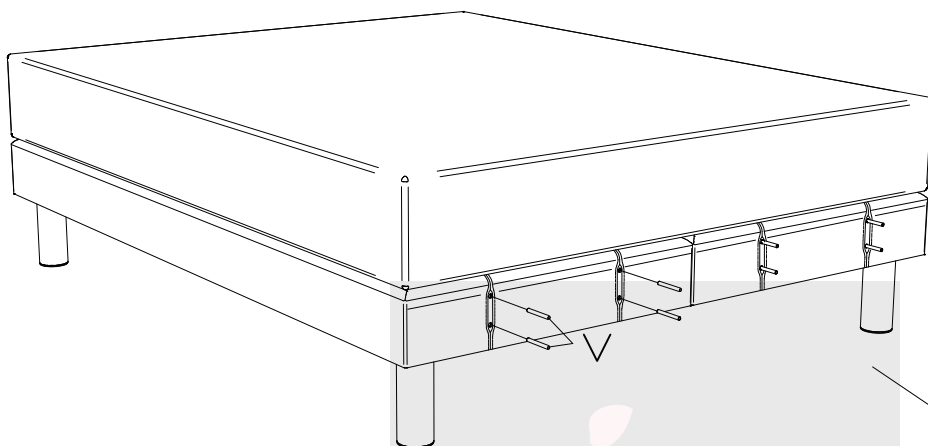
631.012

Z x1

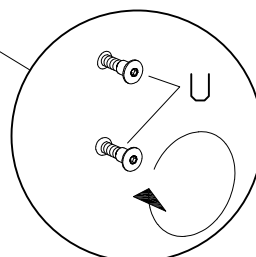
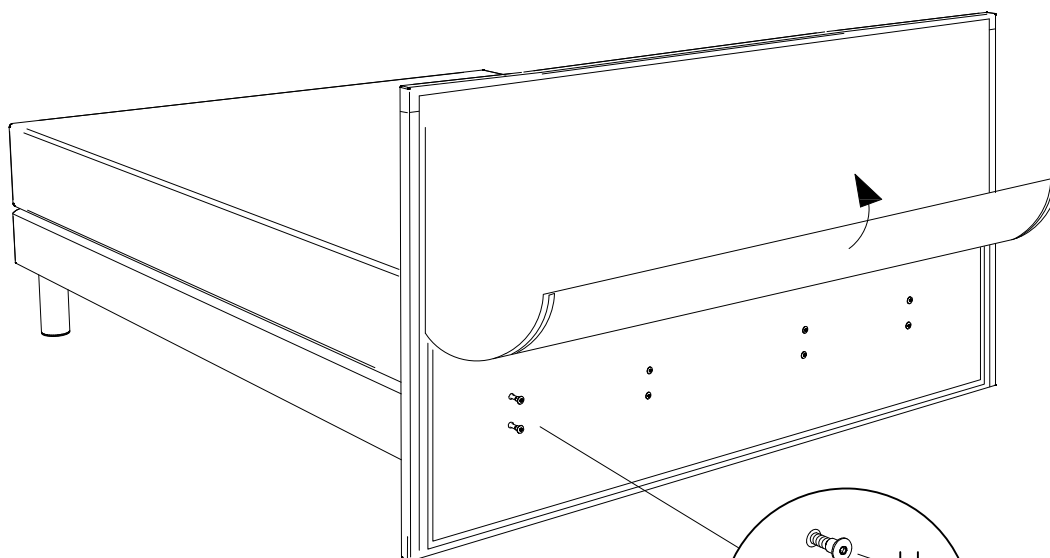


631.100

15.



16.



660.01199