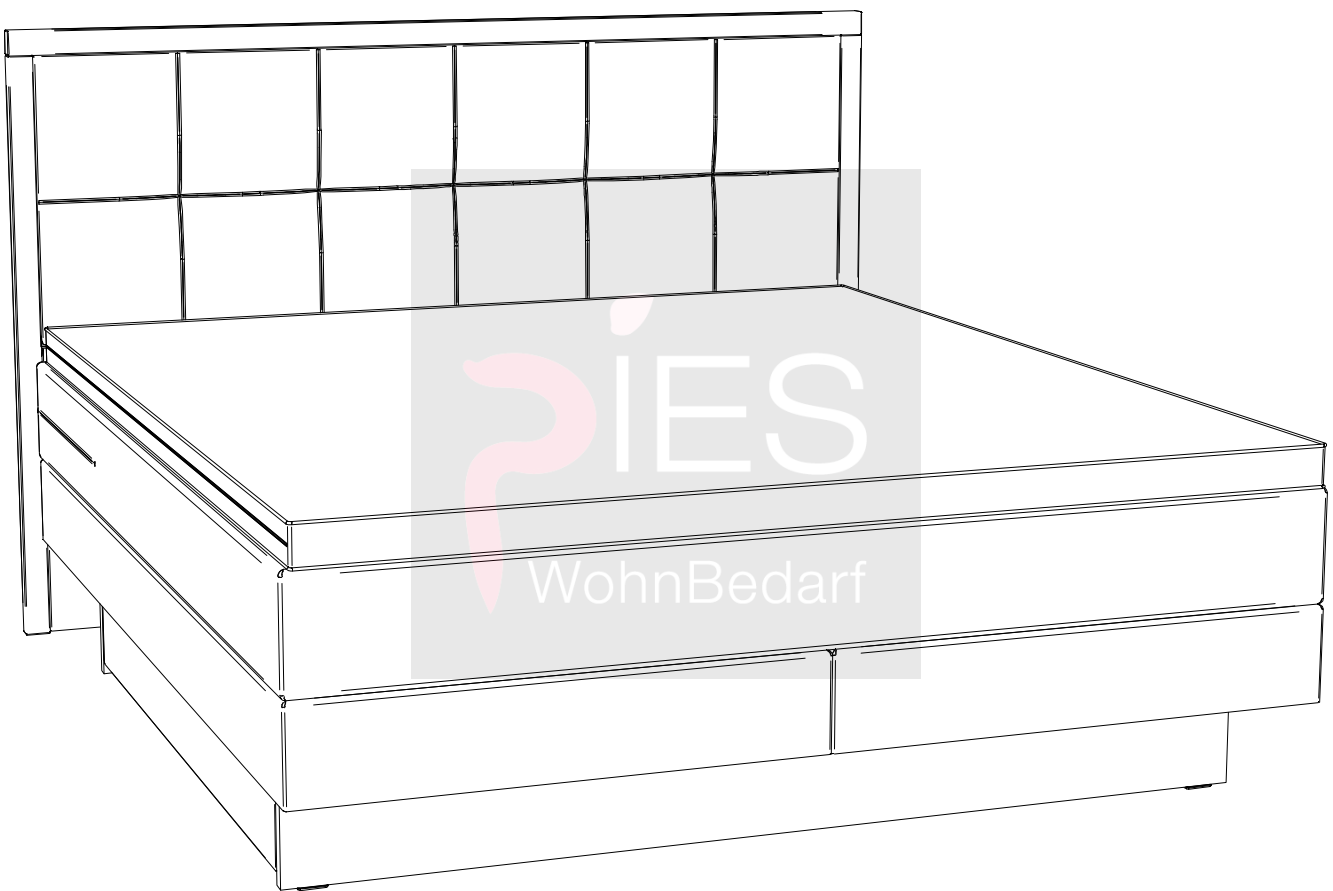




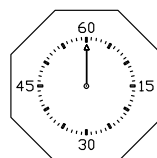
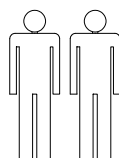
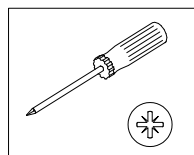
MONTAGEANLEITUNG
NOTICE DE MONTAGE
ASSEMBLY INSTRUCTION
ISTRUZIONE DI MONTAGGIO



Ottawa

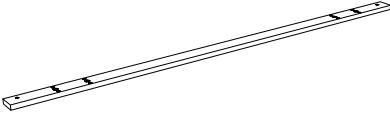
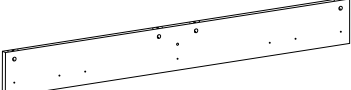

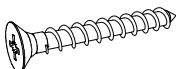
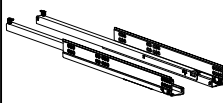
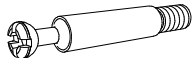
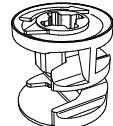
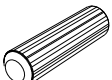
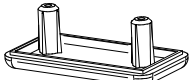
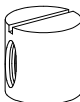
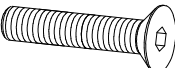

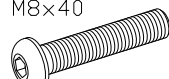



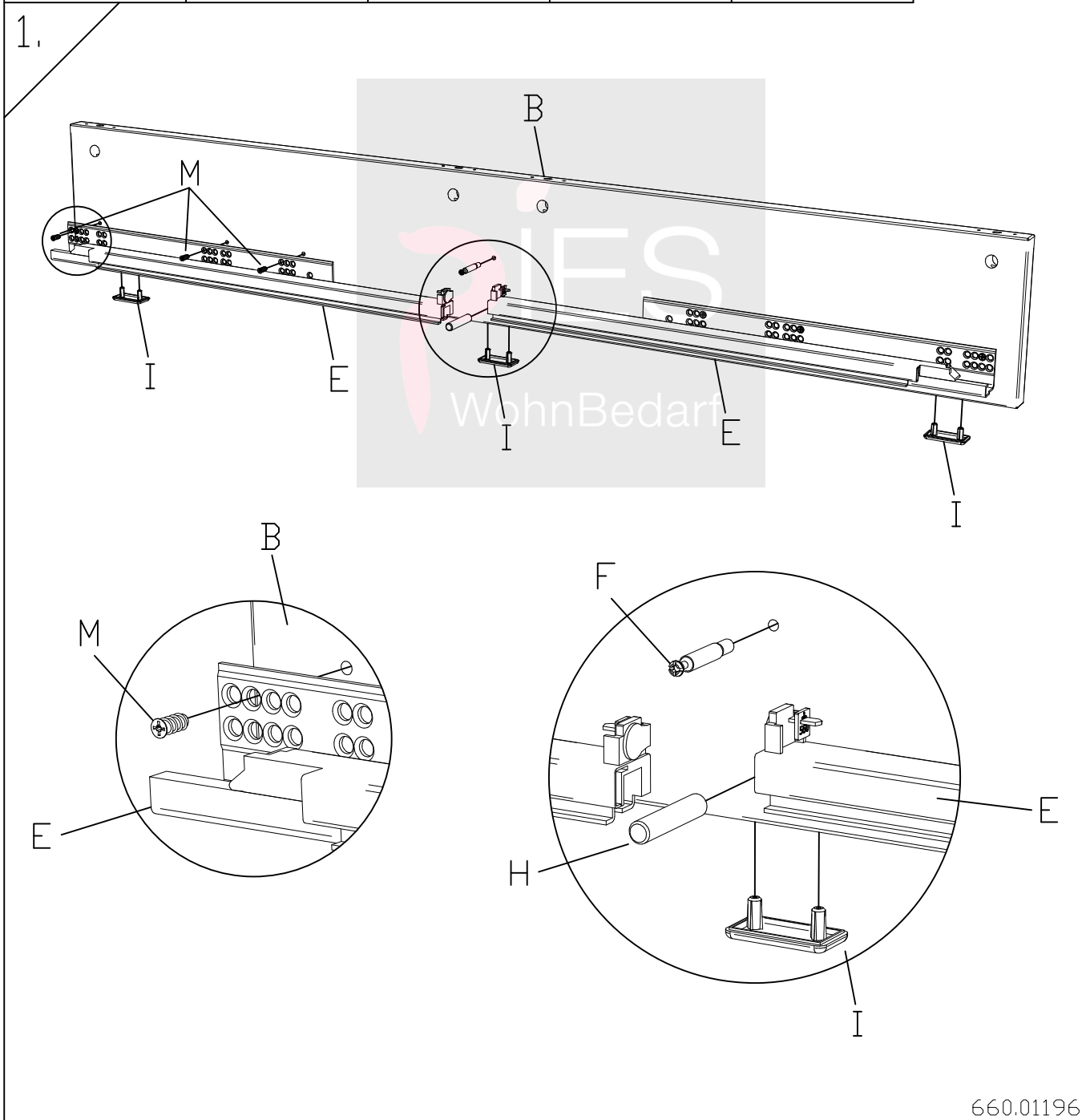
Benötigte Werkzeuge – Outils Nécessaires – Tools Required – Attrezzi Necessari



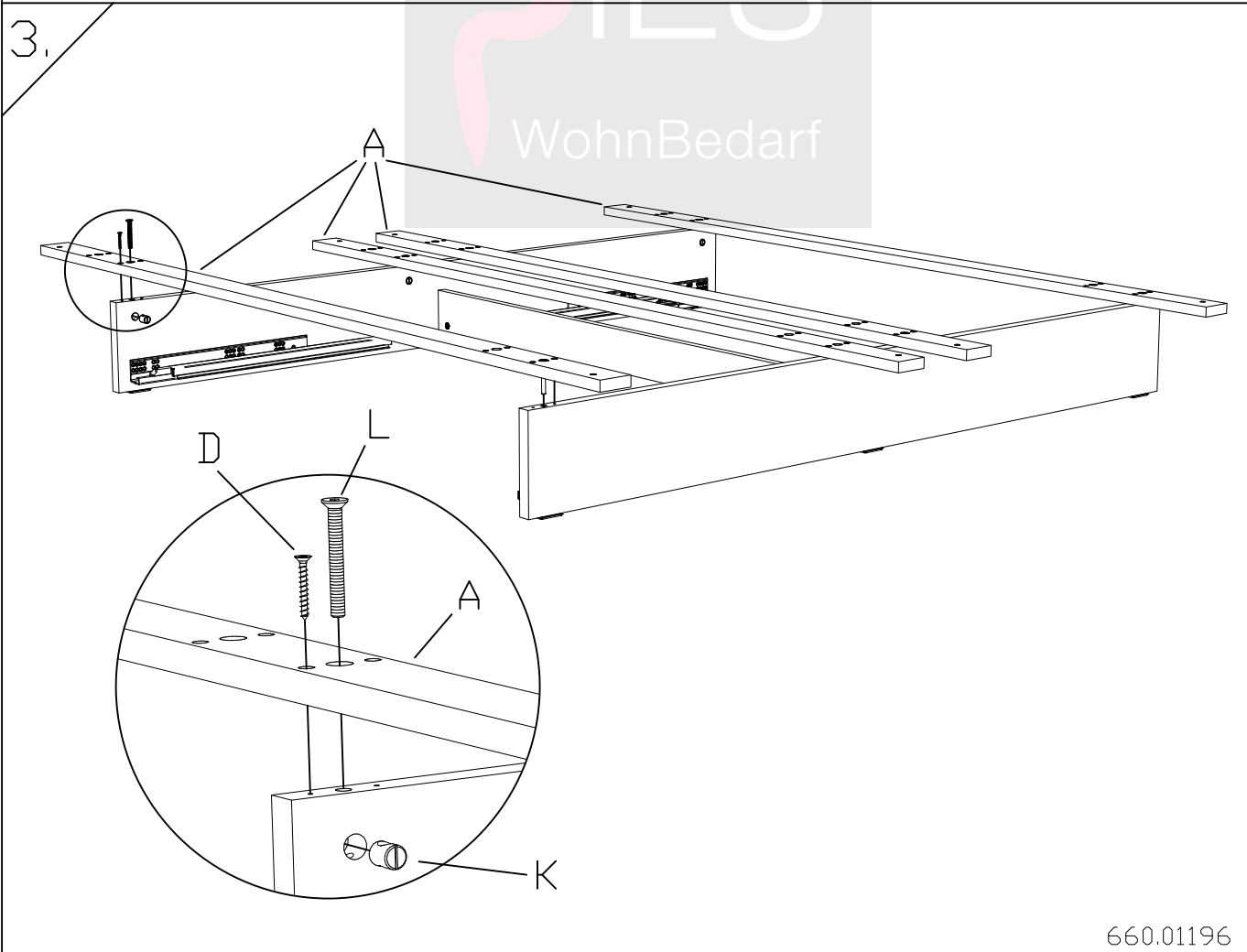
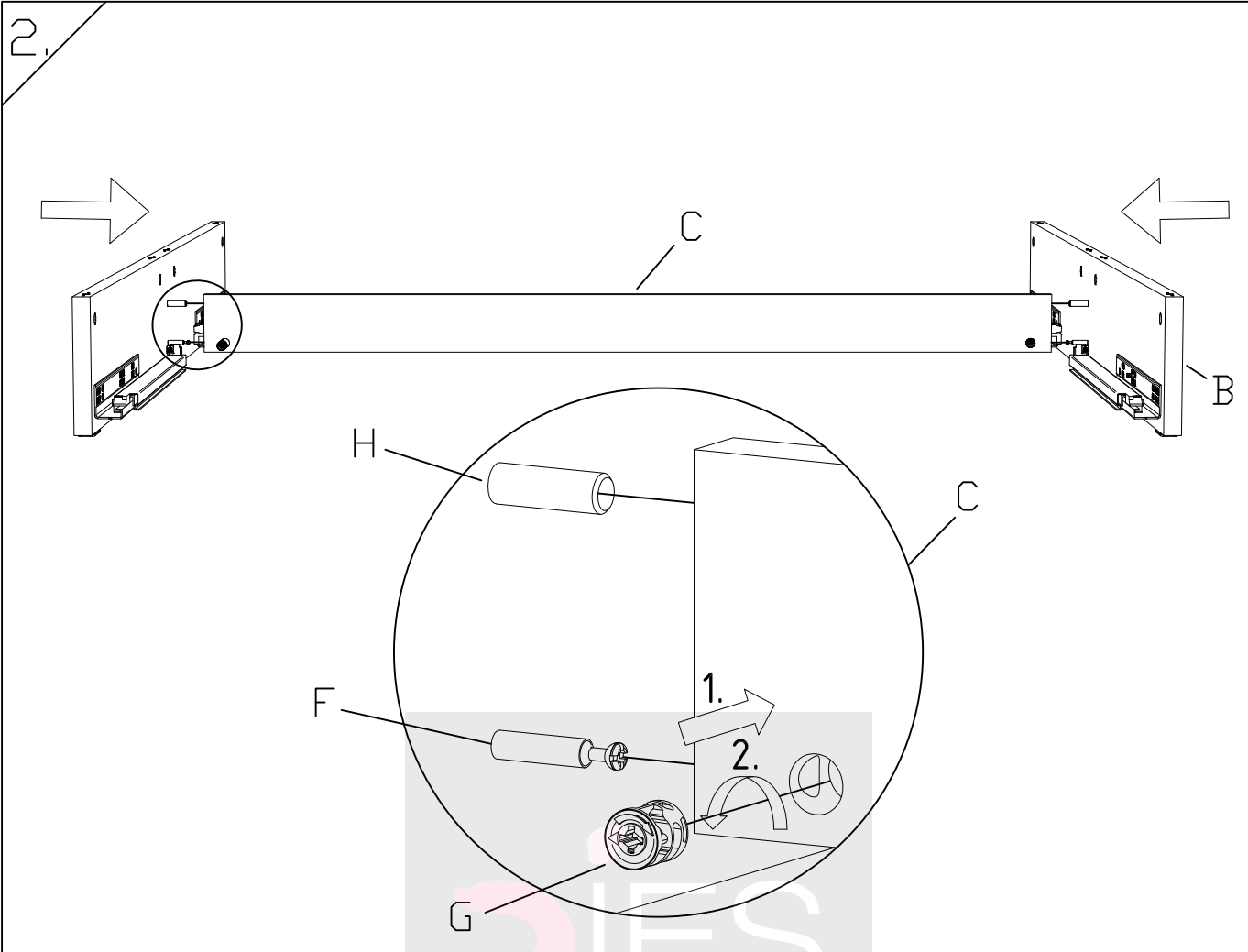
01.10.2021

660.01196

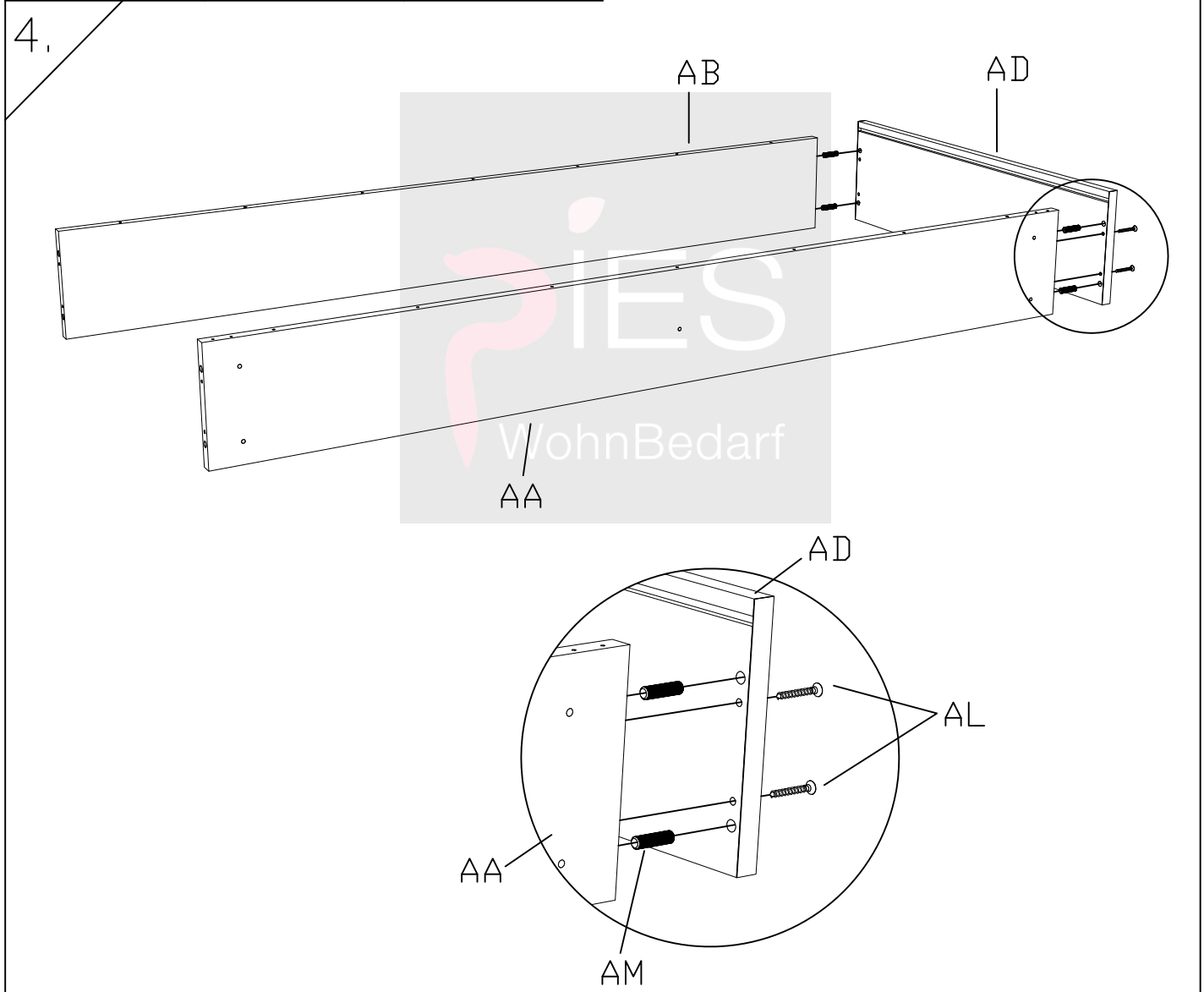
A x4 		B x2 		C x1  749.871	
D x8 Ø4.5x35  631.346	E x4  2xL 629.00094 2xR 629.00095	F x2 Ø7x34  631.06400	G x2  631.00005	H x2 Ø10x50  630.02400	I x6  630.37016
K x8  631.611	L x8 M8x60  631.004	M x12  631.06100	N x4 M8x40  631.112	Z x1 SW6  631.103	

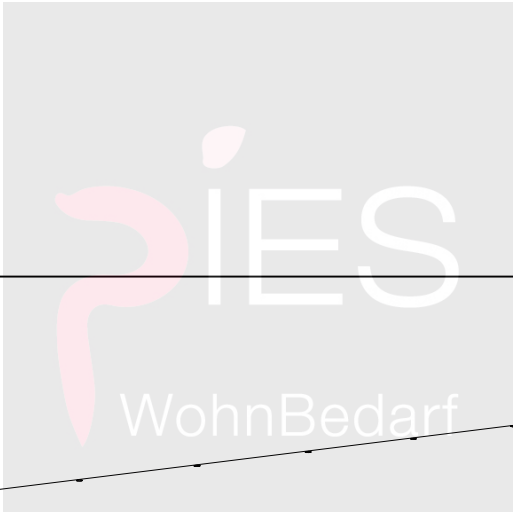
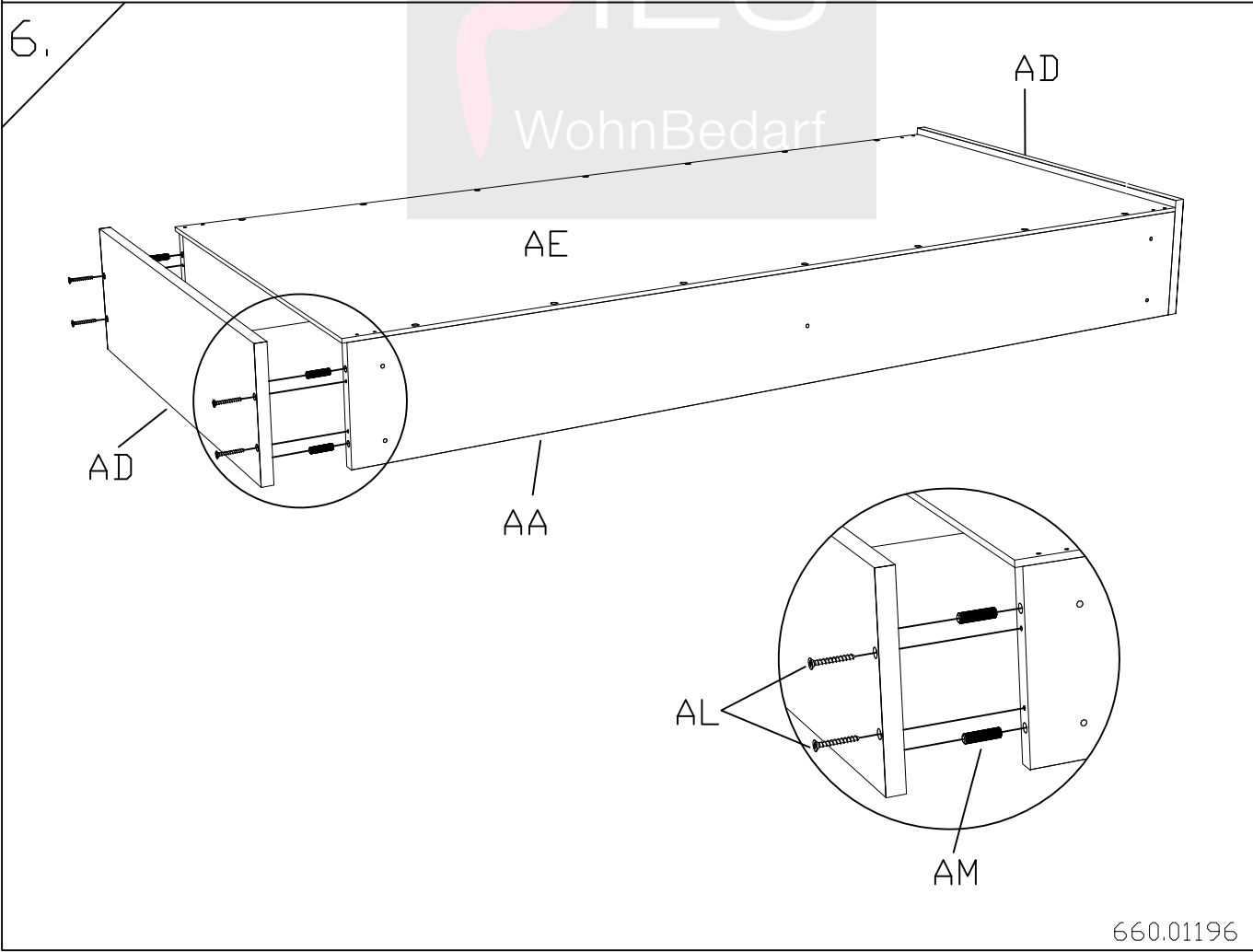
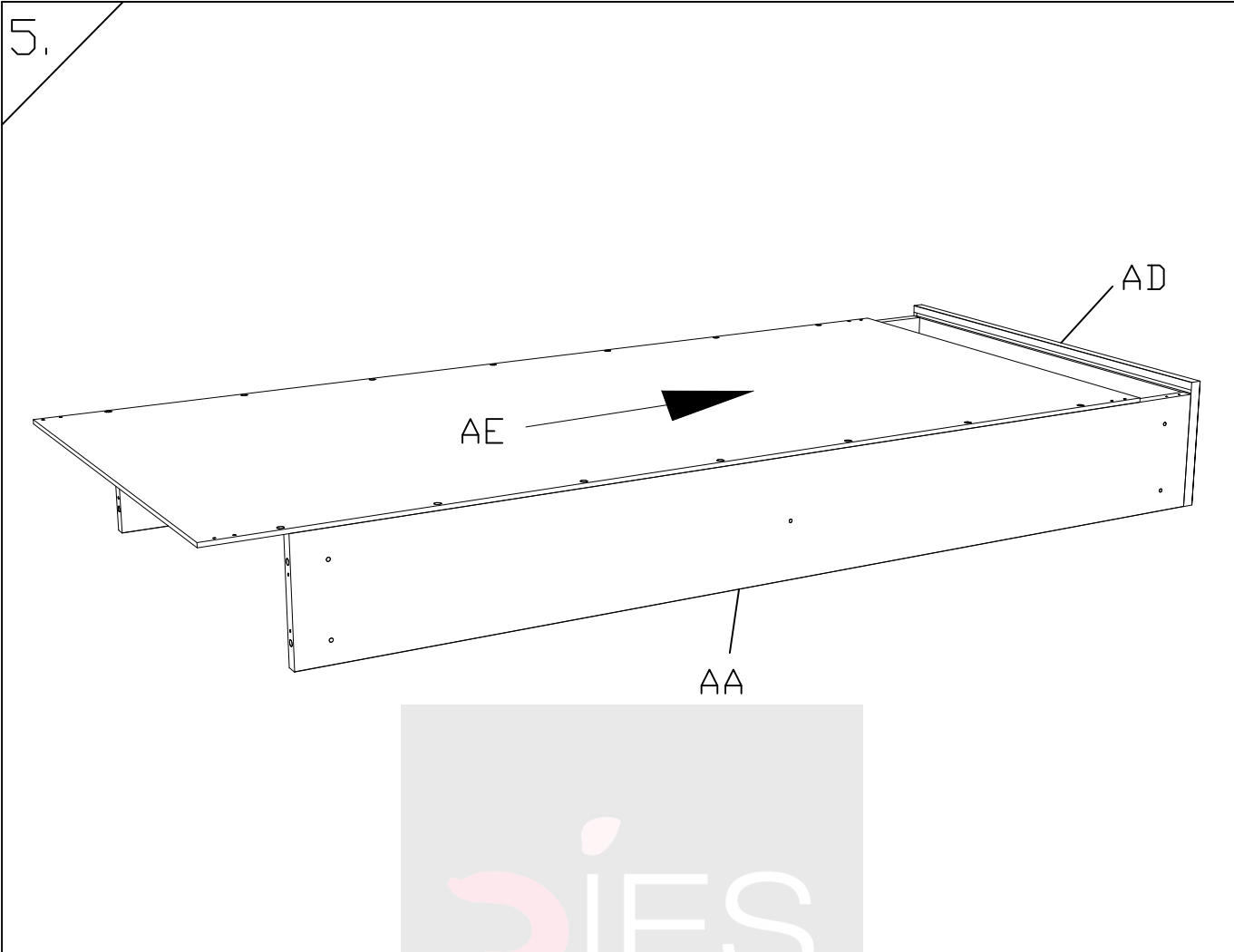


660.01196

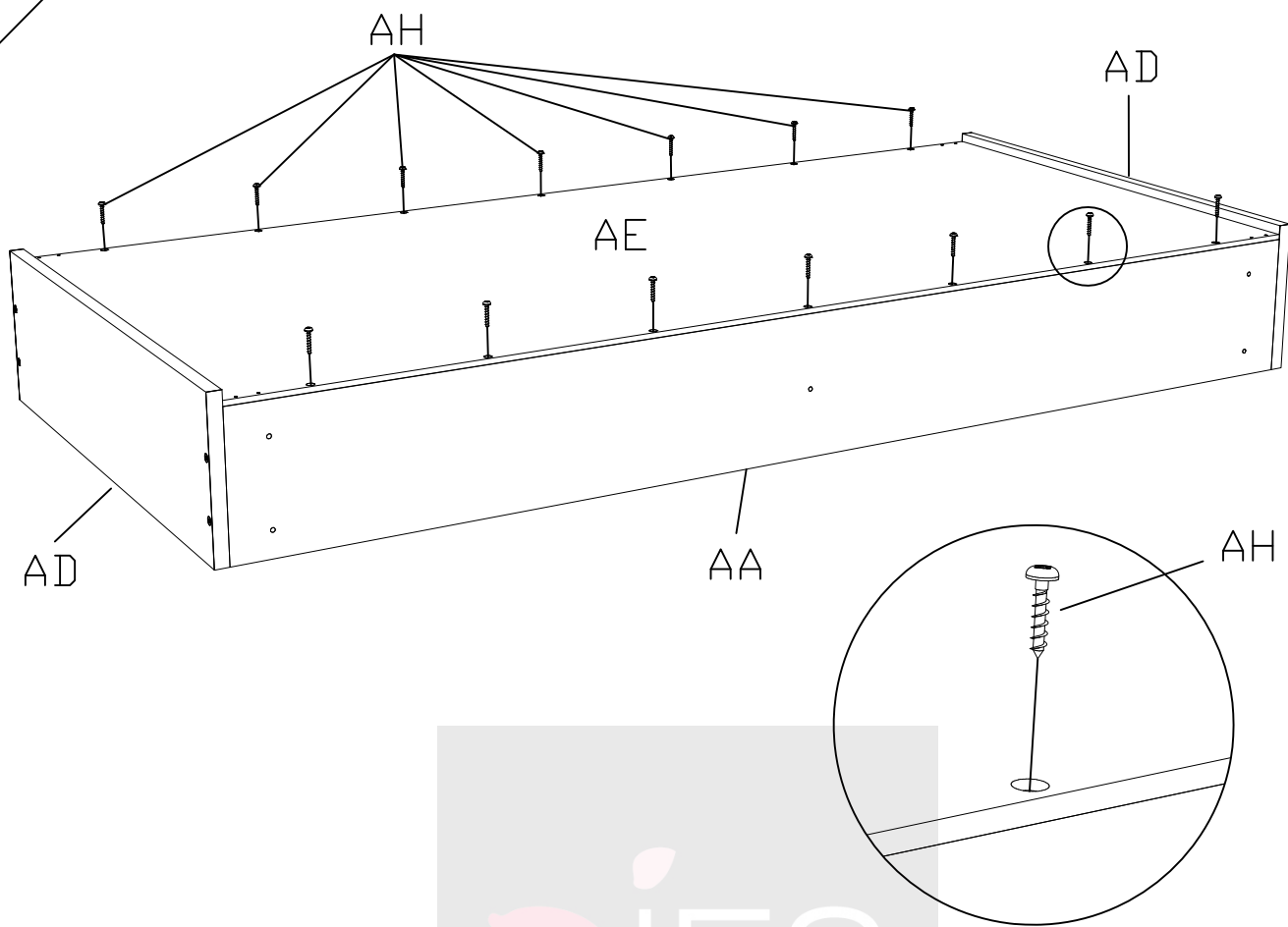


<p>AA 1x</p> <p>749.886</p>		<p>AB x1</p> <p>749.888</p>		<p>AC x1</p> <p>749.872</p>	
<p>AD x2</p> <p>749.887</p>	<p>AE x1</p> <p>749.889</p>	<p>AF x2</p> <p>629.00111</p>	<p>AG x2</p> <p>li 629.00096 re 629.00097</p>	<p>AH x14</p> <p>Ø4x25</p> <p>631.30900</p>	<p>AI x4</p> <p>Ø4x12</p> <p>631.1630</p>
<p>AK x2</p> <p>Ø3.5x20</p> <p>631.300</p>	<p>AL x13</p> <p>Ø4x35</p> <p>631.346</p>	<p>AM x8</p> <p>Ø8x30</p> <p>630.021</p>			

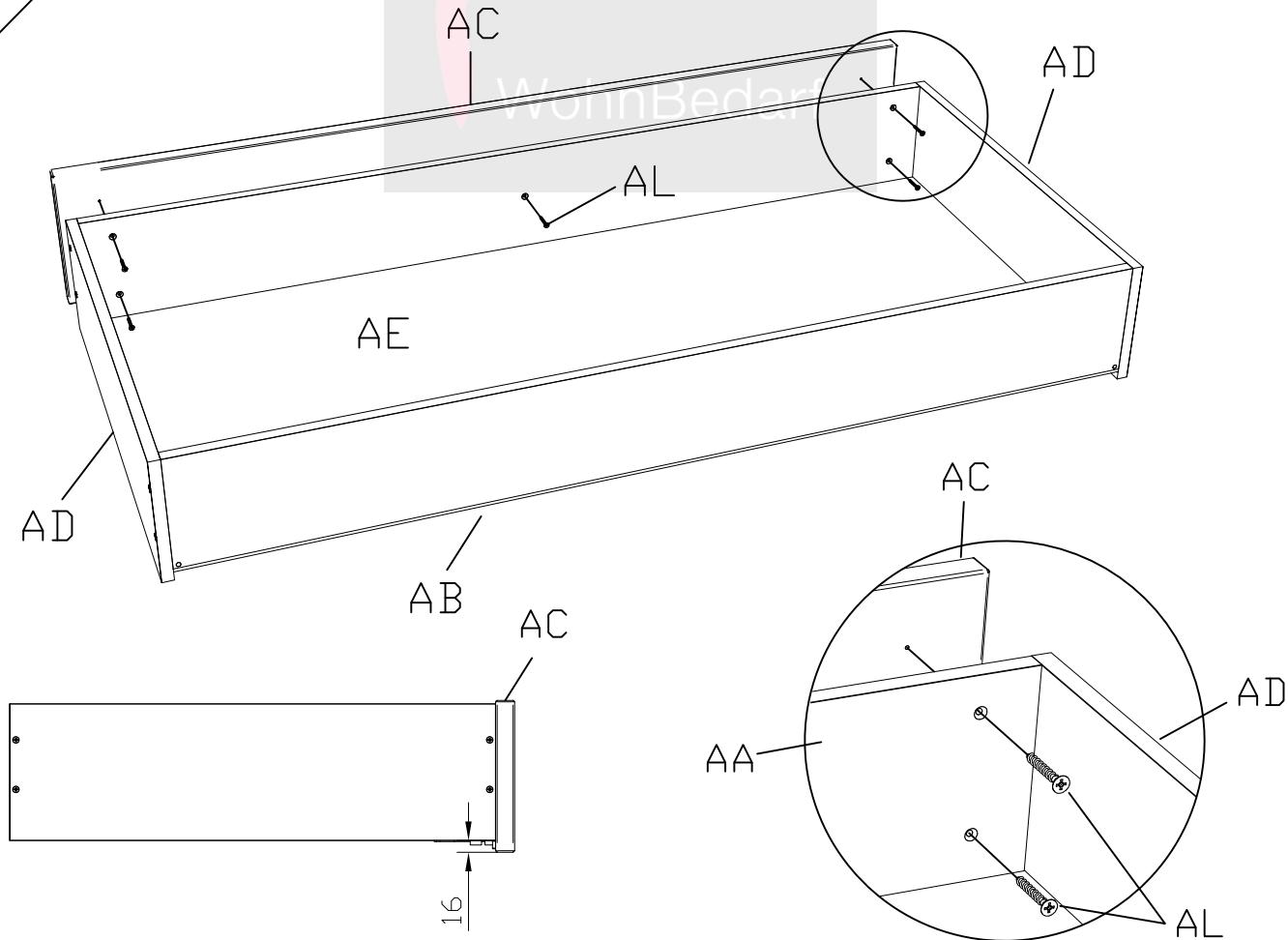




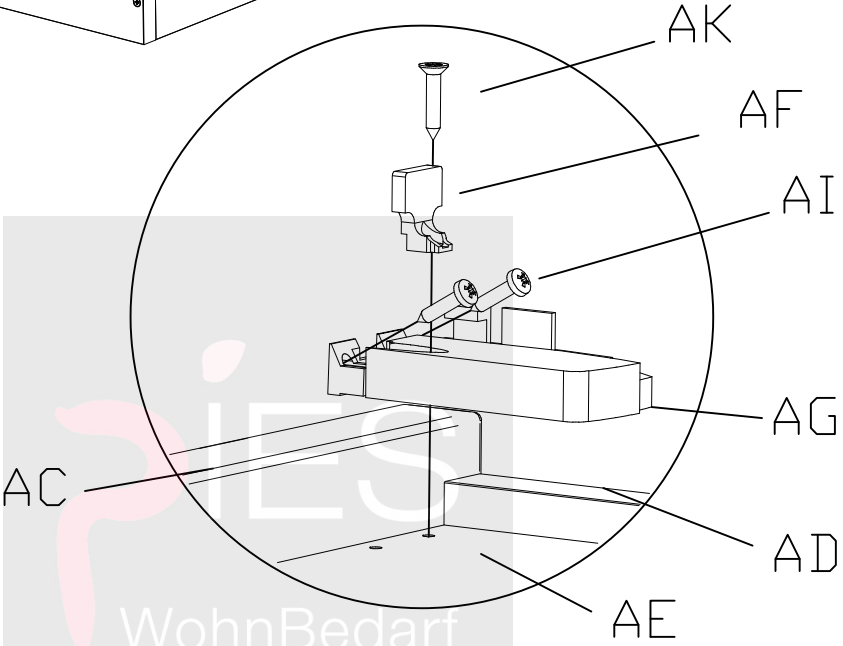
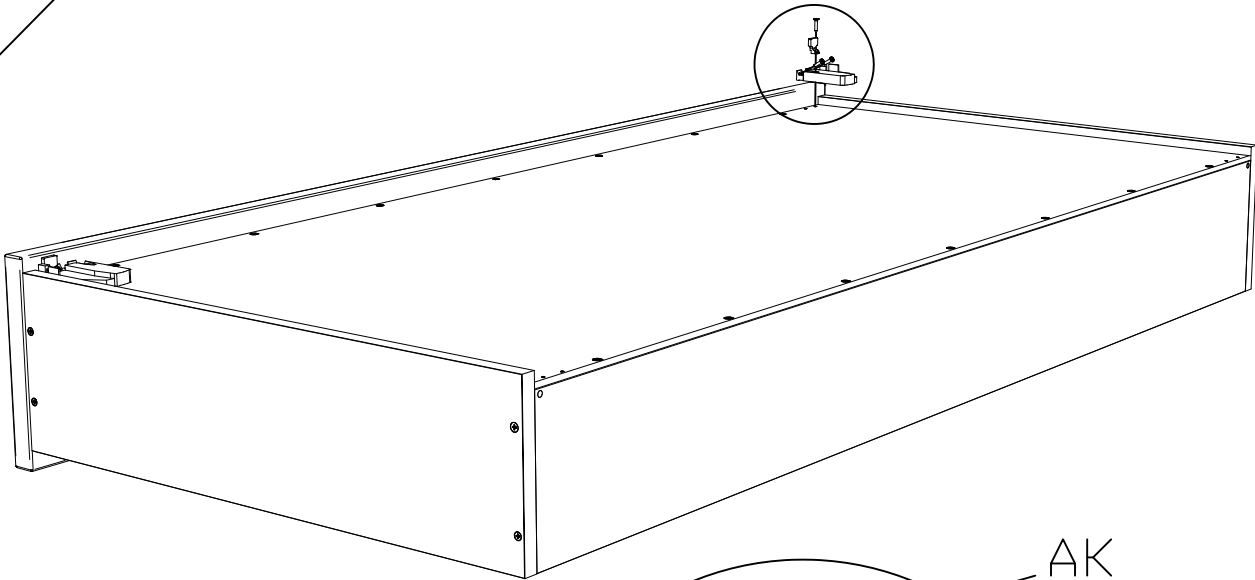
7.



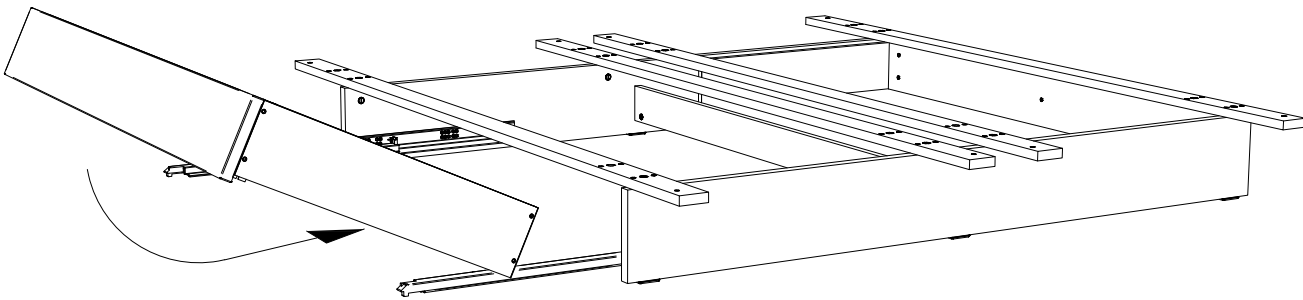
8.



9.

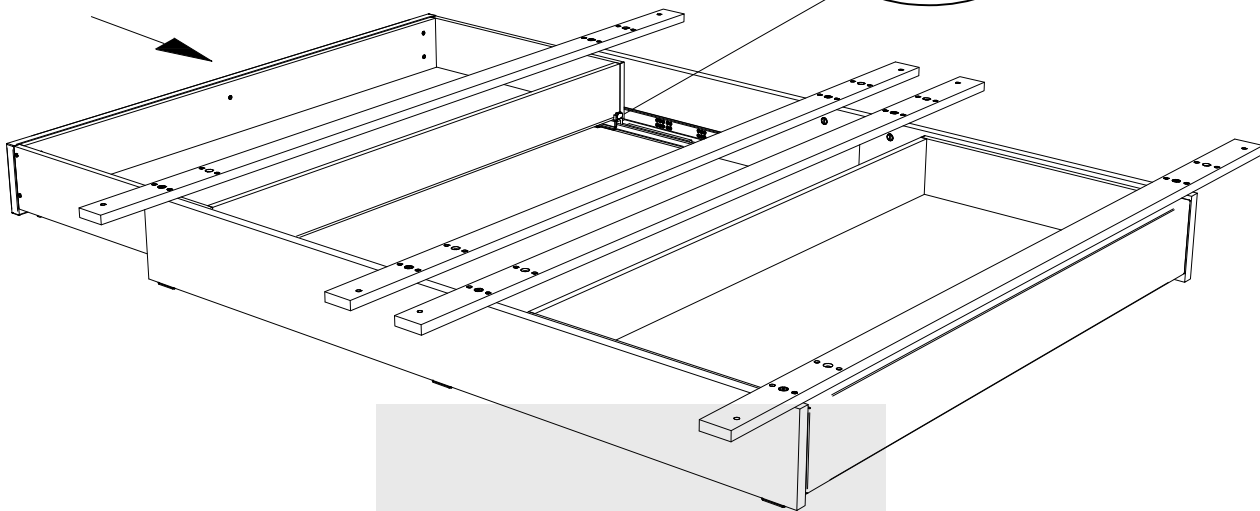
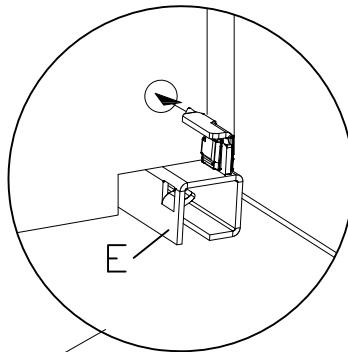


10.

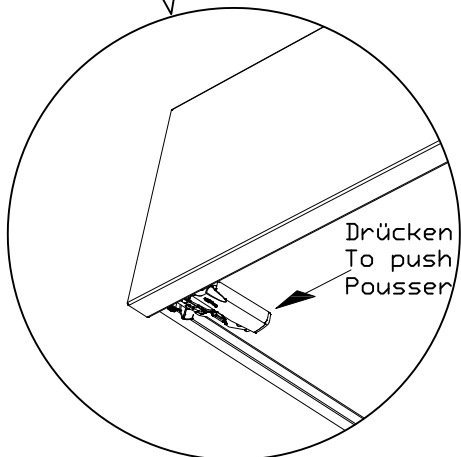
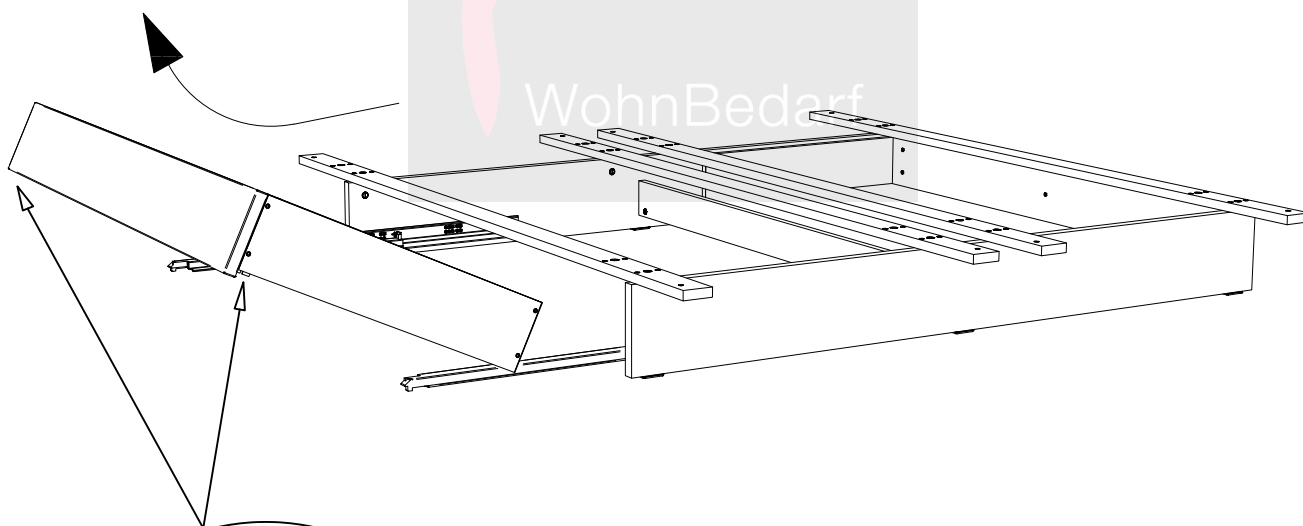


11.

CLIC



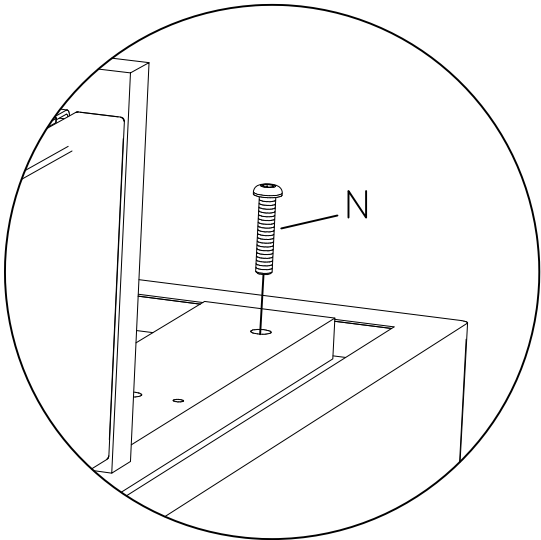
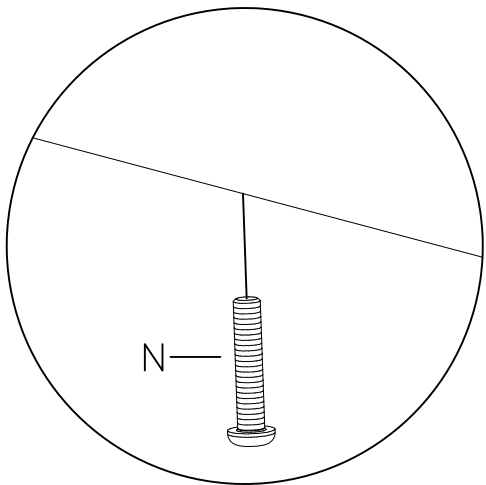
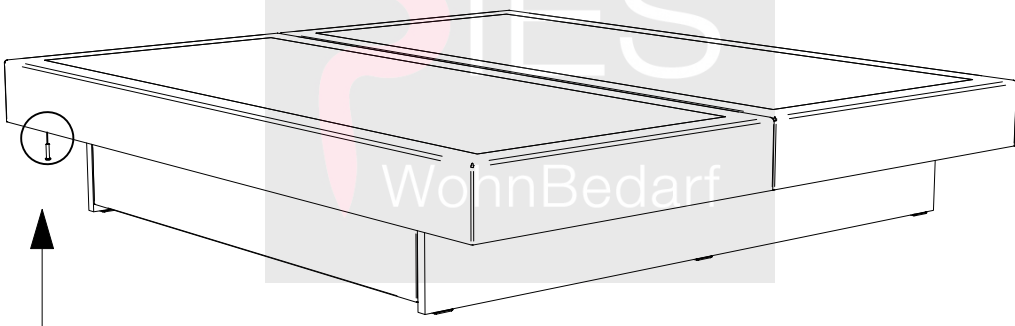
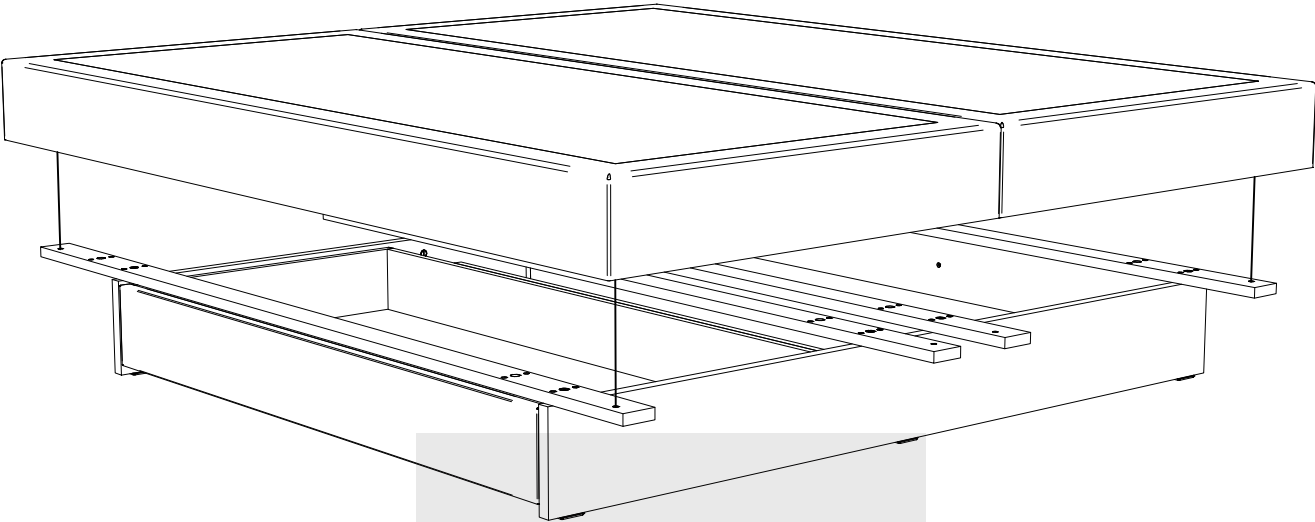
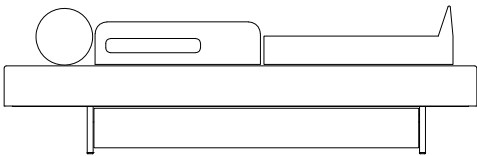
demontage / disassembly / démontage / smontaggio



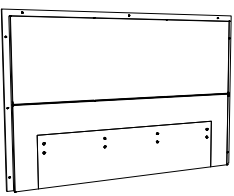


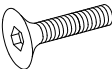
Schubladen herausziehen
Pull out drawers
Sortir les tiroirs

660.01196

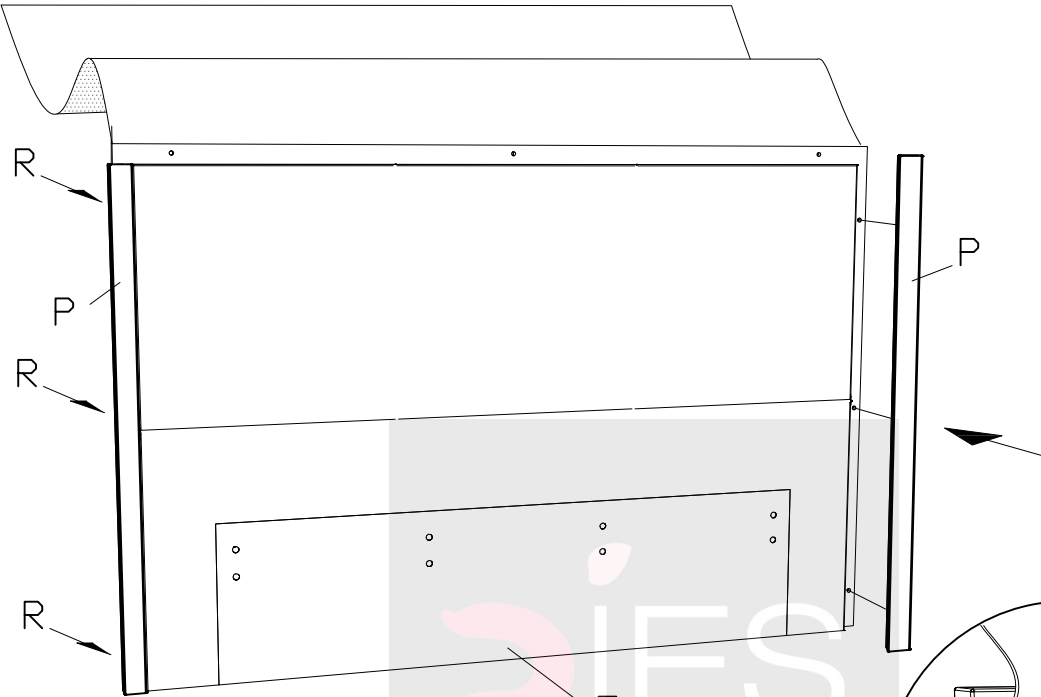
12.



660.01196

\square x1 	P x1 	Q x1 	R x9 M8 x40  631.87700
---------------------------------------------------------------------------------------------------	-------------------------------------------------------------------------------------------	--------------------------------------------------------------------------------------------	--------------------------------------------------------------------------------------------------------------------

13.




R

P

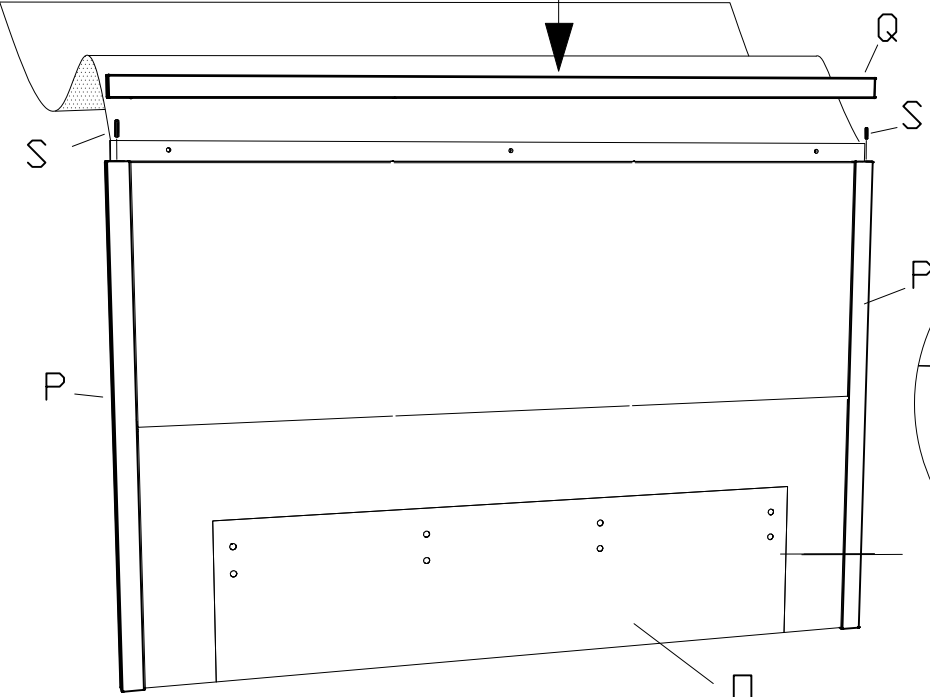
R

R

P

S x2

630.02700

14.



Q

S

S

P

P

Q

S

P

660.01196

1 sektorig / 1 sector / 1 secteur / 1 settore

T x4



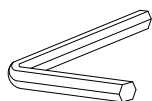
631.887

U x4



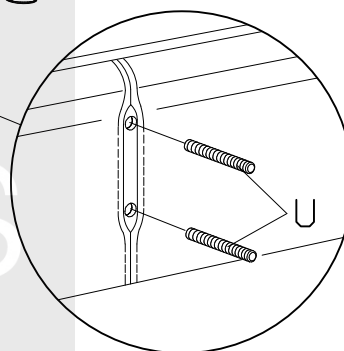
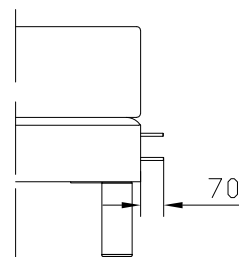
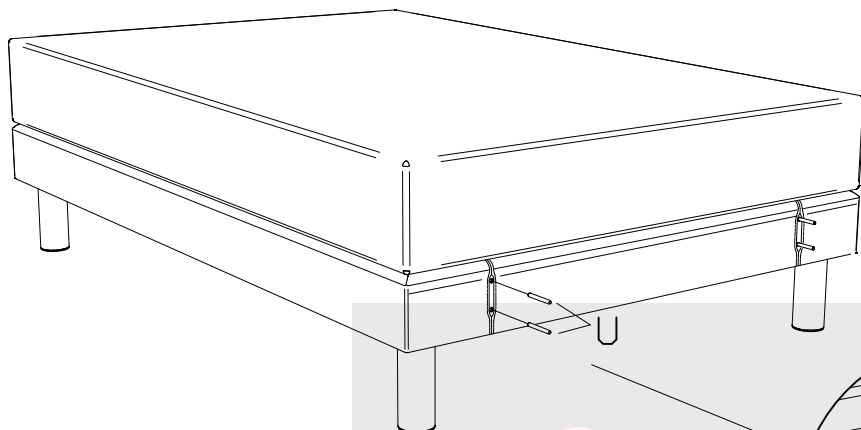
631.012

Z x1

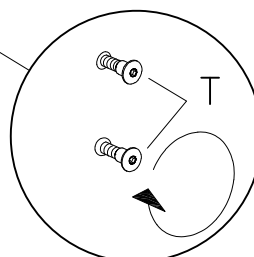
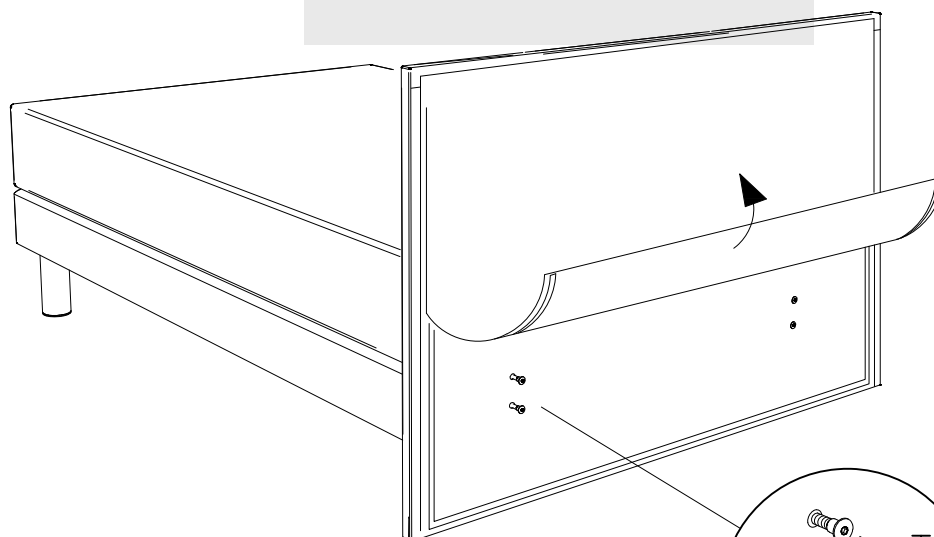


631.100

15.



16.



660.01196

2 sektorig / 2 sector / 2 secteur / 2 settore

T x8



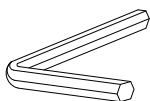
631.887

U x8



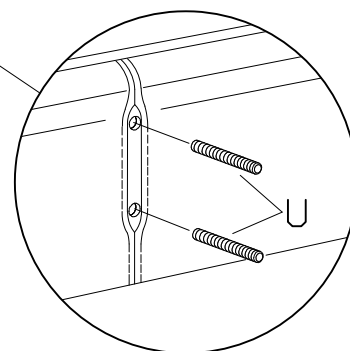
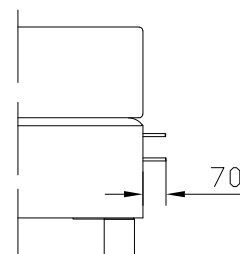
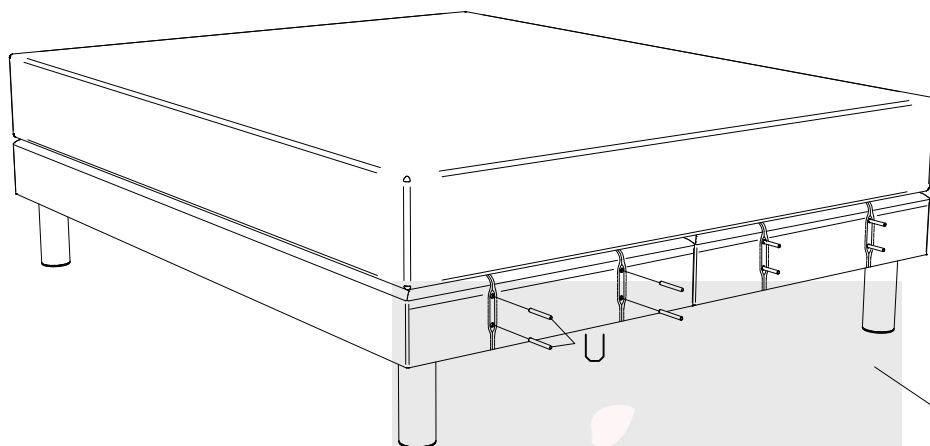
631.012

Z x1

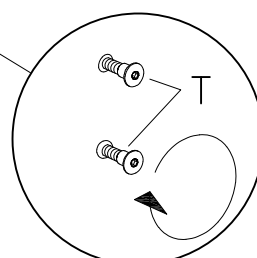
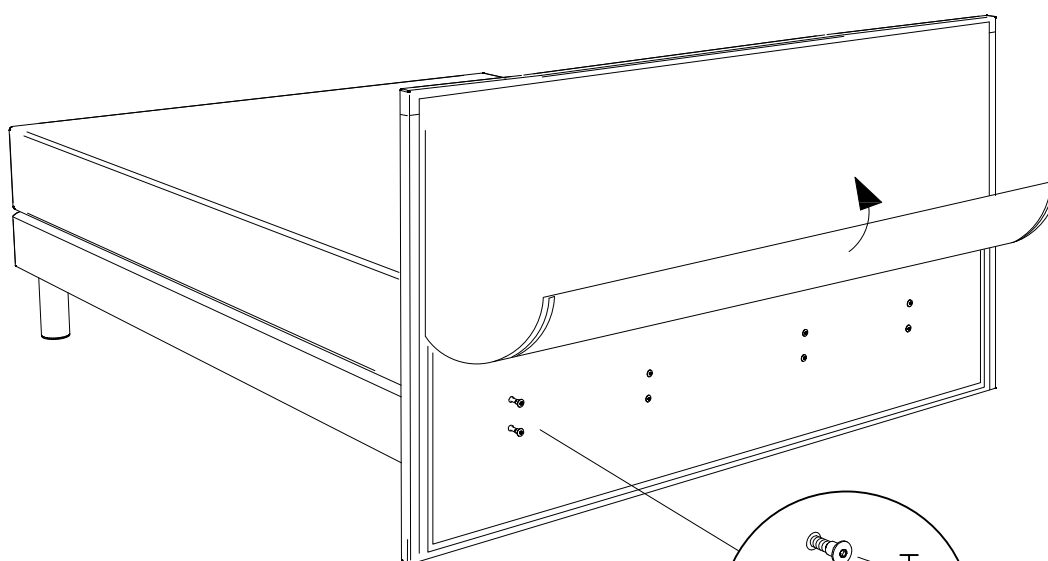


631.100

15.



16.



660.01196