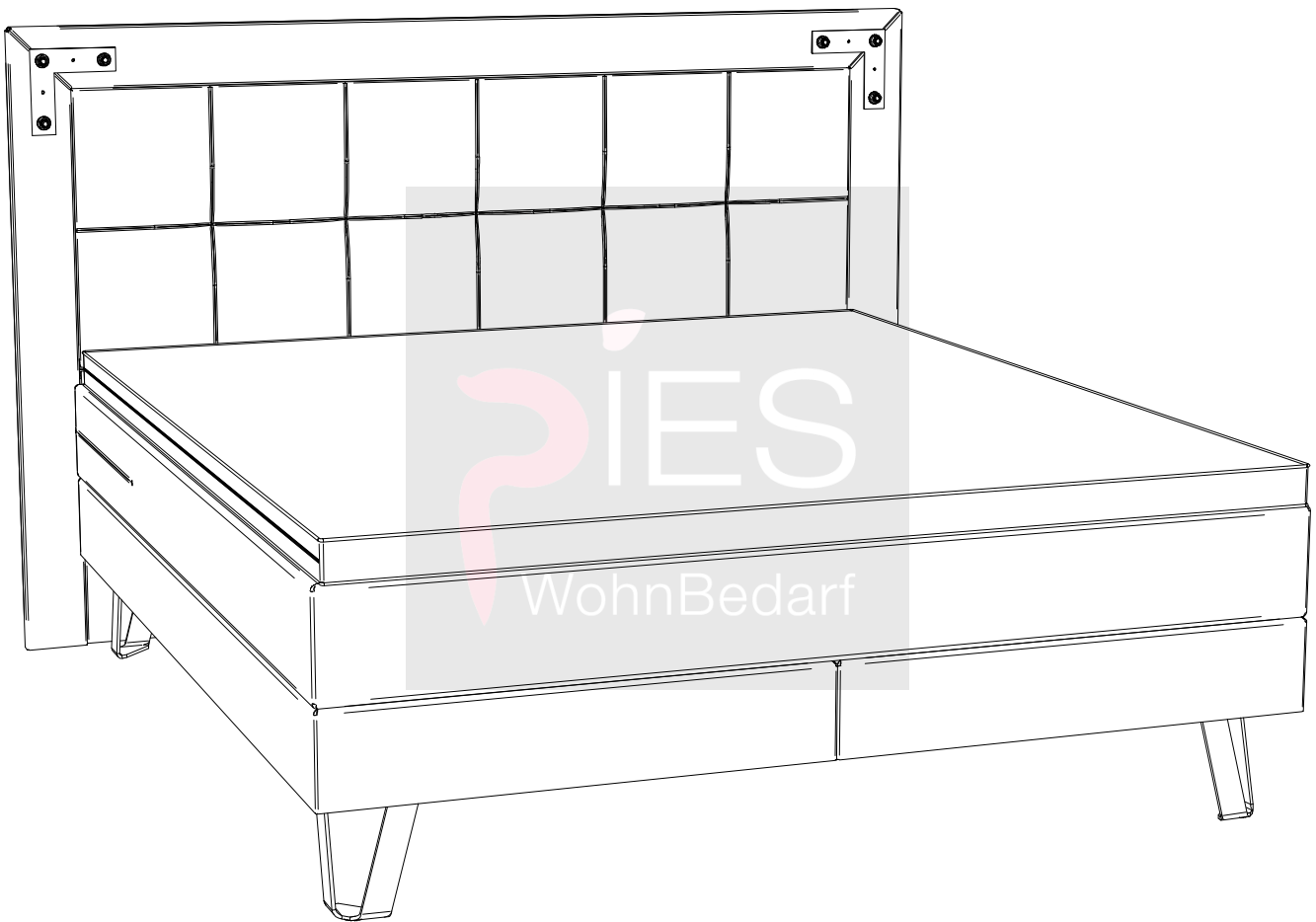




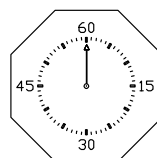
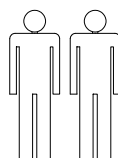
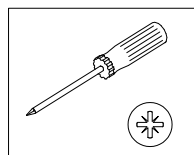
MONTAGEANLEITUNG
NOTICE DE MONTAGE
ASSEMBLY INSTRUCTION
ISTRUZIONE DI MONTAGGIO



Oakland



Benötigte Werkzeuge – Outils Nécessaires – Tools Required – Attrezzi Necessari

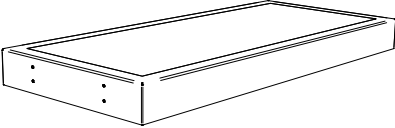

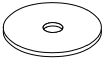
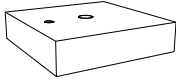
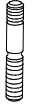


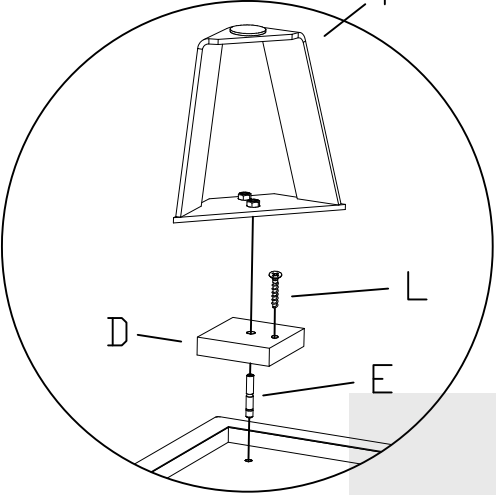


29.11.2021

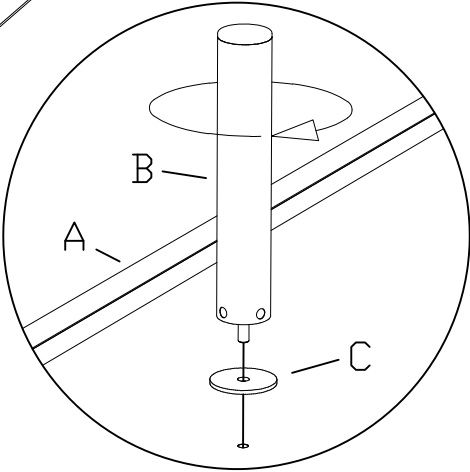
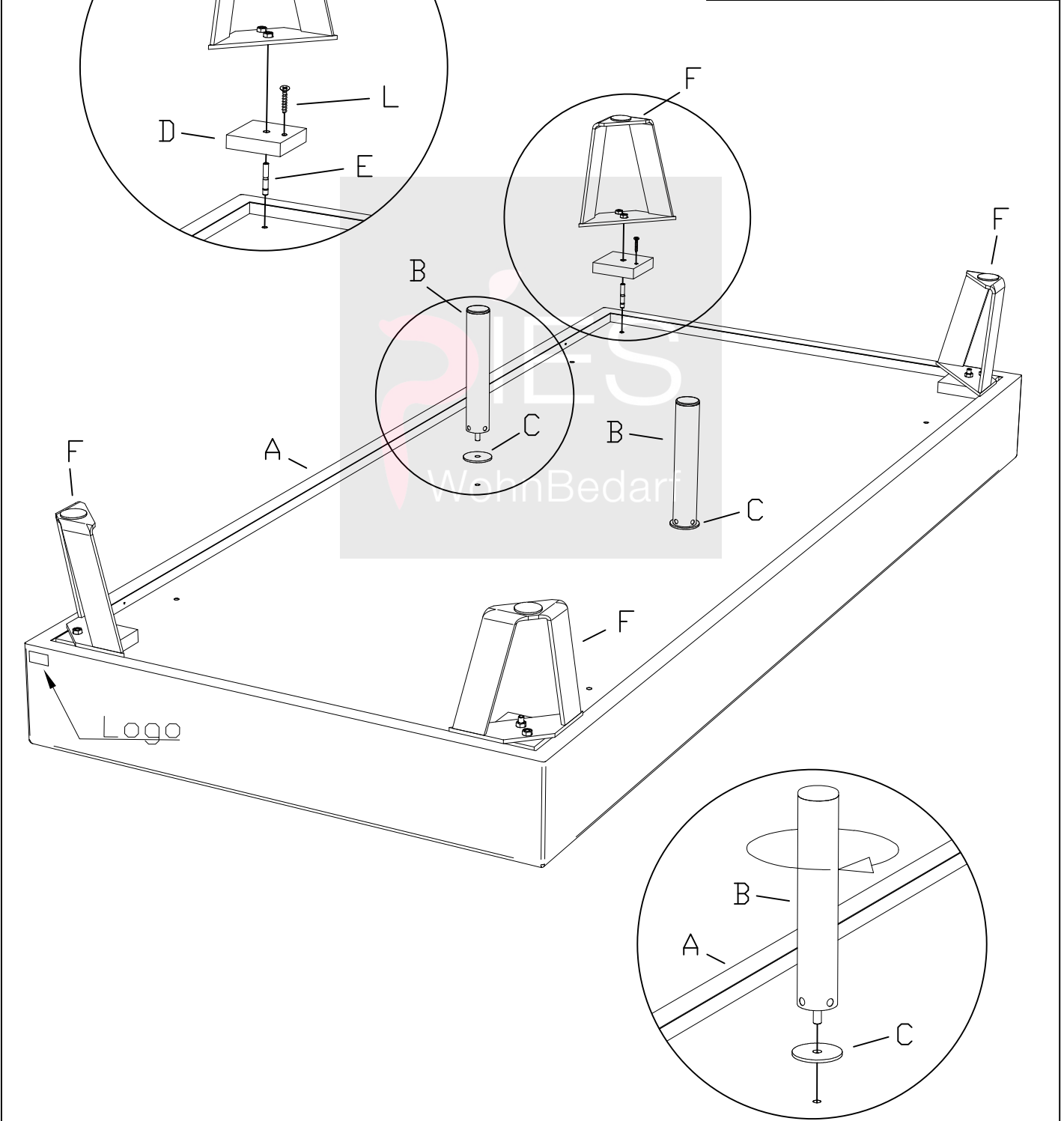
660.01195

bei den Breiten bis 140cm
pour des largeurs jusqu'à 140cm

for the widths up to 140cm
pour les per misura 140cm

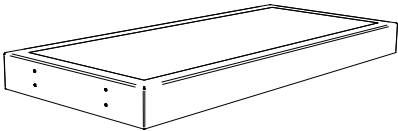

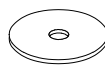
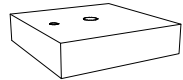
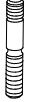
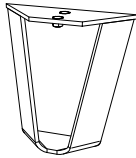
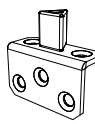
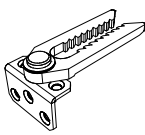
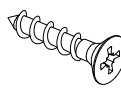
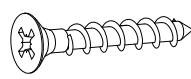
<p>A x1</p> 	<p>B x2</p>  <p>793.305</p>	<p>C x2</p>  <p>793.305</p>	<p>D x4</p>  <p>748.299</p>	<p>E x4</p>  <p>631.014</p>
---	--	--	--	--

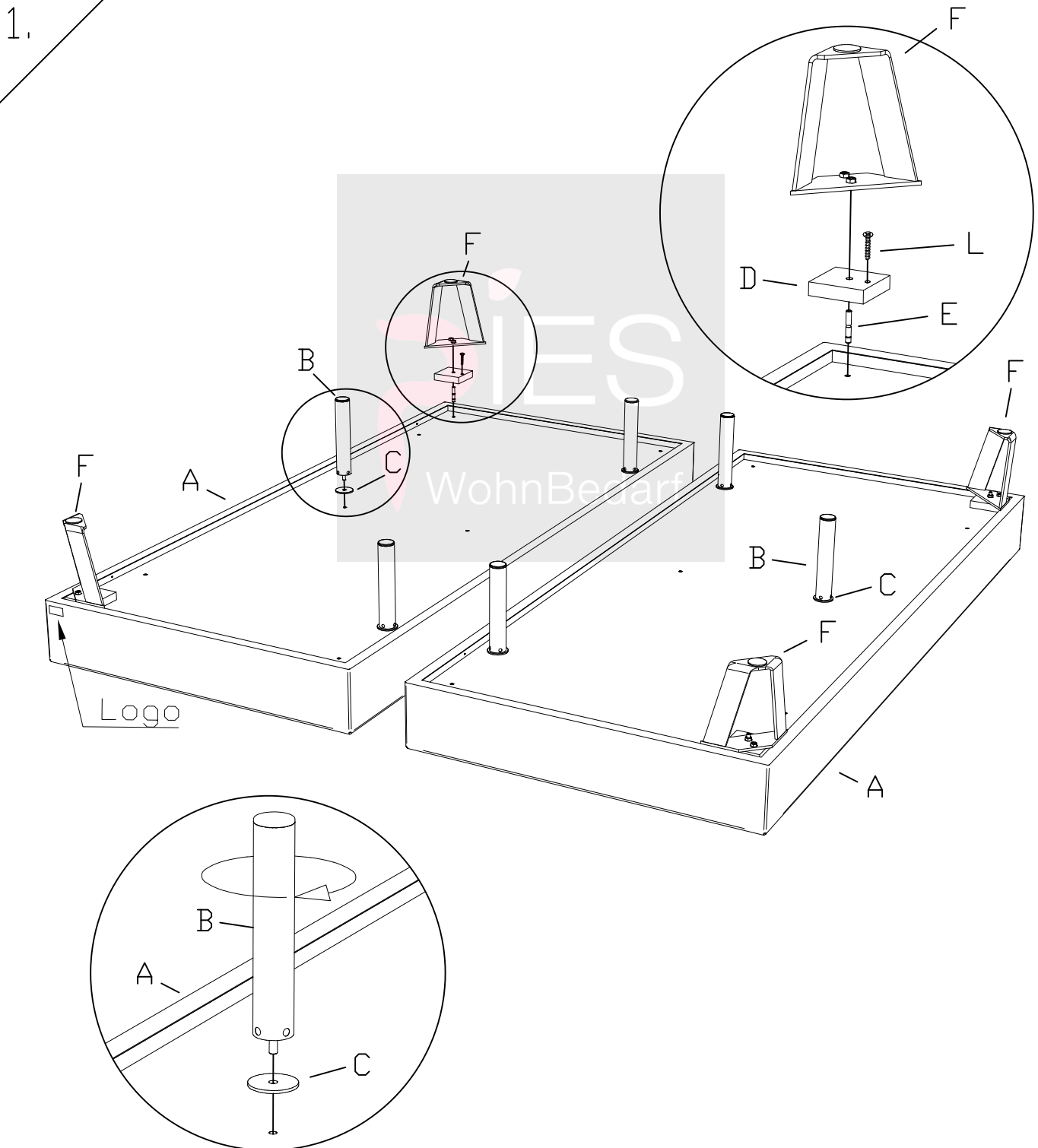
<p>1.</p> 	<p>F x4</p> 	<p>L x4 Ø 4x30</p>  <p>631.32000</p>
---	---	---



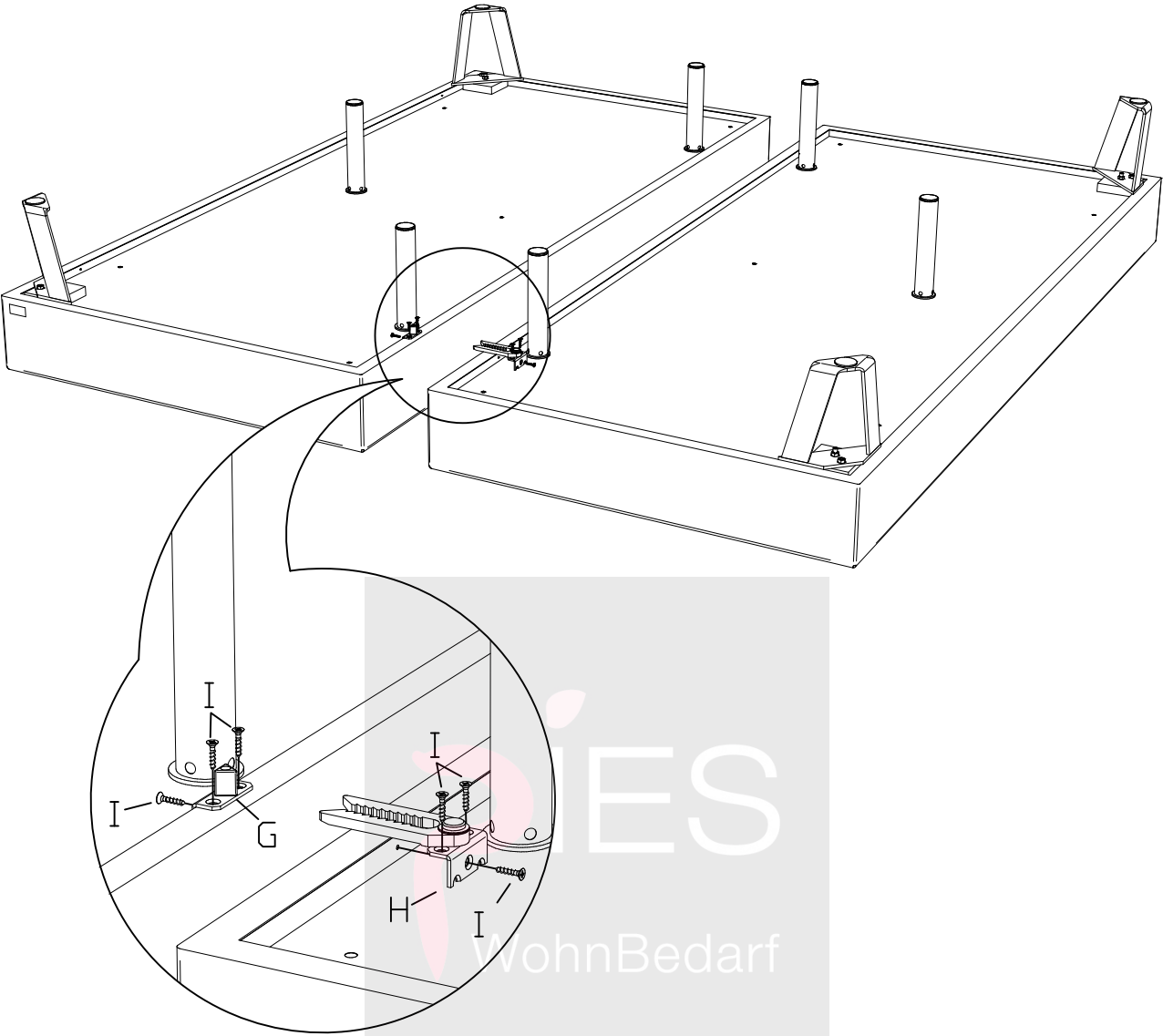
bei Breiten ab 160cm
à partir des dimensions 160cm

for widths from 160cm
della misura 160cm

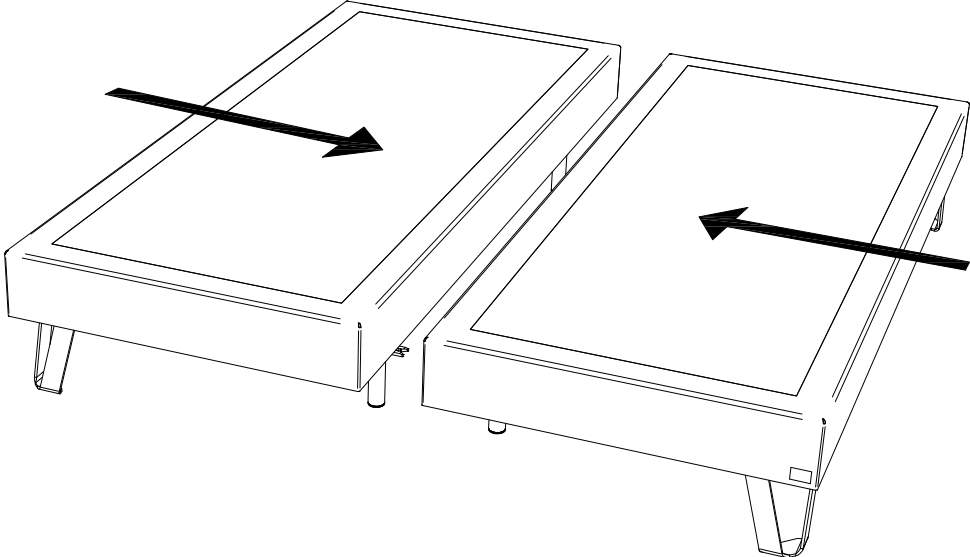
<p>A x2</p> 	<p>B x6</p>  <p>793.305</p>	<p>C x6</p>  <p>793.305</p>	<p>D x4</p>  <p>748.299</p>	<p>E x4</p>  <p>631.014</p>	
<p>F x4</p> 	<p>G x1</p>  <p>630.779</p>	<p>H x1</p>  <p>630.779</p>	<p>I x6</p>  <p>631.303</p>	<p>L x4 Ø 4x30</p>  <p>631.32000</p>	



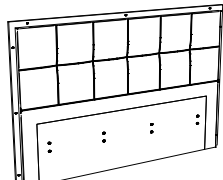


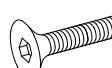
2.



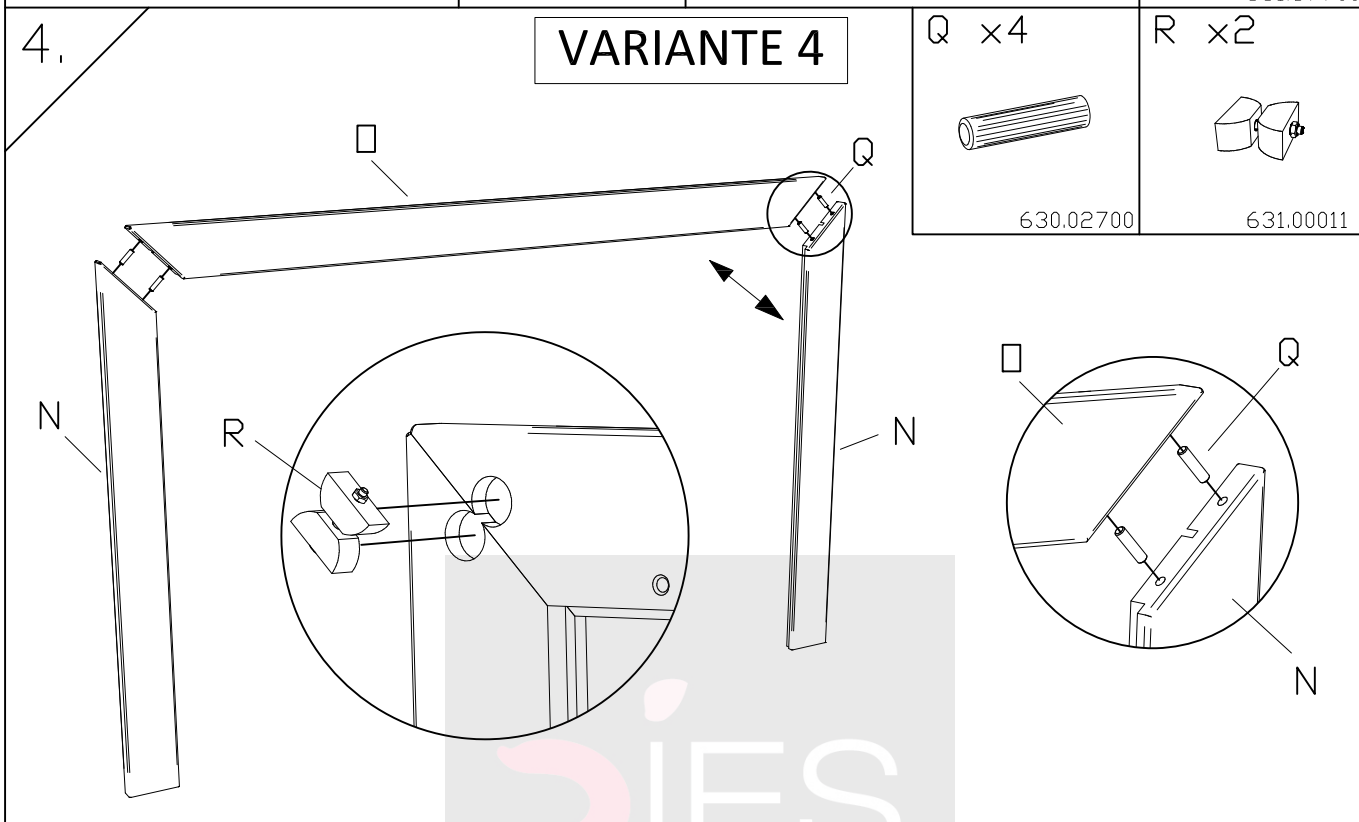
3.

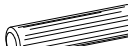



660.01195

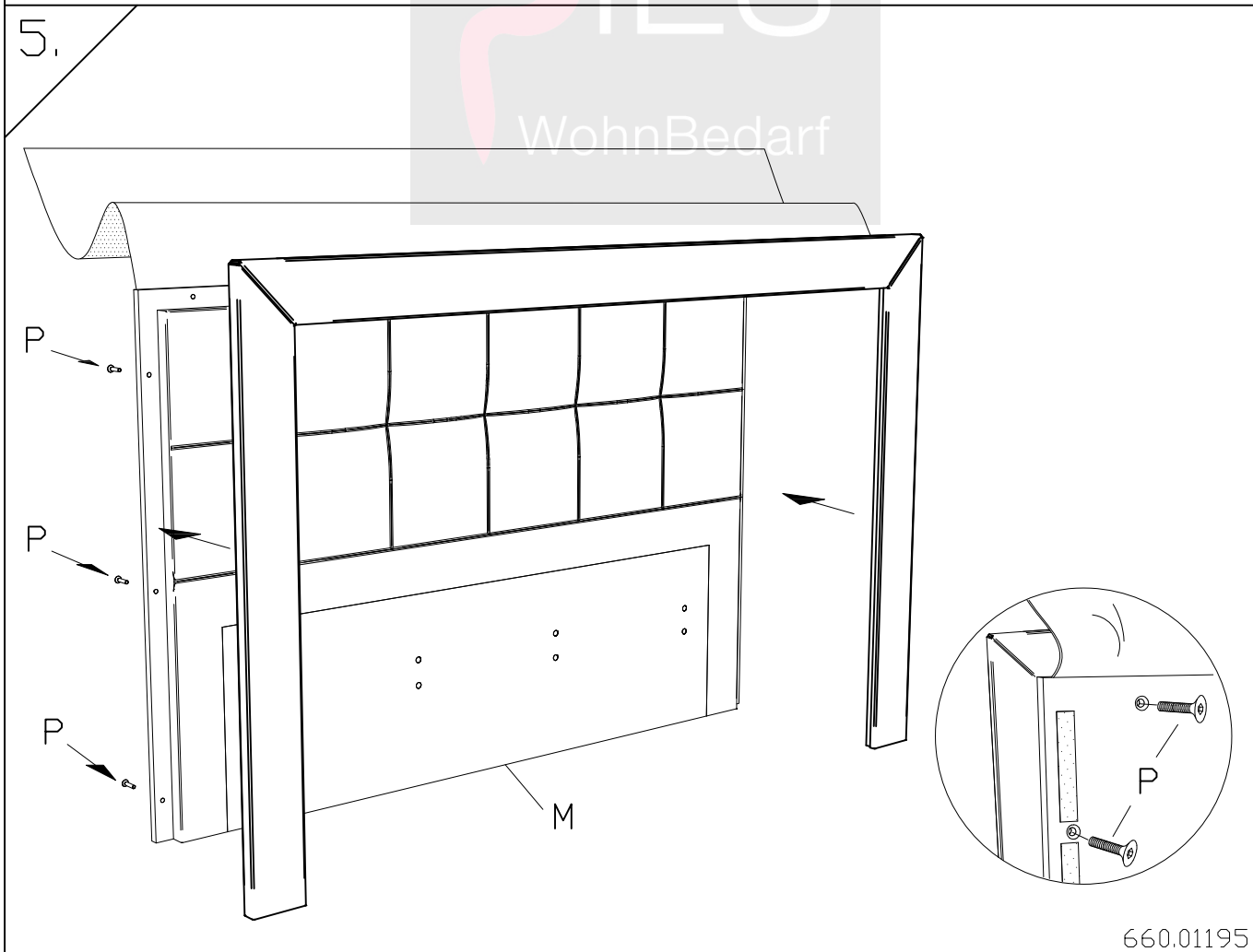
<p>M x1</p> 	<p>N x1</p> 	<p>□ x1</p> 	<p>P x9 M8 x40</p>  <p>631.87700</p>
---	---	--	---

4. **VARIANTE 4**

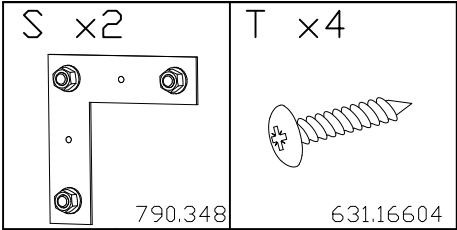


<p>Q x4</p>  <p>630.02700</p>	<p>R x2</p>  <p>631.00011</p>
--	--

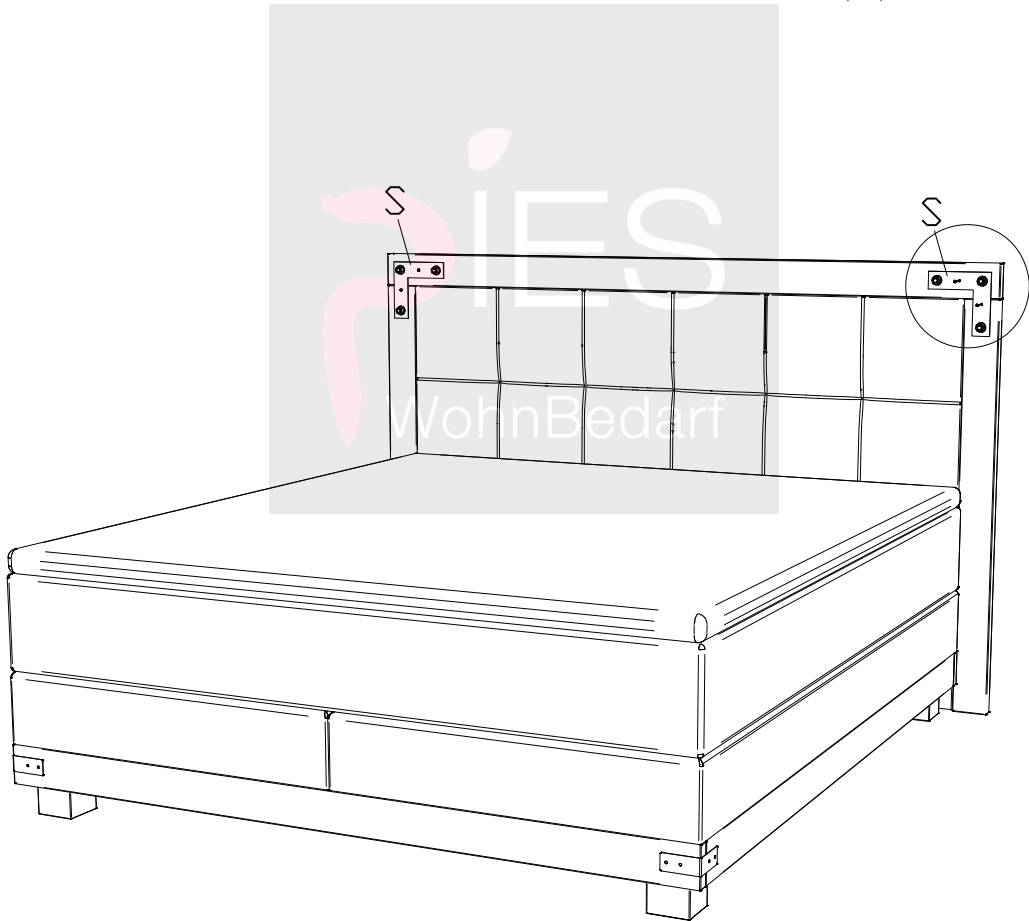
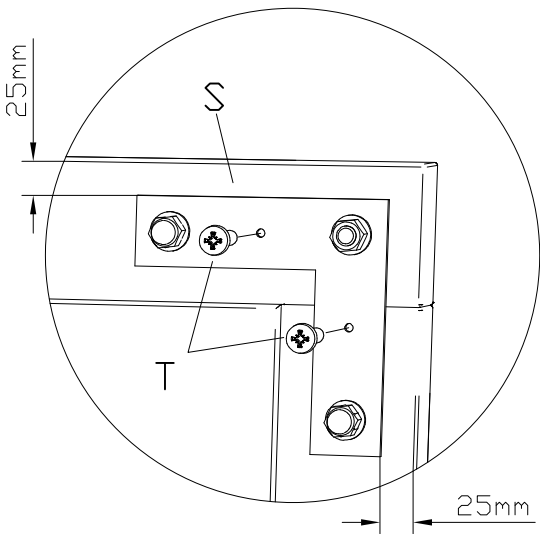
5.



660.01195



6.



1 sektorig / 1 sector / 1 secteur / 1 settore

U x4



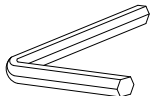
631.887

V x4



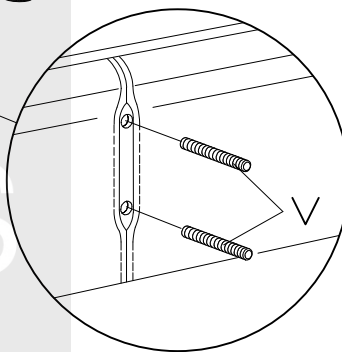
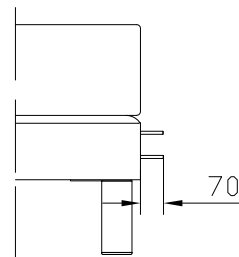
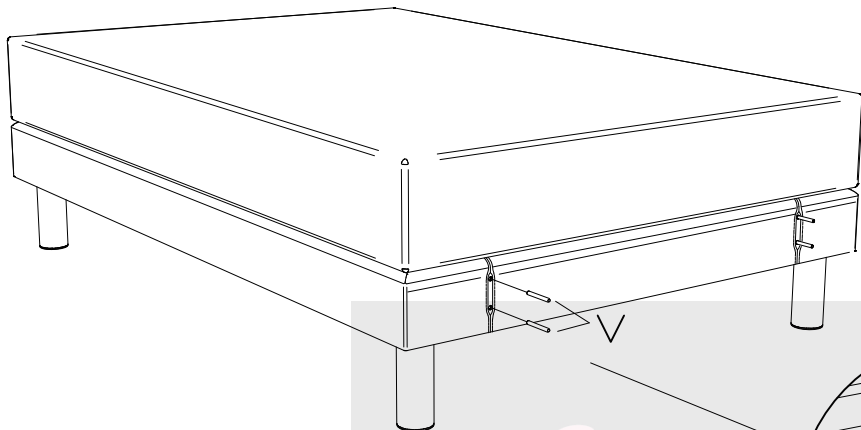
631.012

Z x1

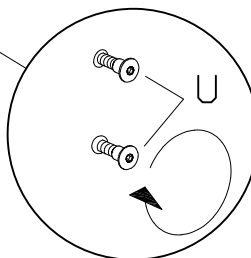
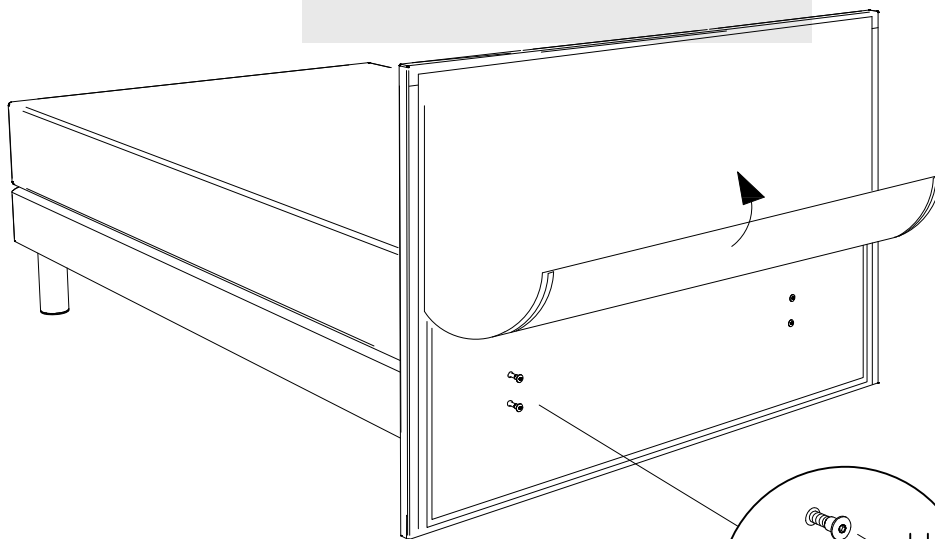


631.100

7.



8.



660.01195

2 sektorig / 2 sector / 2 secteur / 2 settore

U x8



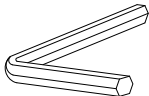
631.887

V x8



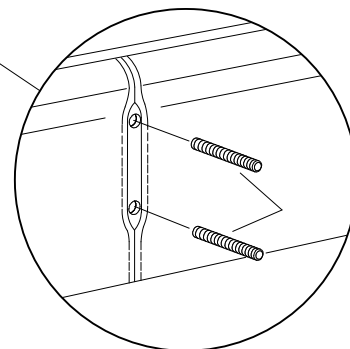
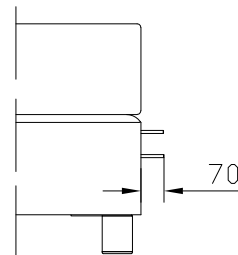
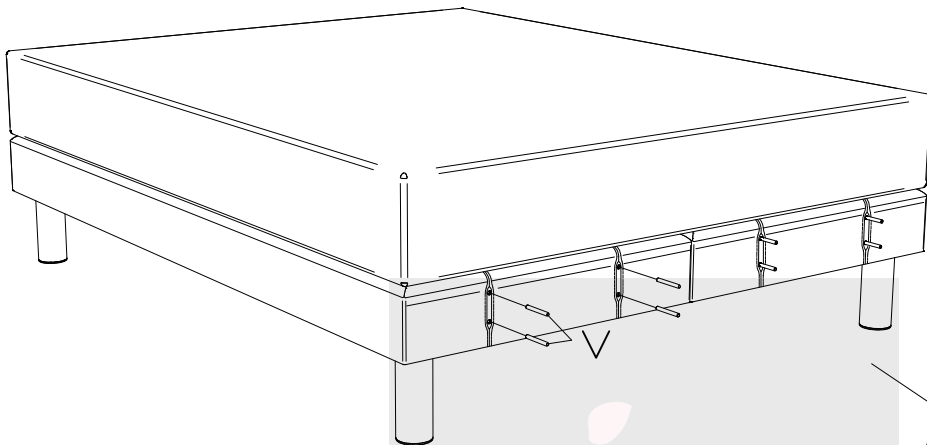
631.012

Z x1

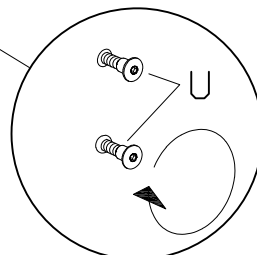
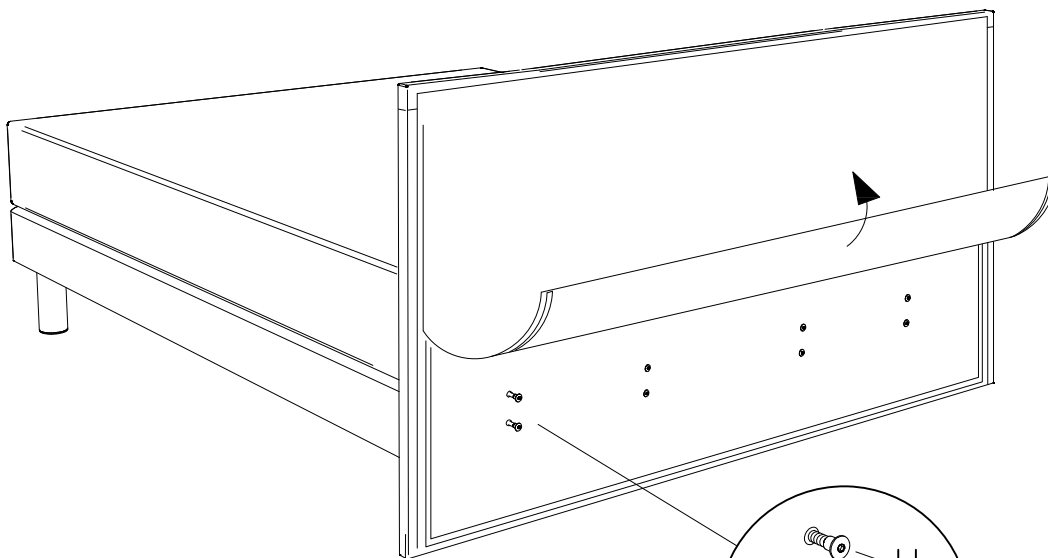


631.100

7.



8.



660.01195