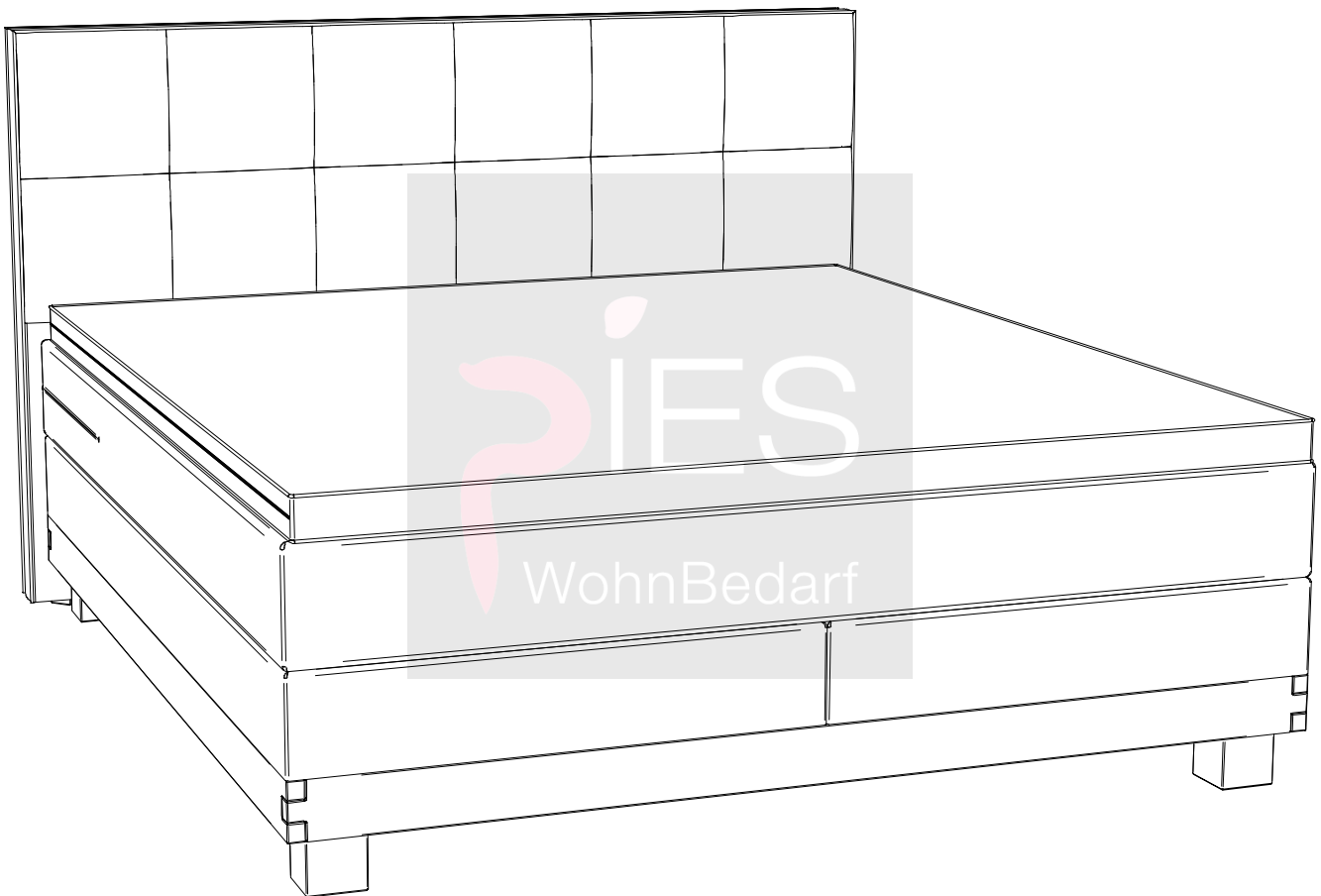




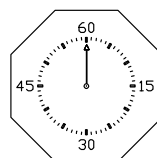
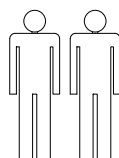
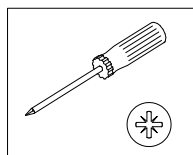
MONTAGEANLEITUNG  
NOTICE DE MONTAGE  
ASSEMBLY INSTRUCTION  
ISTRUZIONE DI MONTAGGIO



# Finca

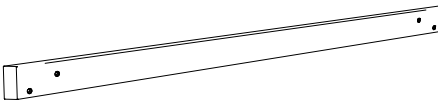
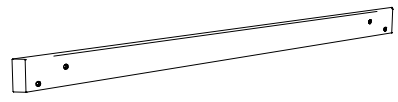
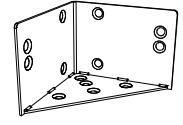
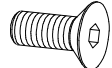


Benötigte Werkzeuge – Outils Nécessaires – Tools Required – Attrezzi Necessari

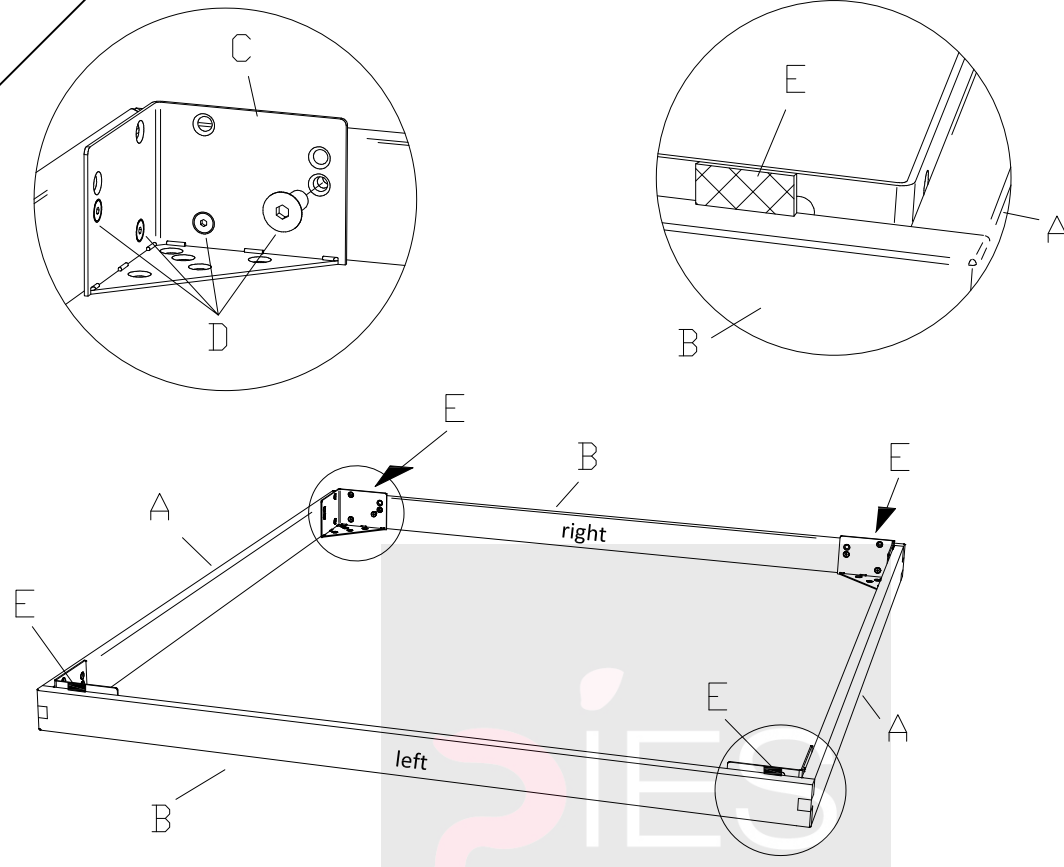


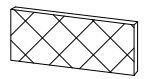

29.09.2021

660.01187

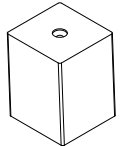
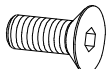
<p>A x2</p> 	<p>B x2</p> 	<p>C x4</p>  <p>630.101</p>	<p>D x16 M8 x20</p>  <p>631.872</p>
---	---	--	--

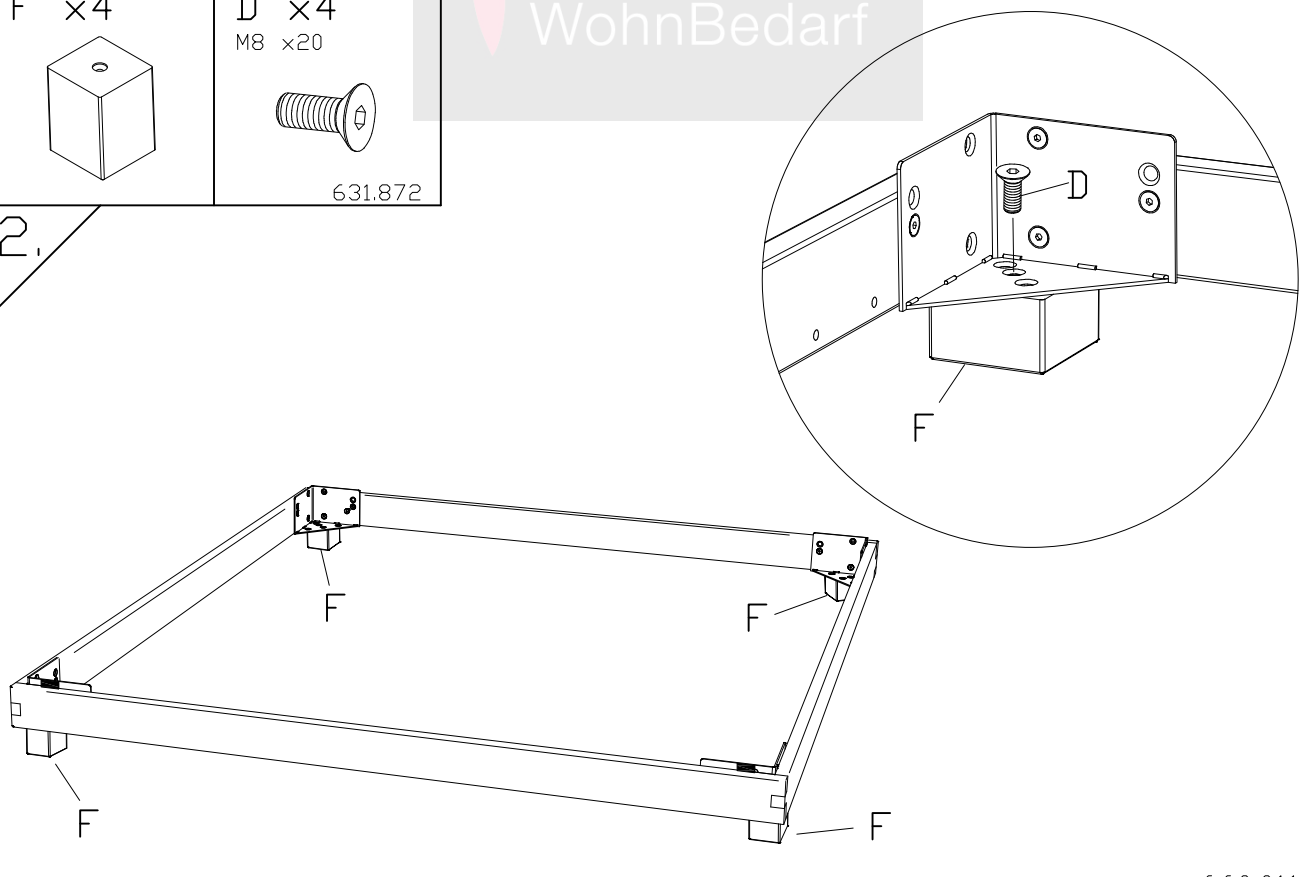
1.



<p>E x4</p>  <p>630.50501</p>	<p>Z x1</p>  <p>631.101</p>
--	--

2.

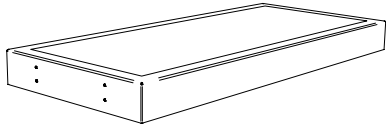
<p>F x4</p> 	<p>D x4 M8 x20</p>  <p>631.872</p>
---	---



660.01187

bei Breite 140cm  
for width 140cm  
pour la largeur 140cm  
per misura 140cm

G x1



H x2



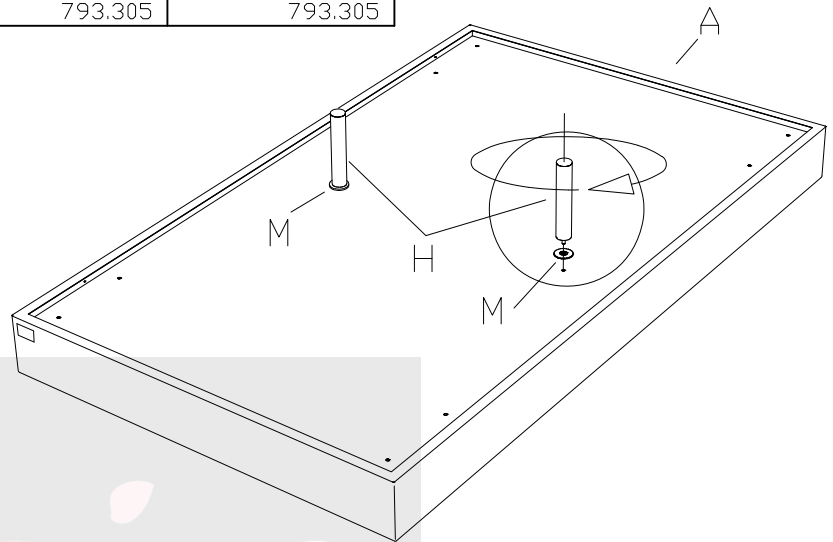
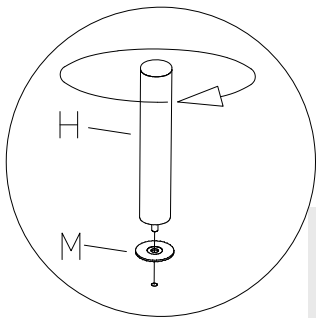
793.305

M x2



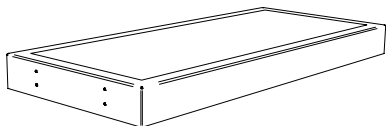
793.305

3a

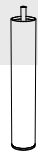


bei Breiten 140-200cm  
for widths 140-200cm  
pour la largeur 140-200cm  
per misura 140-200cm

G x2

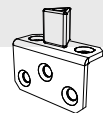


H x6



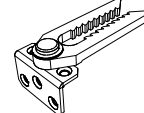
793.305

J x1



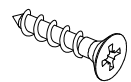
630.779

K x1



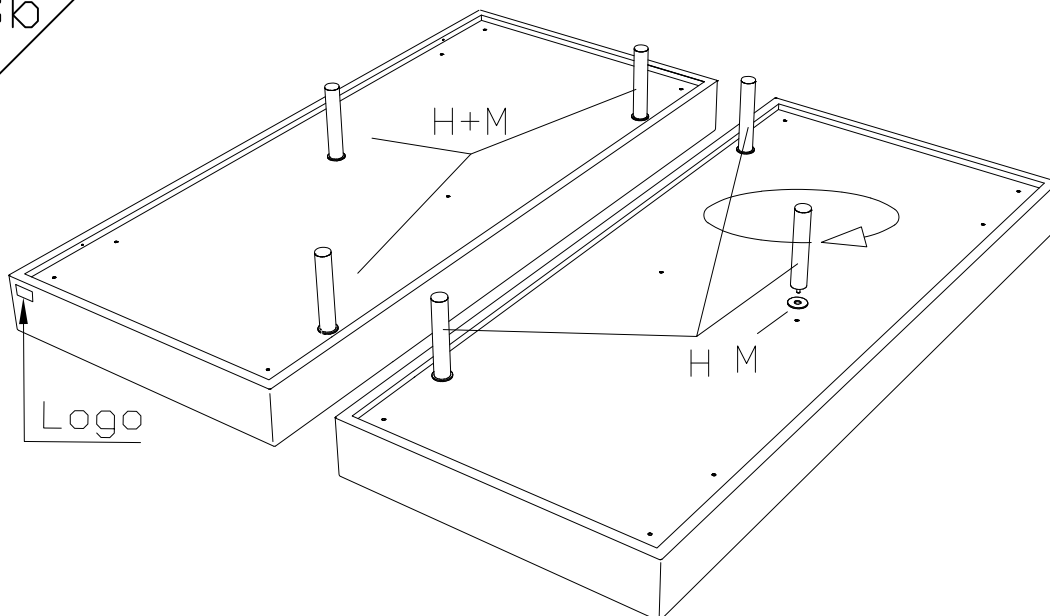
630.779

L x6  
Ø4x20



631.303

3b

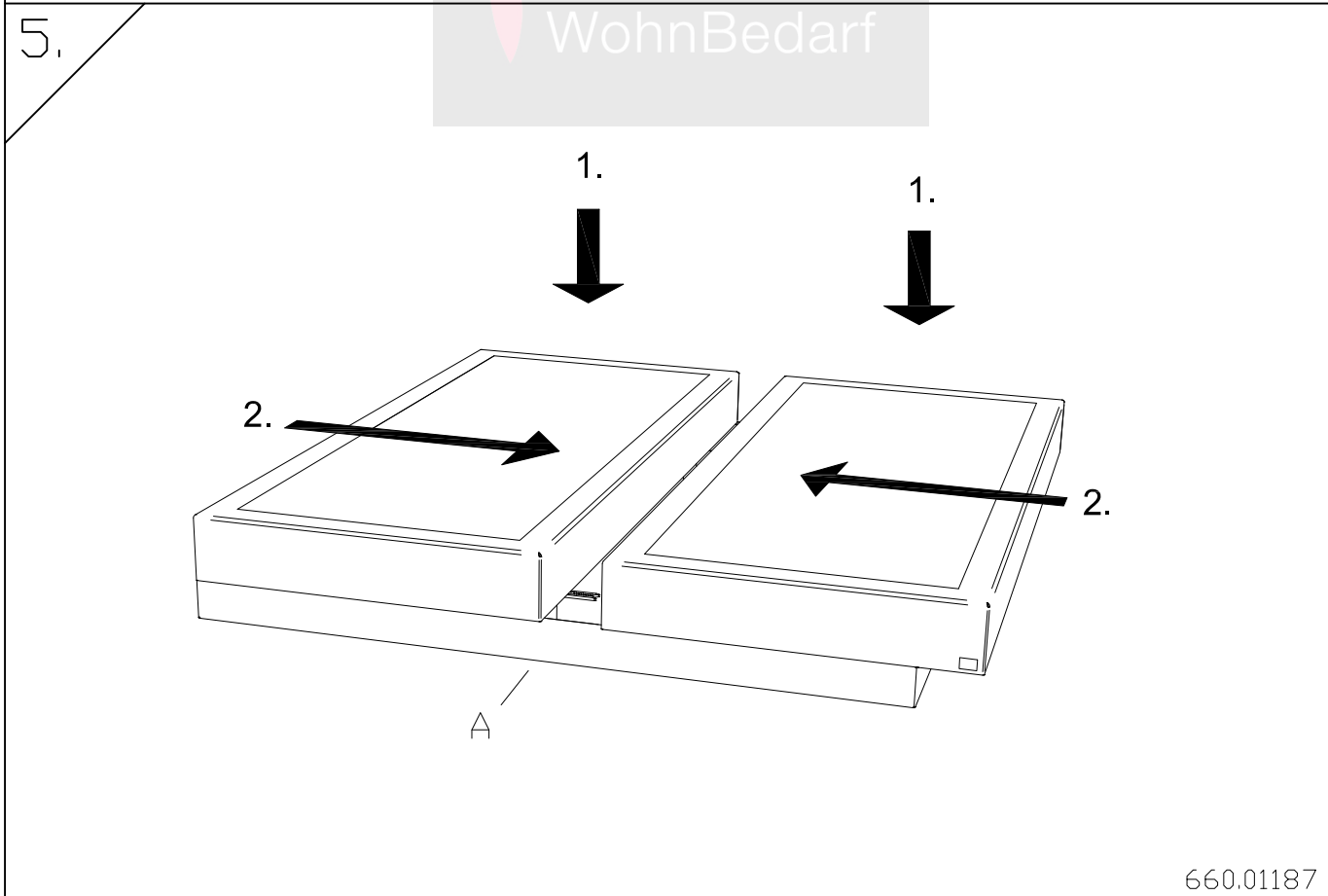
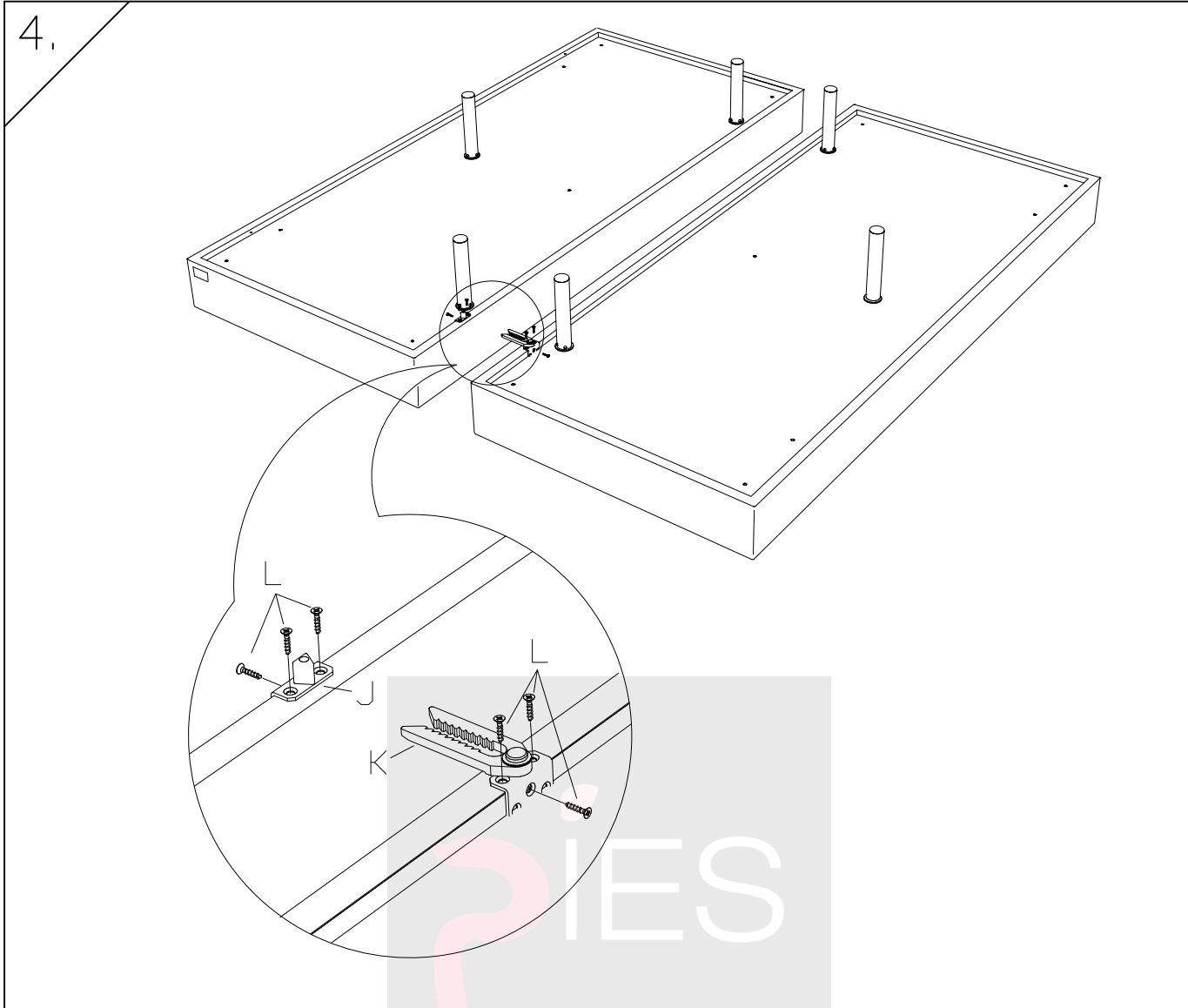


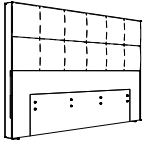


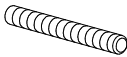
M x6



793.305

660.01187



<p>□ x1</p> 	<p>P x8</p>  631.621	<p>Q x8</p>  631.080	<p>R x8</p>  631.015
---	--	--	--

