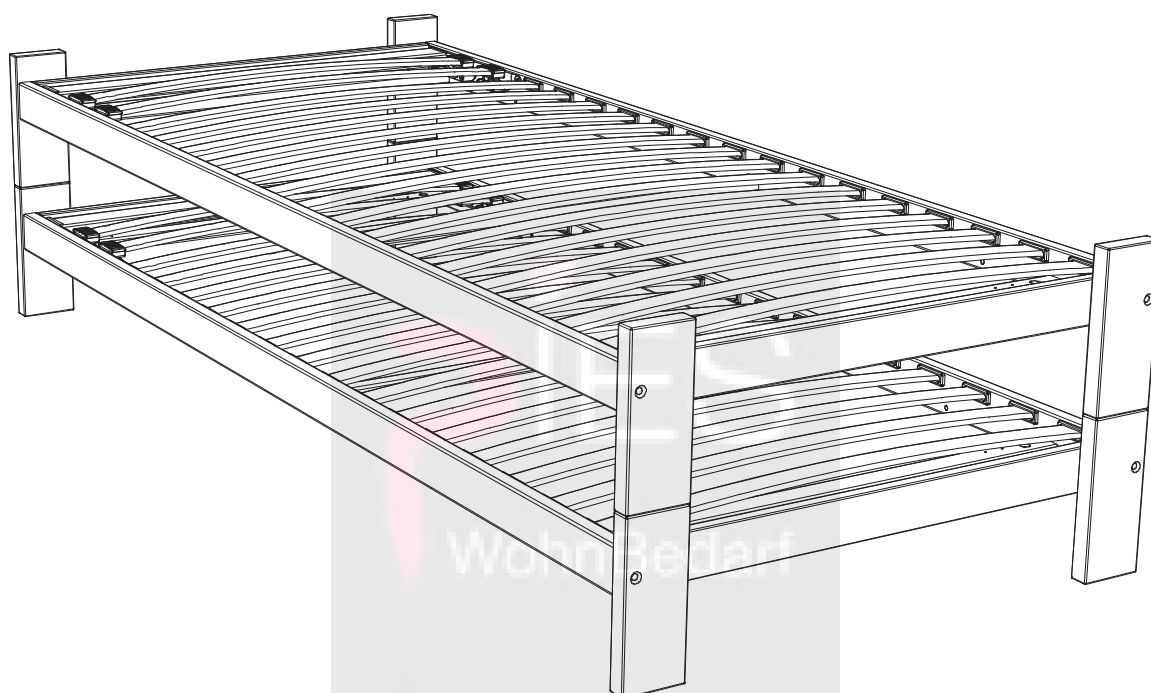
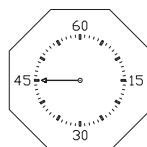
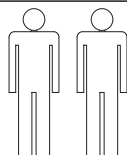
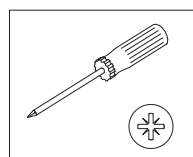
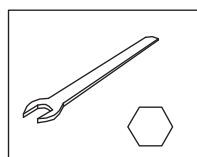




MONTAGEANLEITUNG  
NOTICE DE MONTAGE  
ASSEMBLY INSTRUCTION  
ISTRUZIONE DI MONTAGGIO

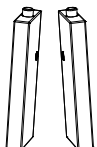
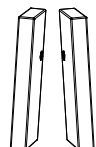

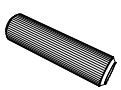
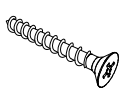
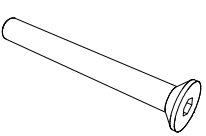


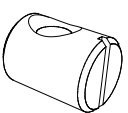
Benötigte Werkzeuge – Outils Nécessaires – Tools Required – Attrezzi Necessari



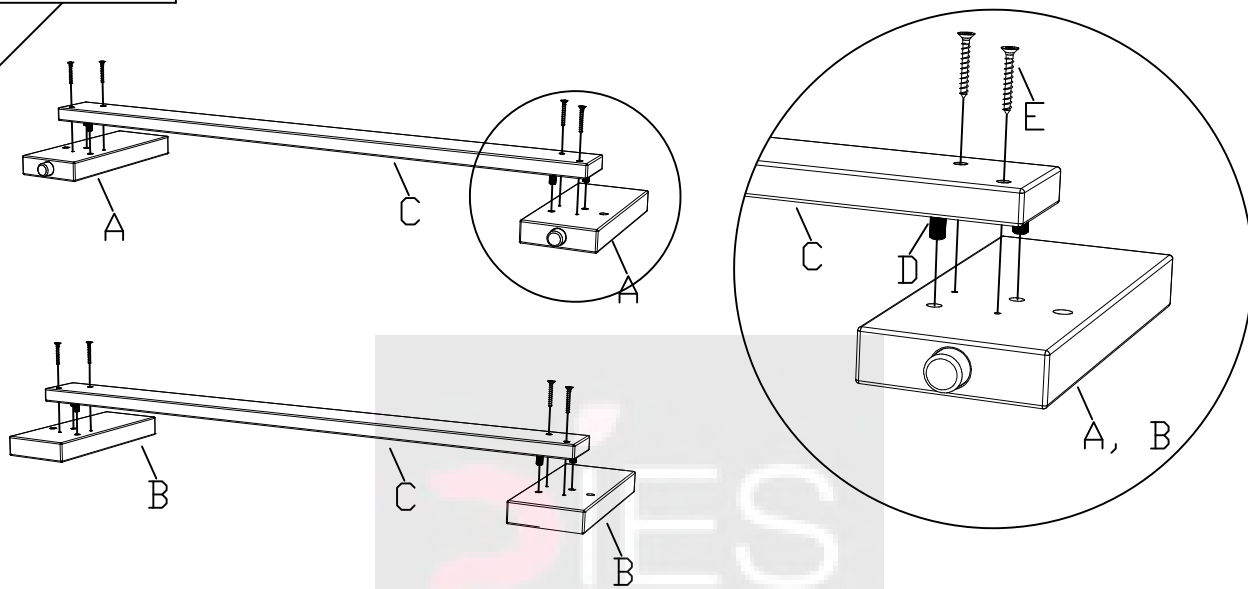
01.04.2019

660.01038

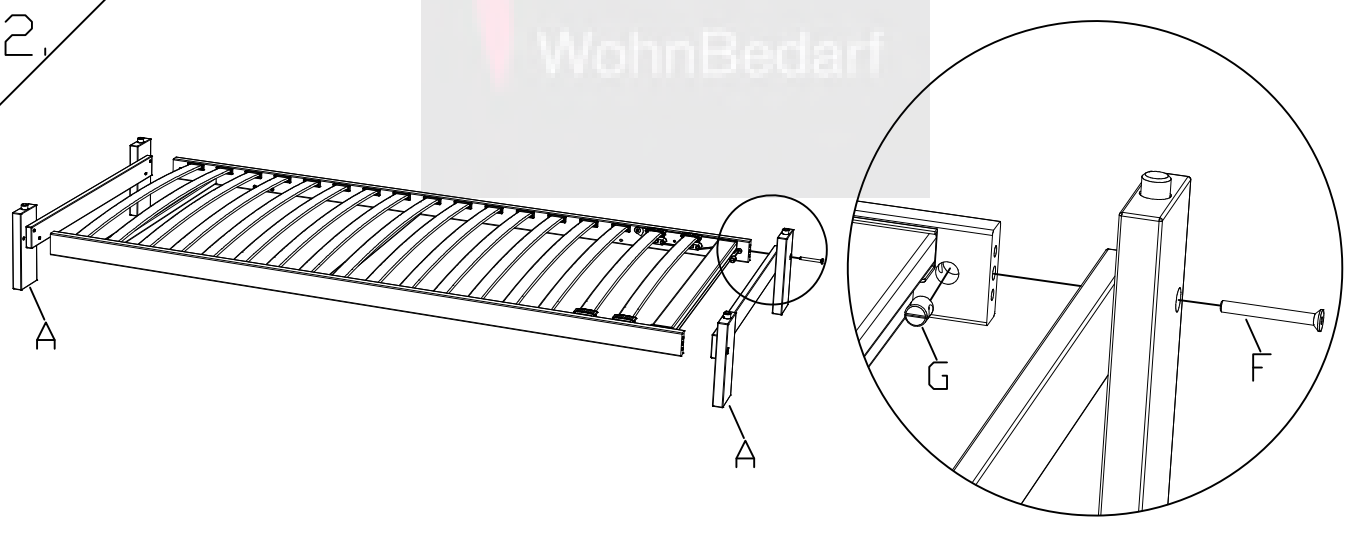
A x2 	B x2 	C x4 	D x16  630.02100	E x16  631.34600	F x8  631.10400
-------------------------------------------------------------------------------------------	-------------------------------------------------------------------------------------------	-------------------------------------------------------------------------------------------	---------------------------------------------------------------------------------------------------------	-----------------------------------------------------------------------------------------------------------	----------------------------------------------------------------------------------------------------------

G x8  631.61100
--------------------------------------------------------------------------------------------------------

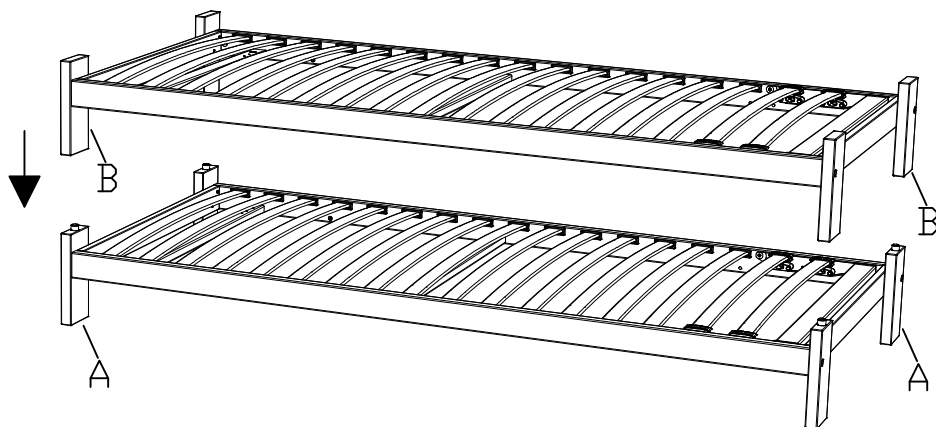
1.



2.



3.



660.01038