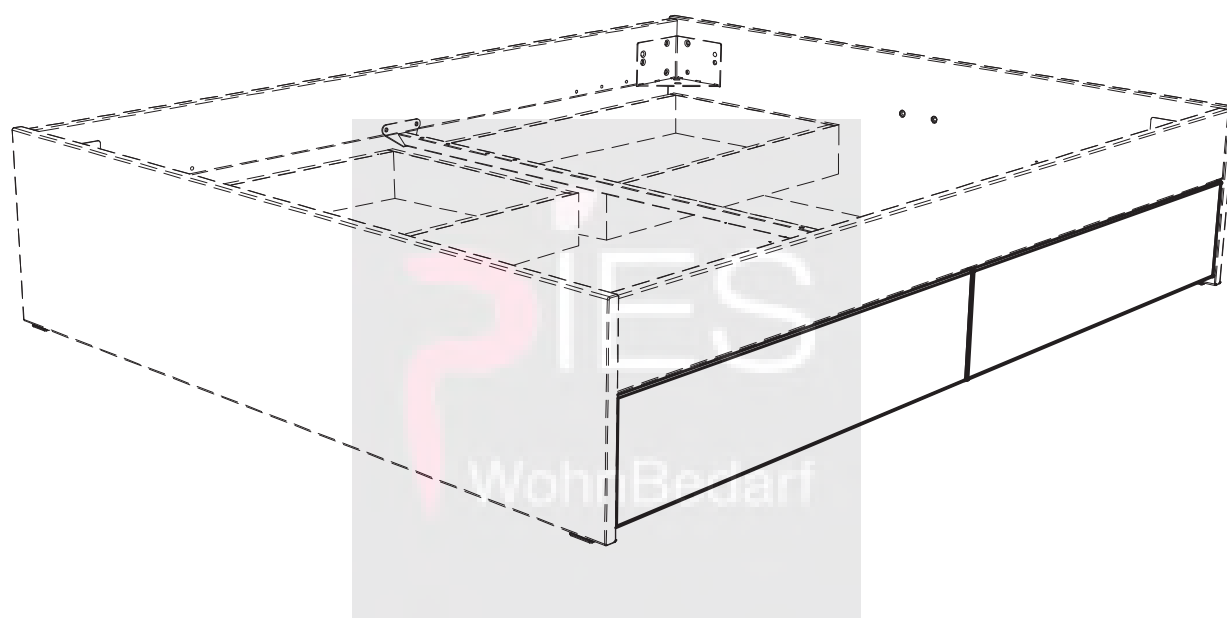
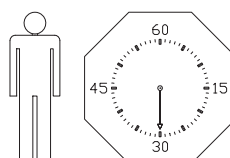
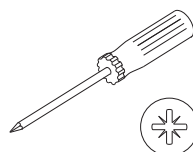


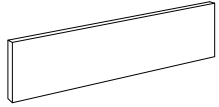

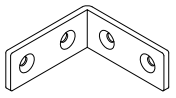
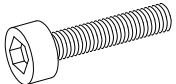
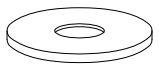




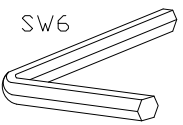
MONTAGEANLEITUNG
NOTICE DE MONTAGE
ASSEMBLY INSTRUCTION
ISTRUZIONE DI MONTAGGIO

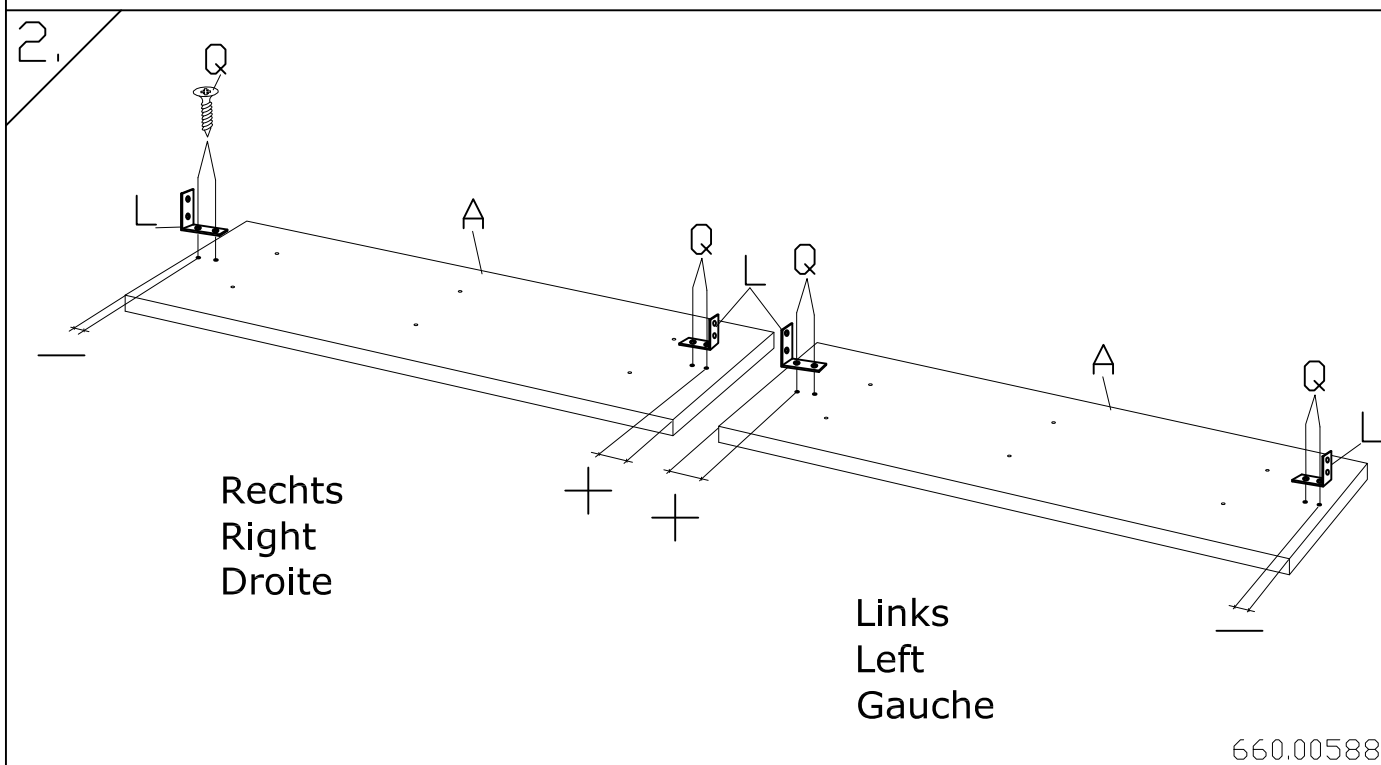
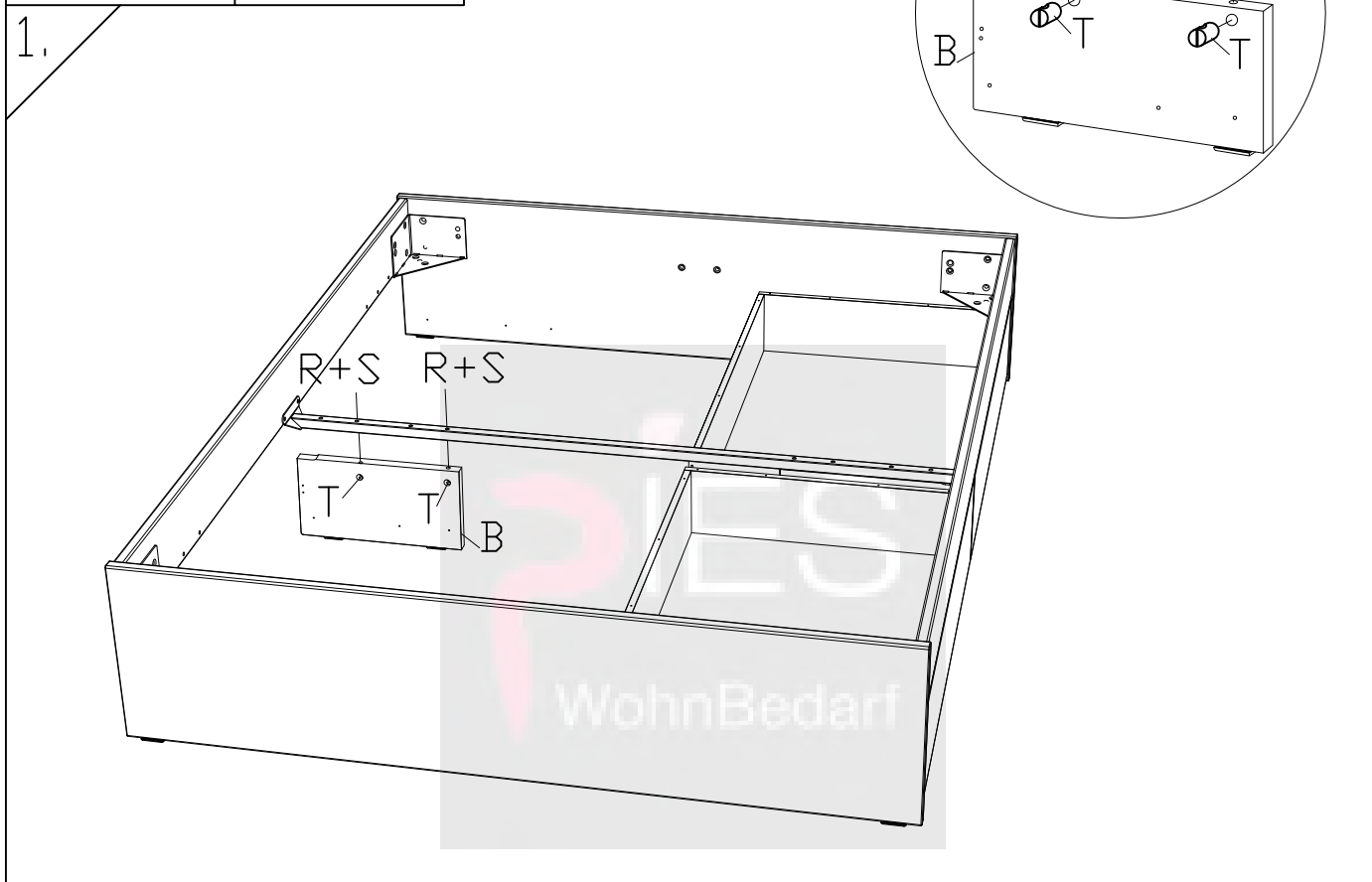
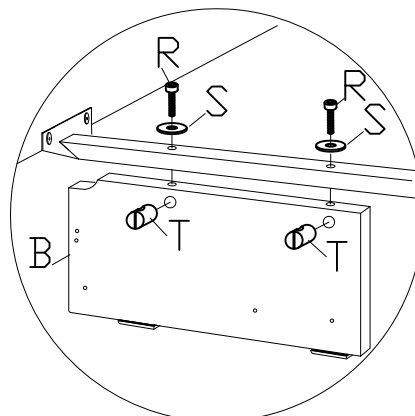


Benötigte Werkzeuge – Outils Nécessaires – Tools Required – Attrezzi Necessari



A x2 	B x1  745.293	L x4  790.048	R x2  631.95000	S x2  631.08000	T x2  631.61100
---	--	--	---	--	--

Q x16  631.13300	Y x1 SW6  631.10300
---	---



3.

