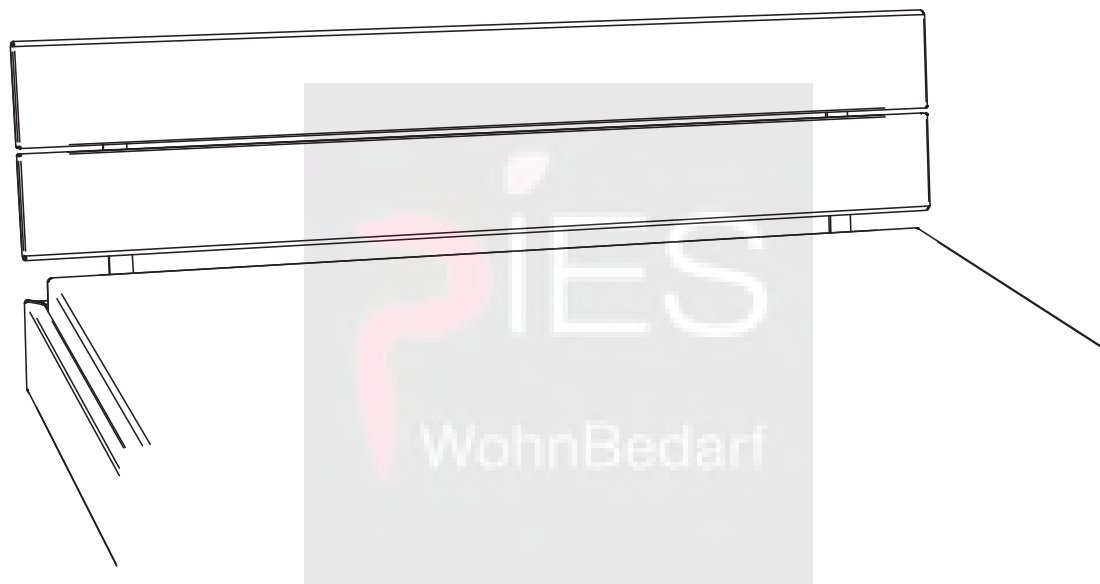
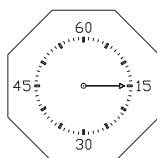
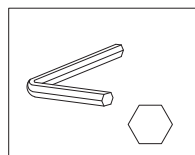
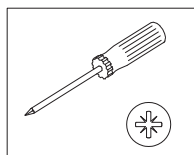



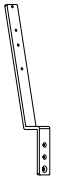

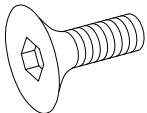
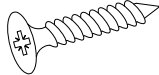


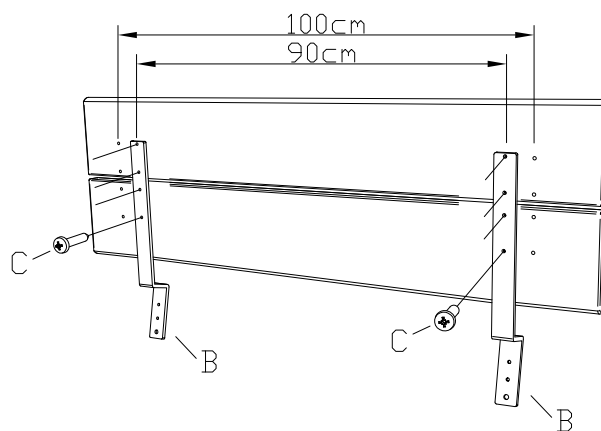
MONTAGEANLEITUNG
NOTICE DE MONTAGE
ASSEMBLY INSTRUCTION
ISTRUZIONE DI MONTAGGIO



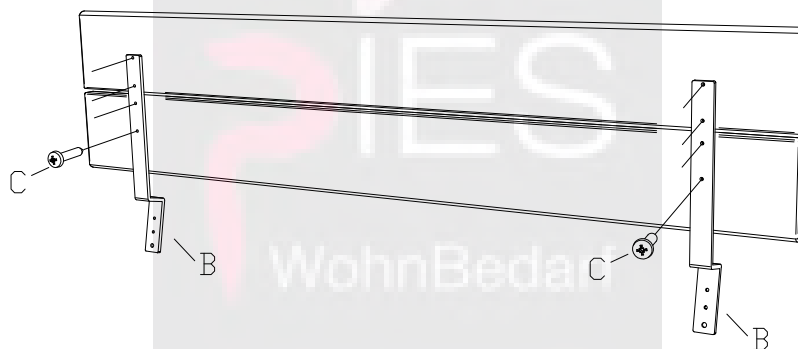
Benötigte Werkzeuge – Outils Nécessaires – Tools Required – Attrezzi Necessari



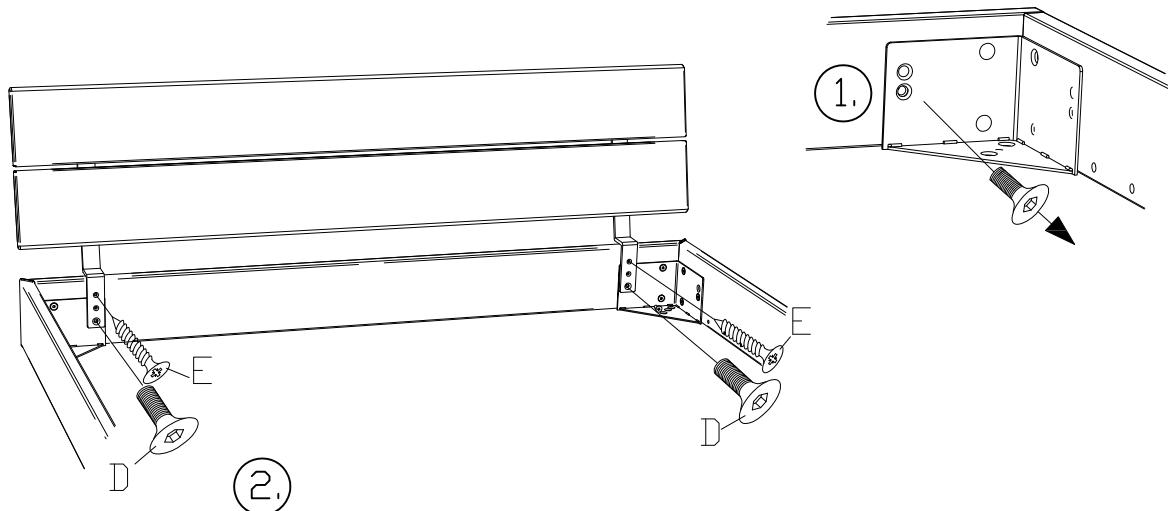
| | | | | |
|---|--|--|--|--|
| A x2  | B x2  790.010 | C x8  631.16500 | D x2  631.10600 | E x2  631.32100 |
|---|--|--|--|--|



Variante A: 90/100cm



Variante B: 120/140/160/180cm



660.00385