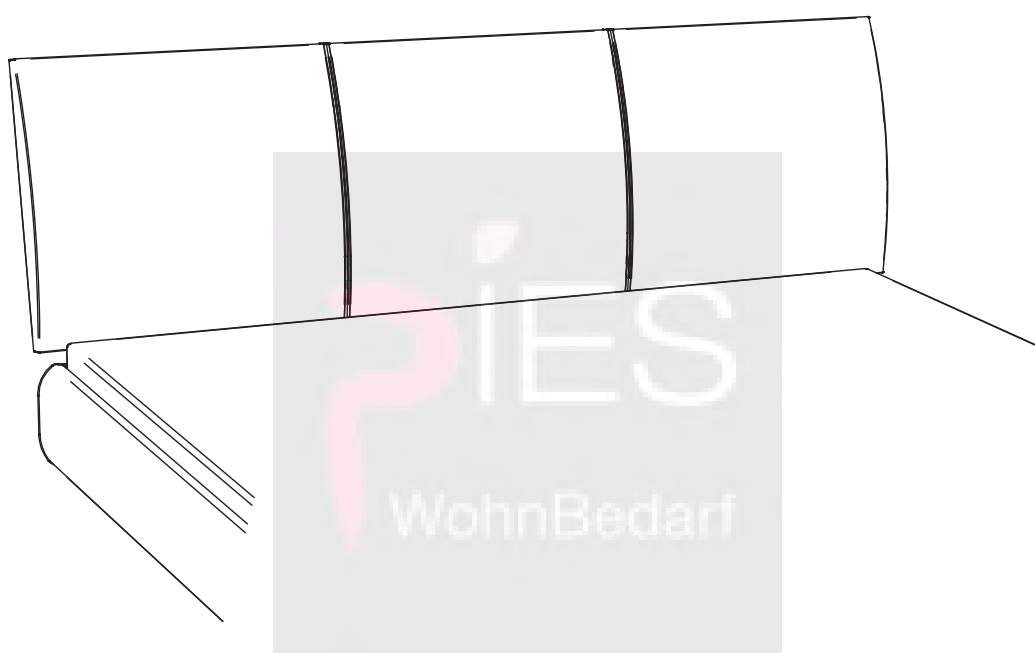
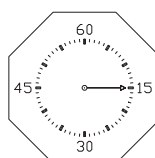
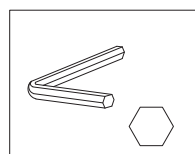
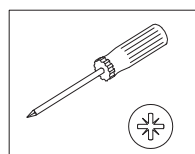




MONTAGEANLEITUNG  
NOTICE DE MONTAGE  
ASSEMBLY INSTRUCTION  
ISTRUZIONE DI MONTAGGIO

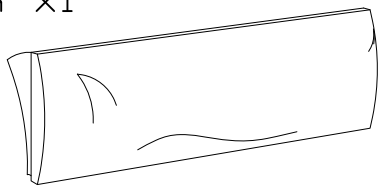


Benötigte Werkzeuge – Outils Nécessaires – Tools Required – Attrezzi Necessari

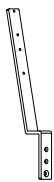


Variante A:  
 Bezug abnehmbar / housses amovibles / cover removeable

A x1

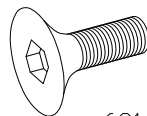


C x2



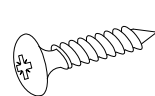
790.010

D x2



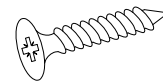
631.106

E x4



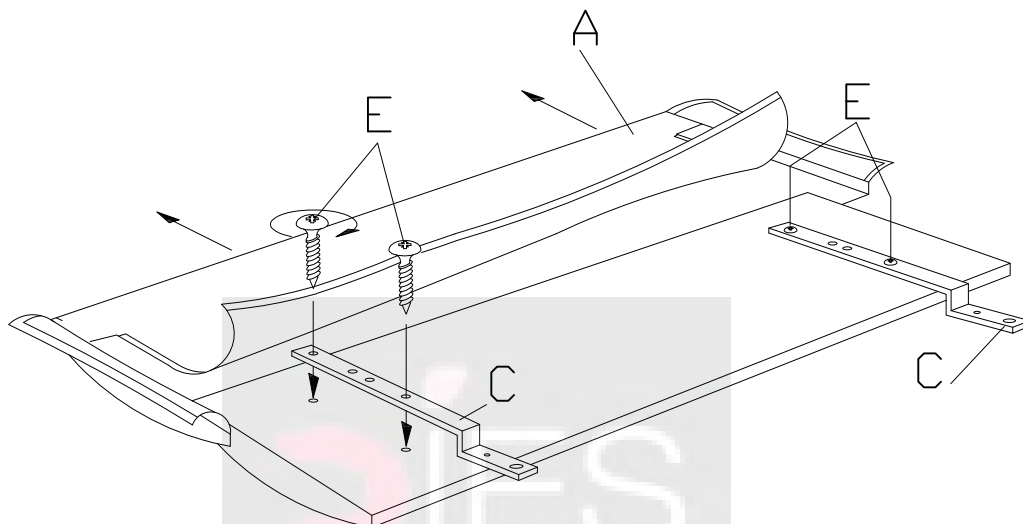
631.165

F x2

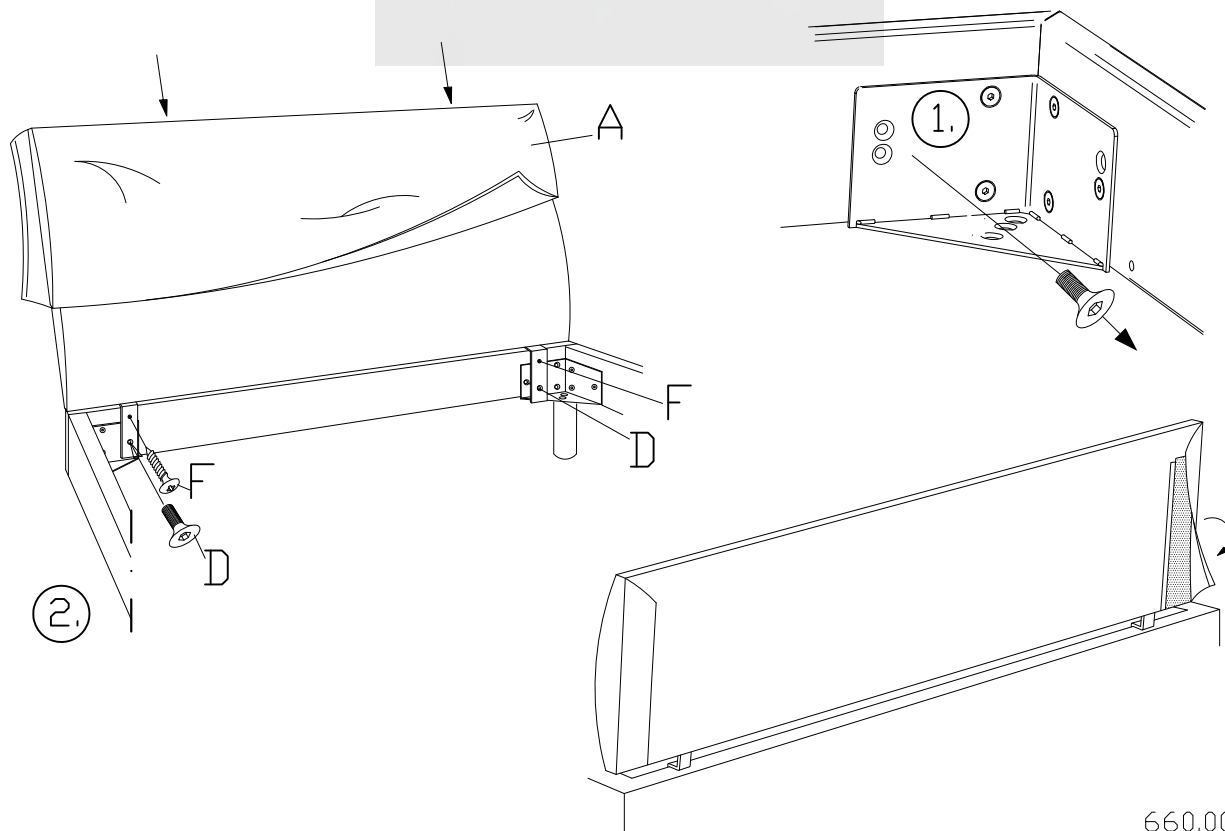


631.321

1.



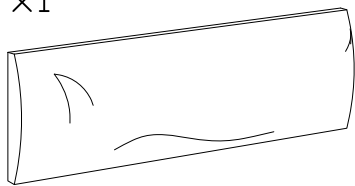
2.



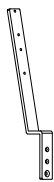
660.00376

Variante B:  
Bezug / housses / cover fix

A x1

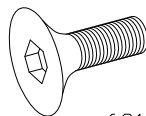


C x2



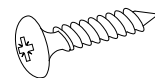
790.010

D x2



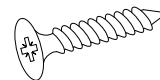
631.106

E x4



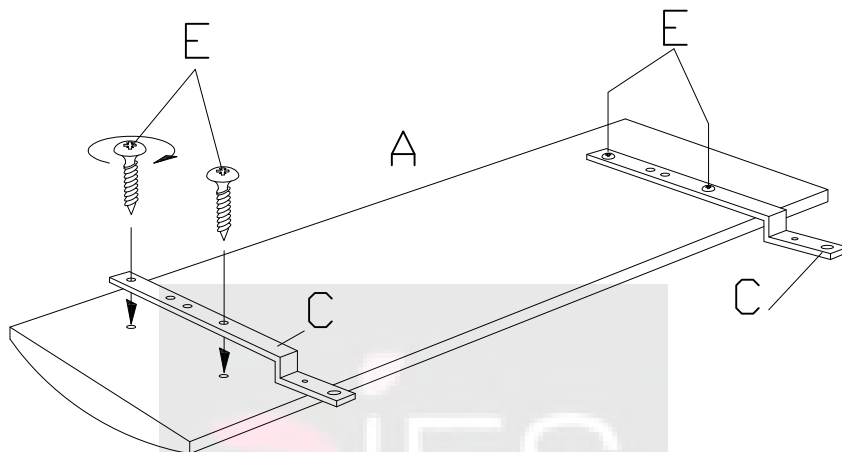
631.165

F x2

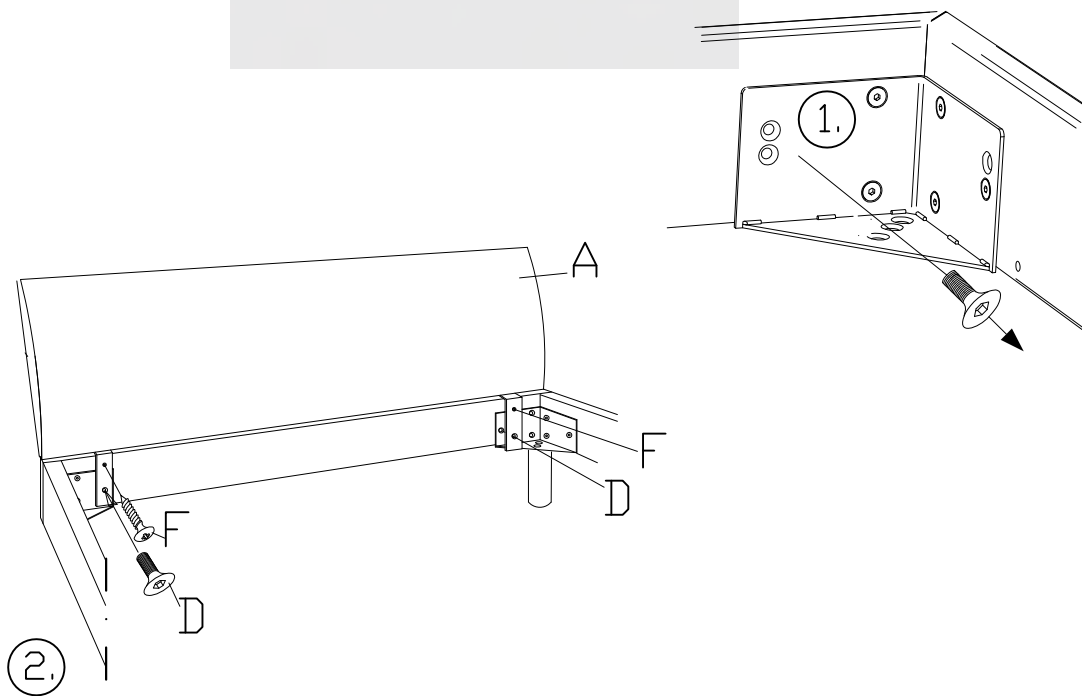


631.321

1.



2.



660.00376