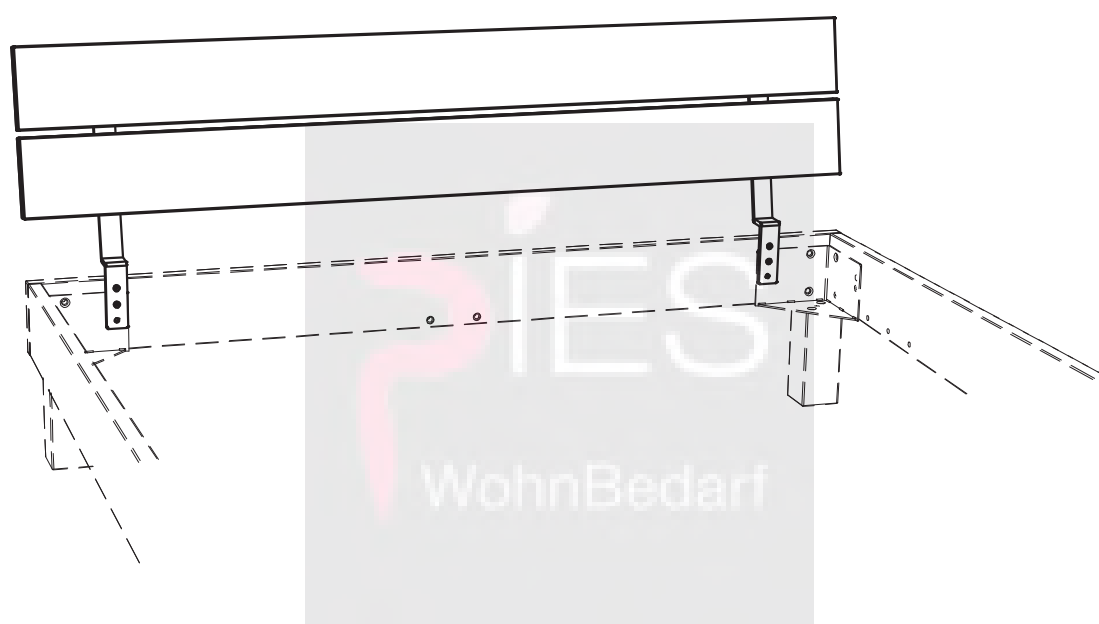
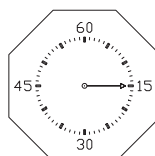
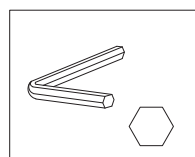
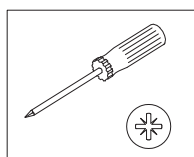


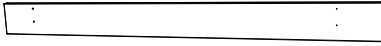
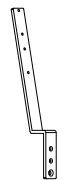
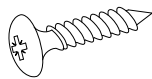
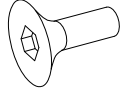
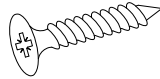


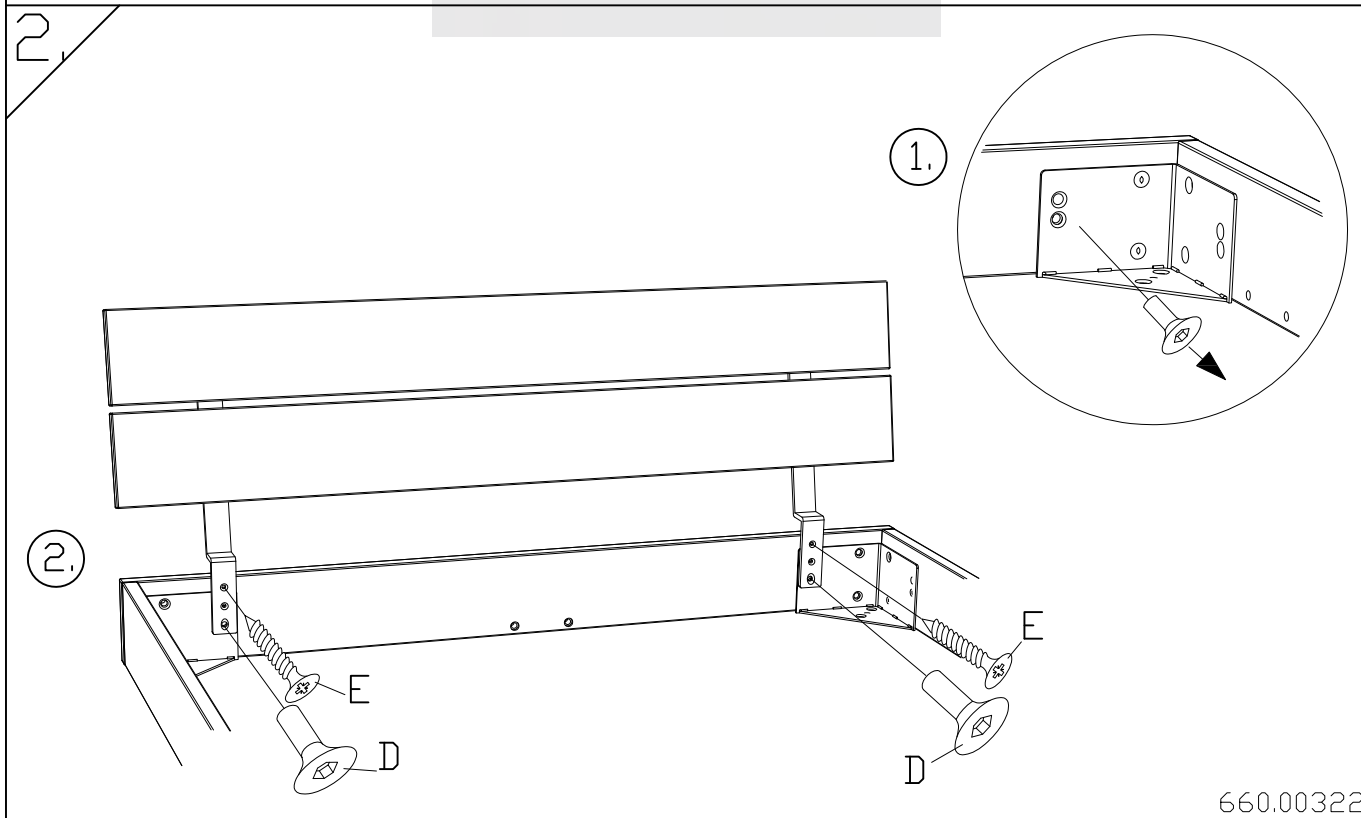
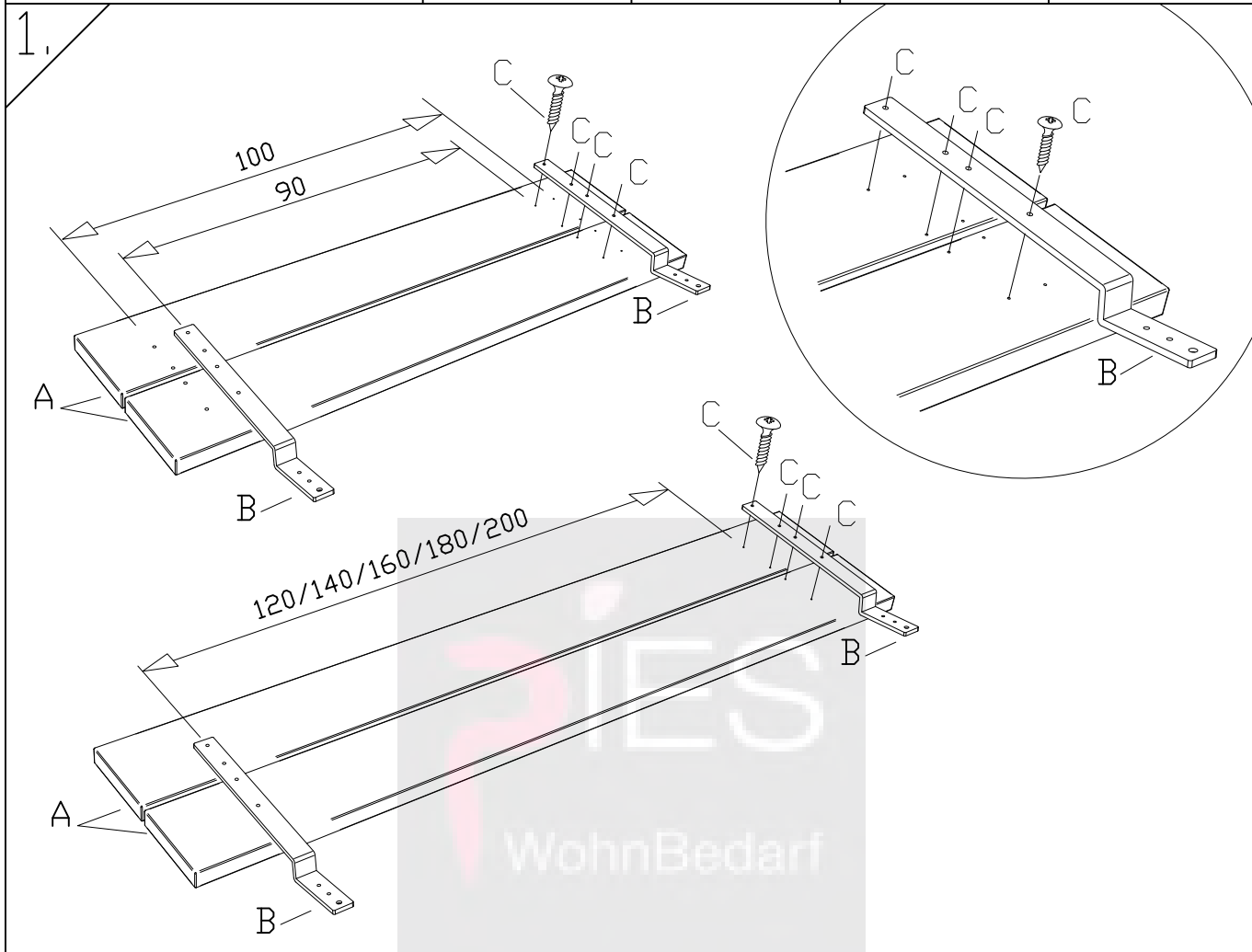
MONTAGEANLEITUNG
NOTICE DE MONTAGE
ASSEMBLY INSTRUCTION
ISTRUZIONE DI MONTAGGIO



Benötigte Werkzeuge – Outils Nécessaires – Tools Required – Attrezzi Necessari



A x2 	B x2  790.010	C x8  631.165	D x2  631.106	E x2  631.321
-------------------------------------------------------------------------------------------	------------------------------------------------------------------------------------------------------	------------------------------------------------------------------------------------------------------	--------------------------------------------------------------------------------------------------------	--------------------------------------------------------------------------------------------------------



660.00322