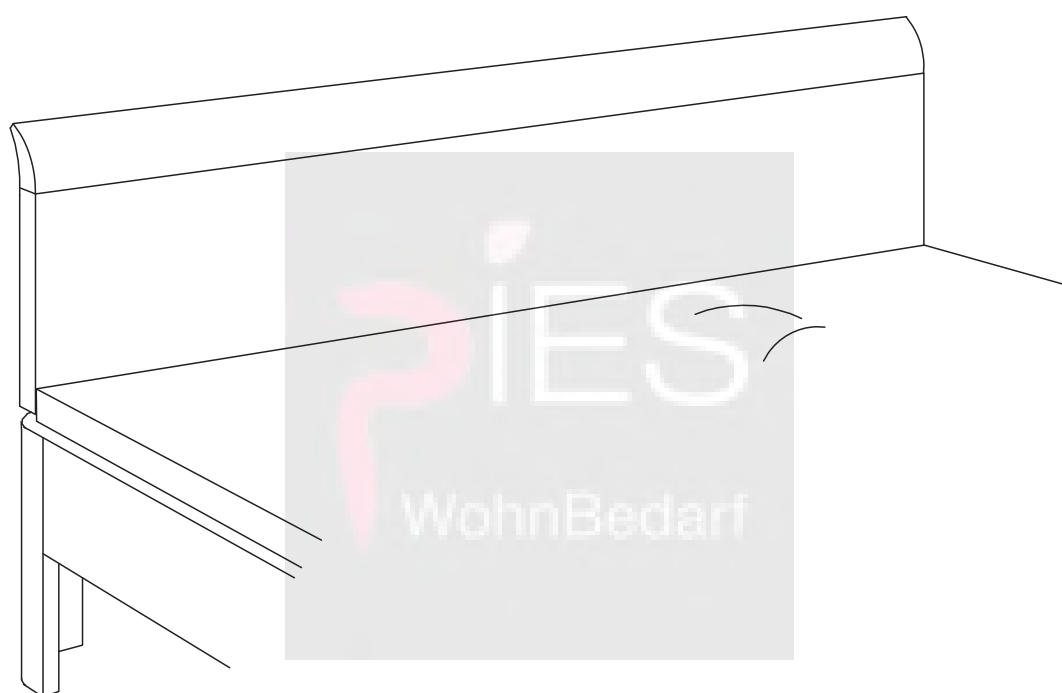
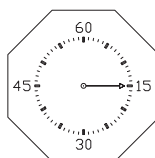
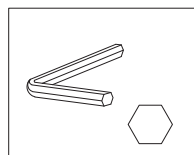
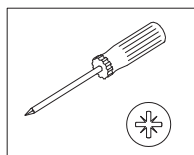


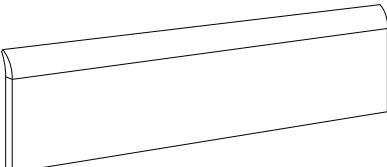

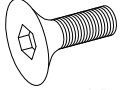




MONTAGEANLEITUNG
NOTICE DE MONTAGE
ASSEMBLY INSTRUCTION
ISTRUZIONE DI MONTAGGIO

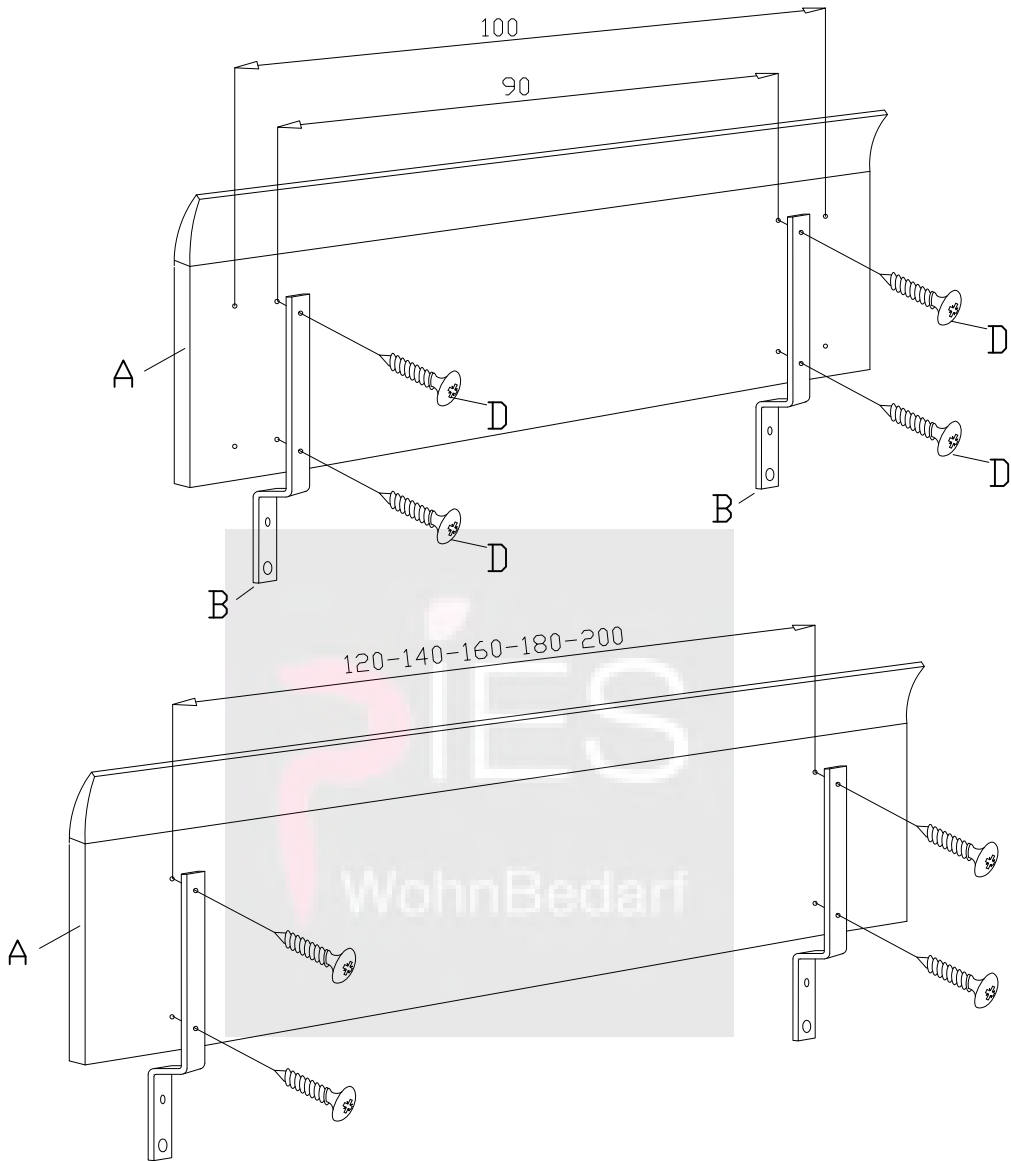


Benötigte Werkzeuge – Outils Nécessaires – Tools Required – Attrezzi Necessari

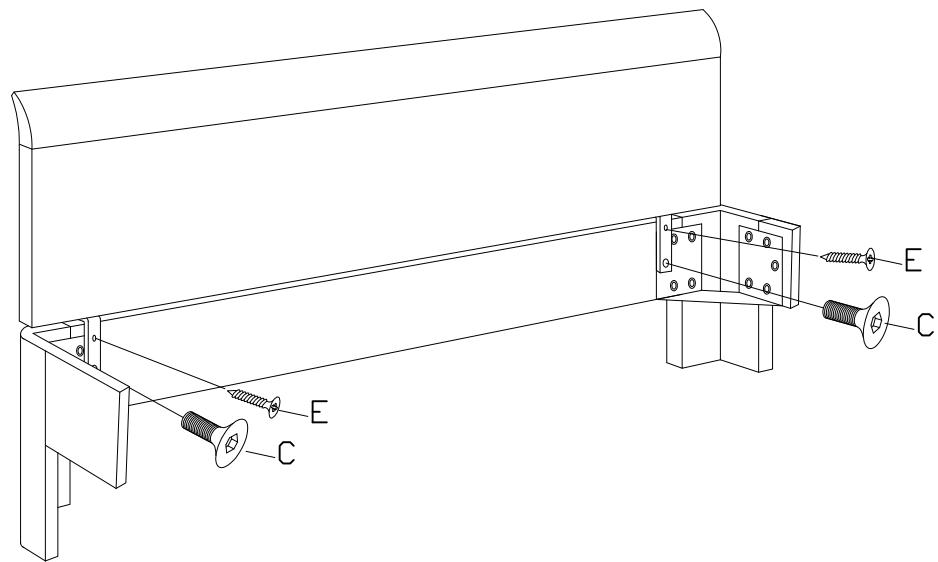


A x1 	B x2  790.015	C x2  631.106	D x4  631.165	E x2  631.321
-------------------------------------------------------------------------------------------	------------------------------------------------------------------------------------------------------	------------------------------------------------------------------------------------------------------	--------------------------------------------------------------------------------------------------------	--------------------------------------------------------------------------------------------------------

1.



2.



660.00014