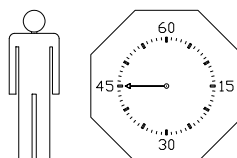
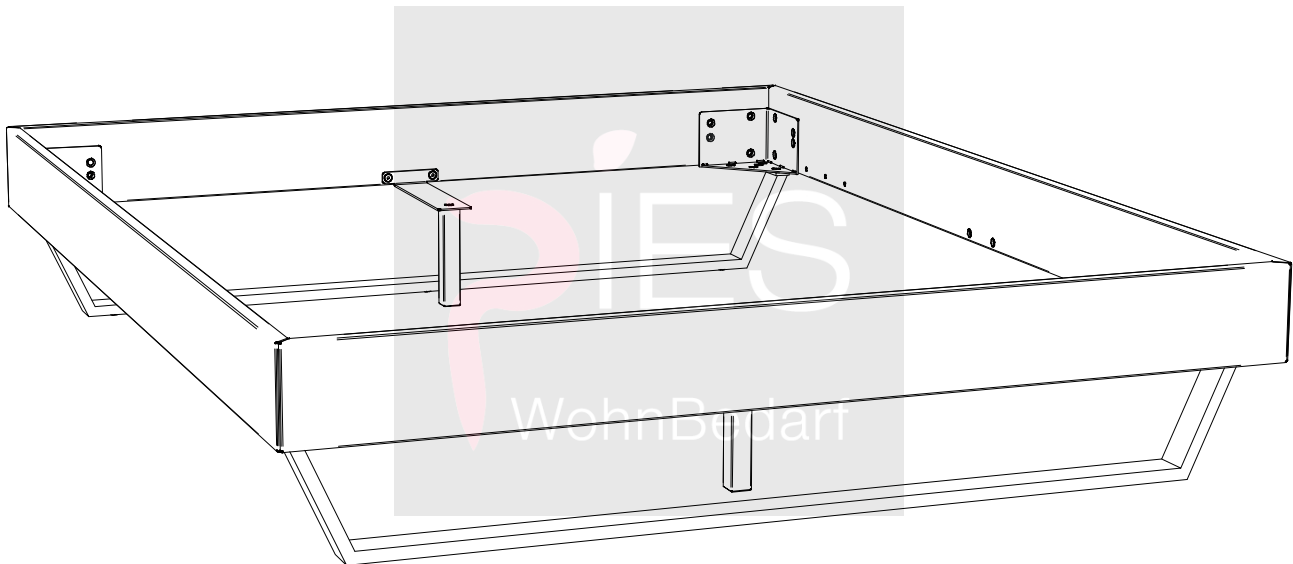




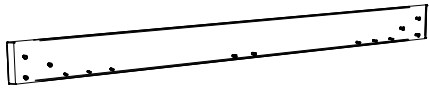
MONTAGEANLEITUNG
NOTICE DE MONTAGE
ASSEMBLY INSTRUCTION
ISTRUZIONE DI MONTAGGIO



Ostino



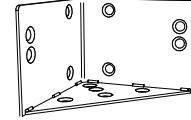
A x2



B x2

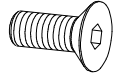


C x4



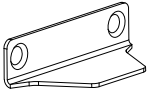
630.10142

D x26
M8x20



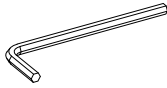
631.87200

E x2

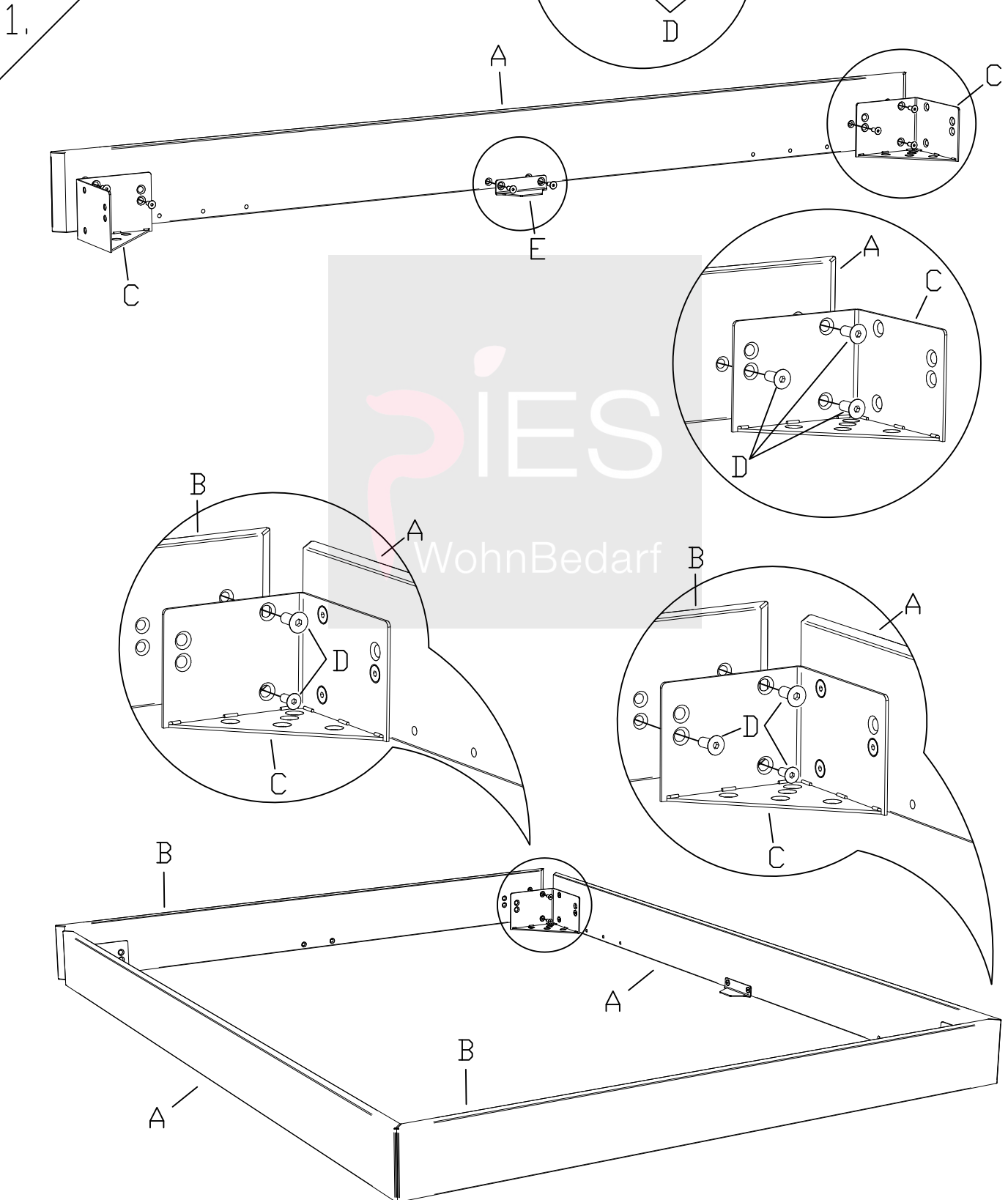
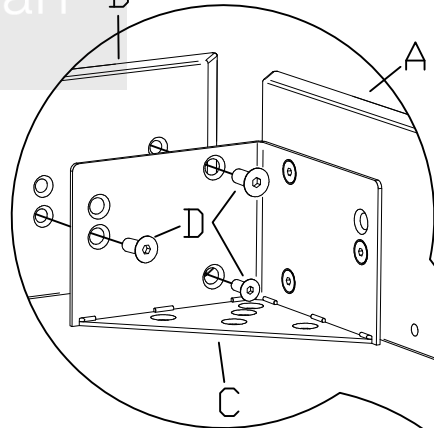
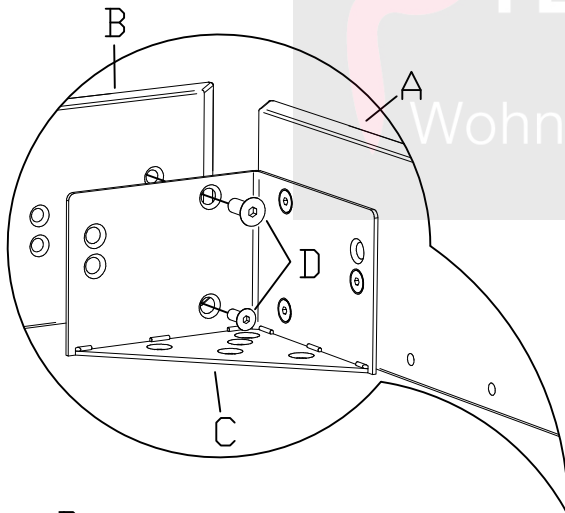
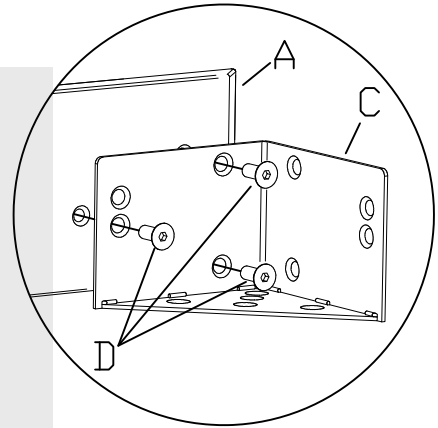
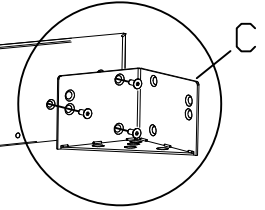
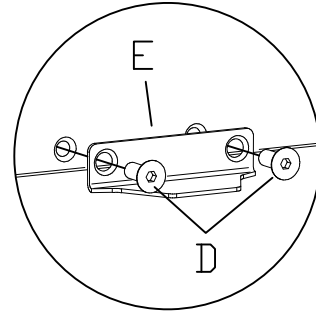


630.09942

Z x1



631.10000

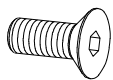


660.01240

F x2

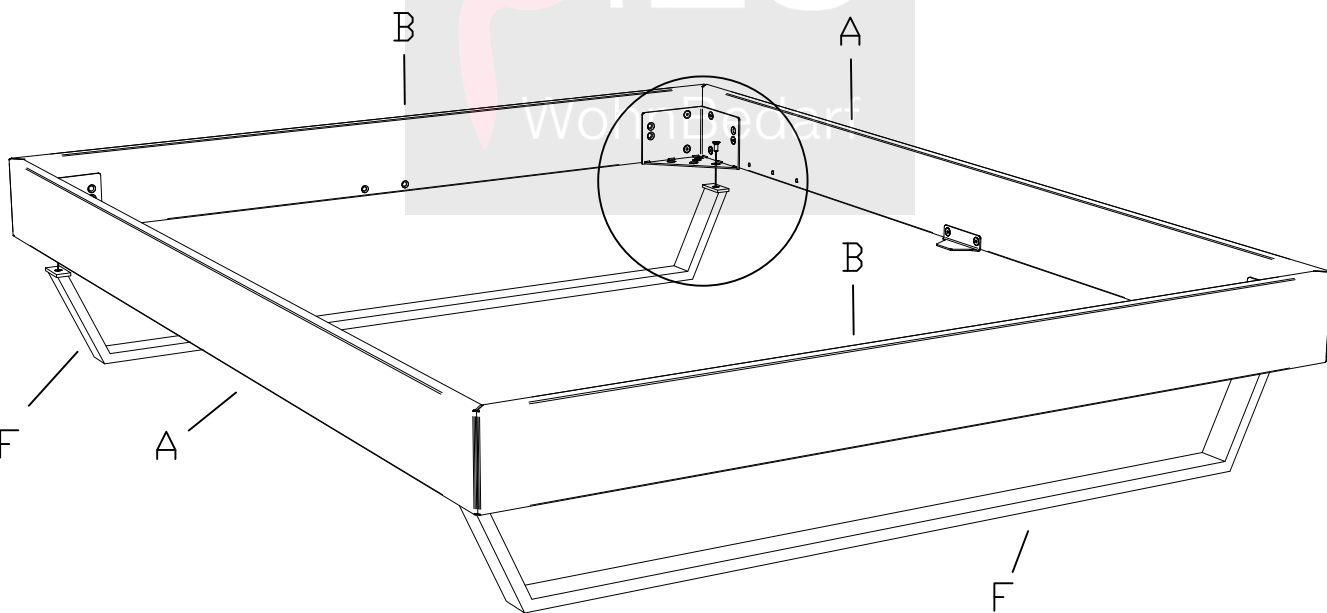
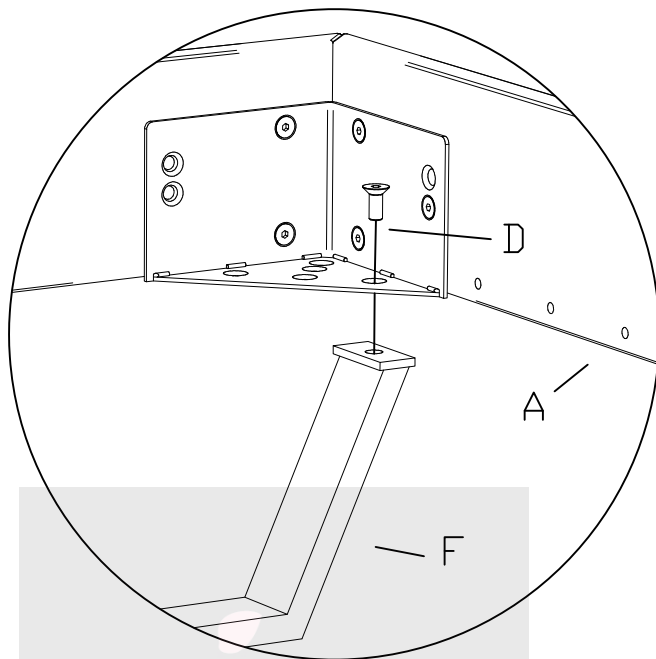


D x4
M8x20

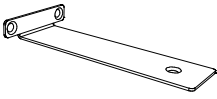

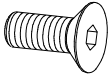


631.87200

2.



bei Breiten ab 160cm
 for widths from 160cm
 à partir des dimensions 160cm
 della misura 160cm

| | | |
|---|---|--|
| <p>M x2</p>  <p>790.023</p> | <p>N x2</p>  | <p>D x6 M8x20</p>  <p>631.87200</p> |
|---|---|--|

