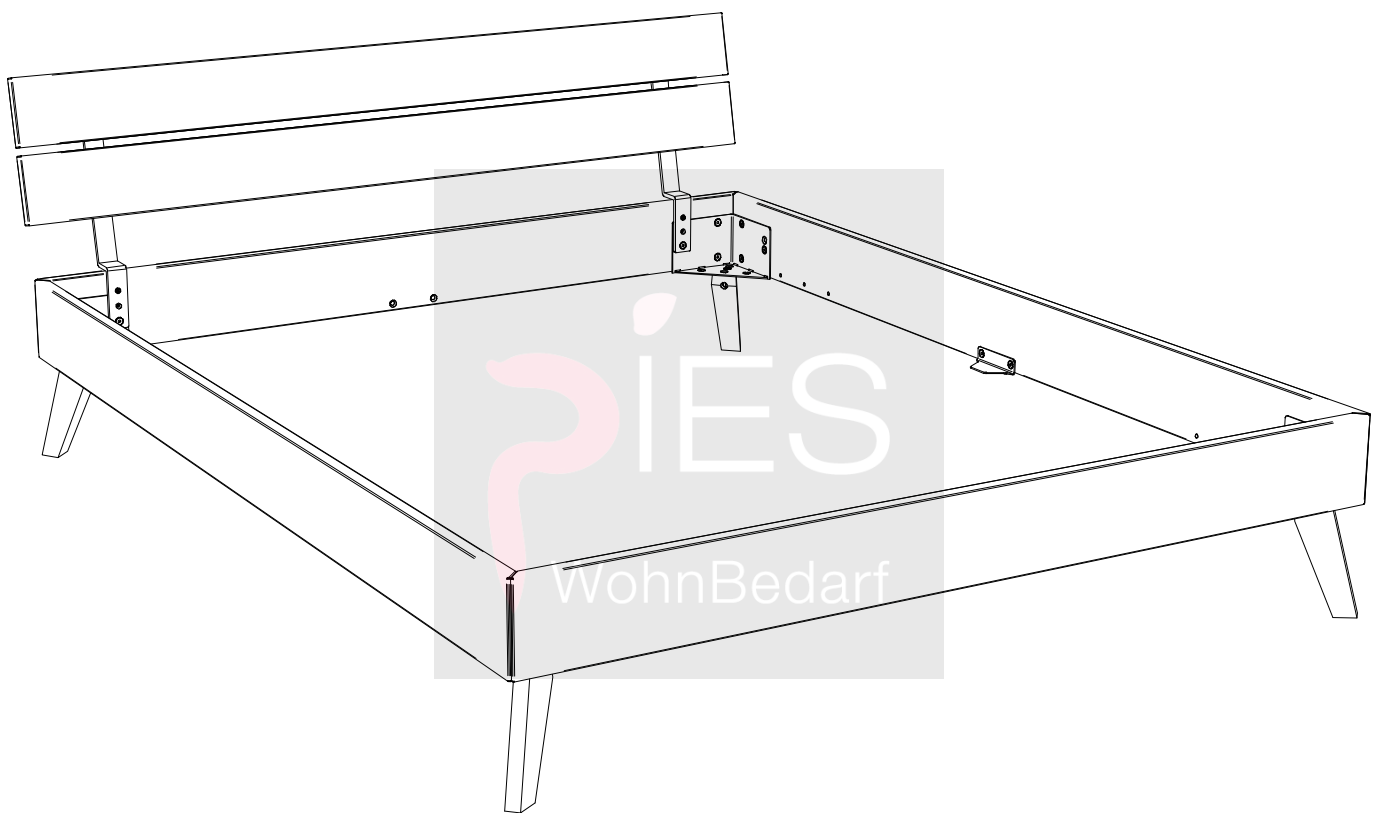




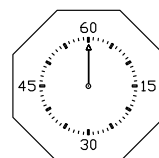
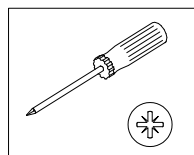
MONTAGEANLEITUNG
NOTICE DE MONTAGE
ASSEMBLY INSTRUCTION
ISTRUZIONE DI MONTAGGIO



Ortona



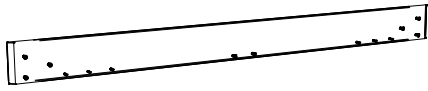
Benötigte Werkzeuge – Outils Nécessaires – Tools Required – Attrezzi Necessari



07.01.2021

660.01135

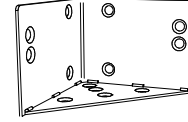
A x2



B x2

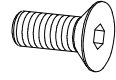


C x4



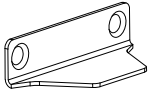
630.10142

D x26
M8x20



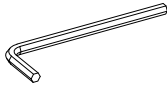
631.87200

E x2

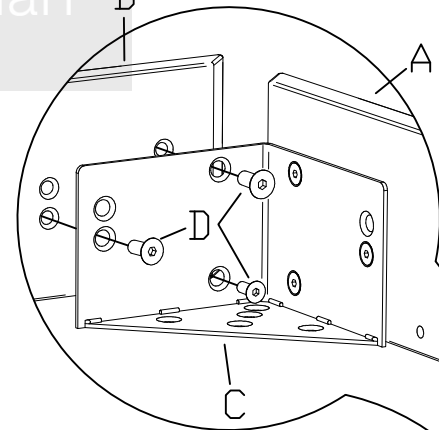
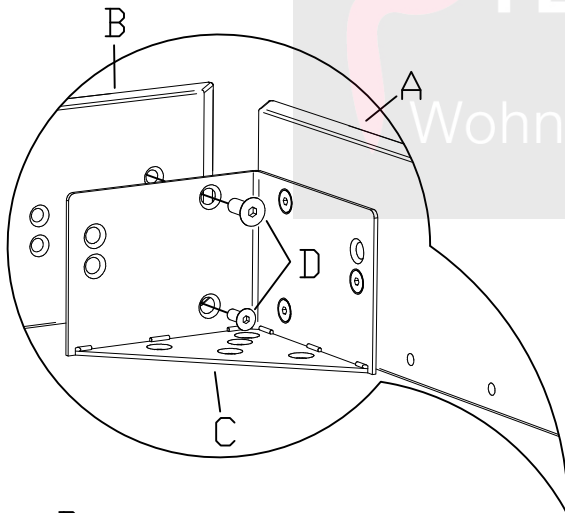
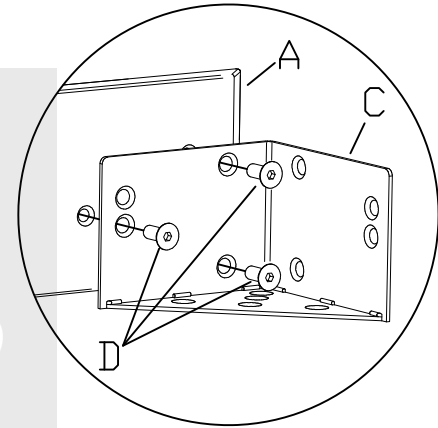
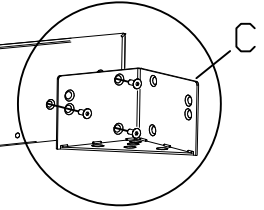
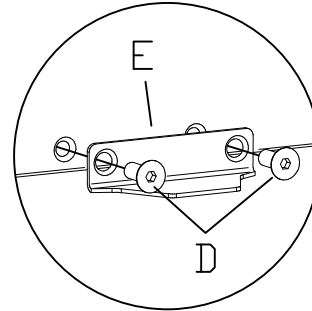


630.09942

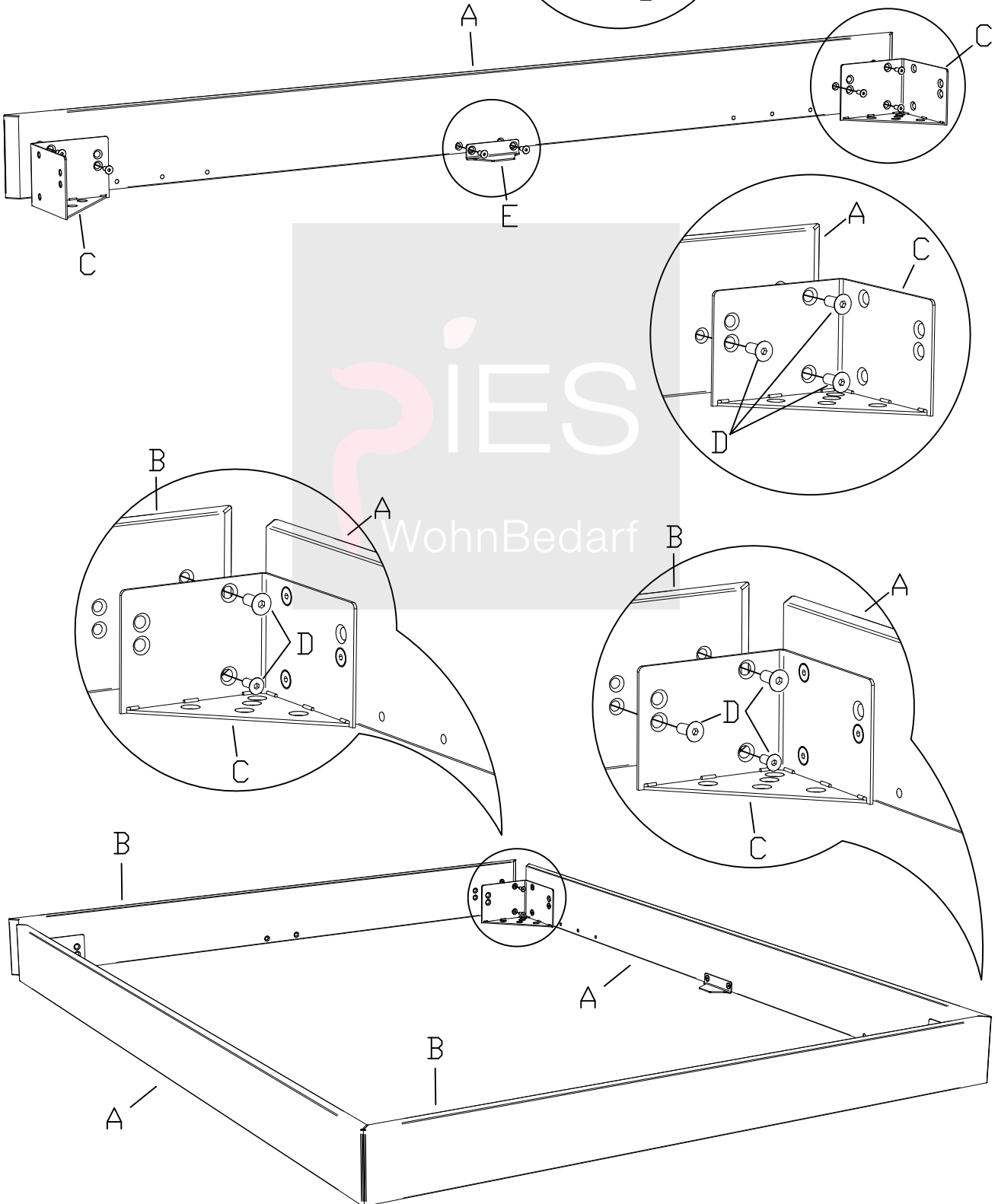
Z x1



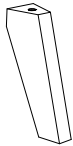
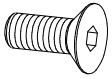

631.10000



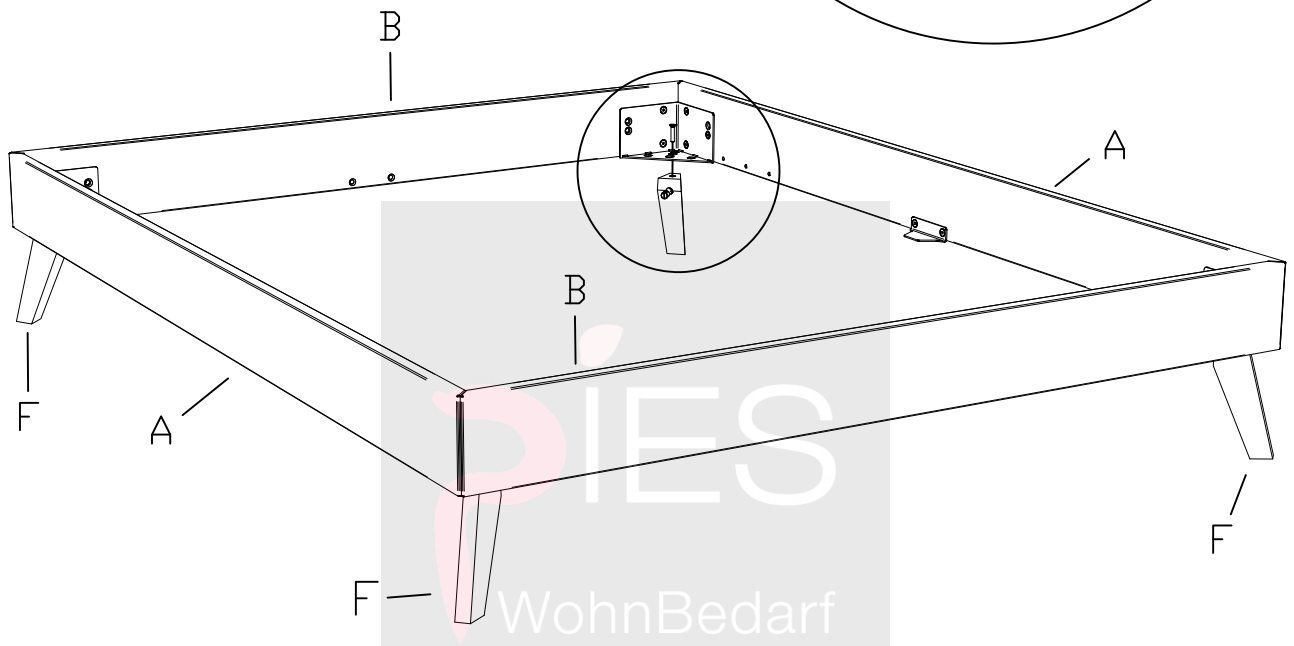
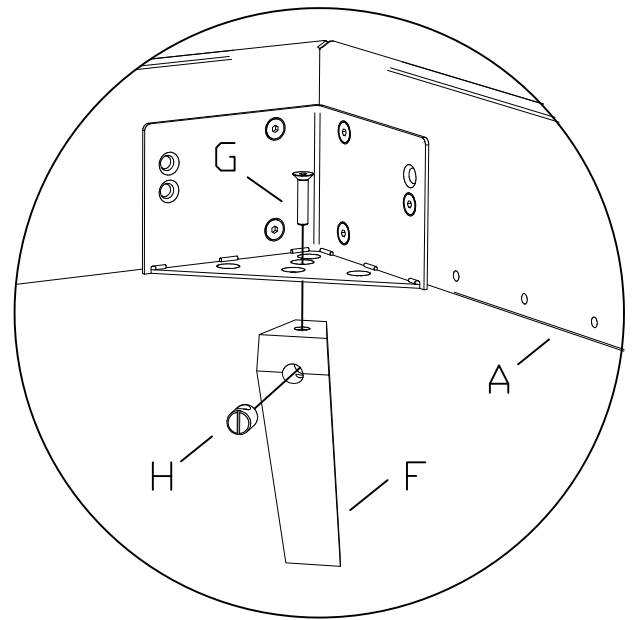
1.

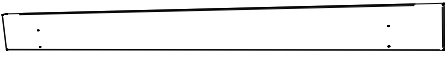
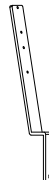
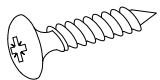
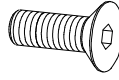
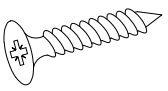


660.01135

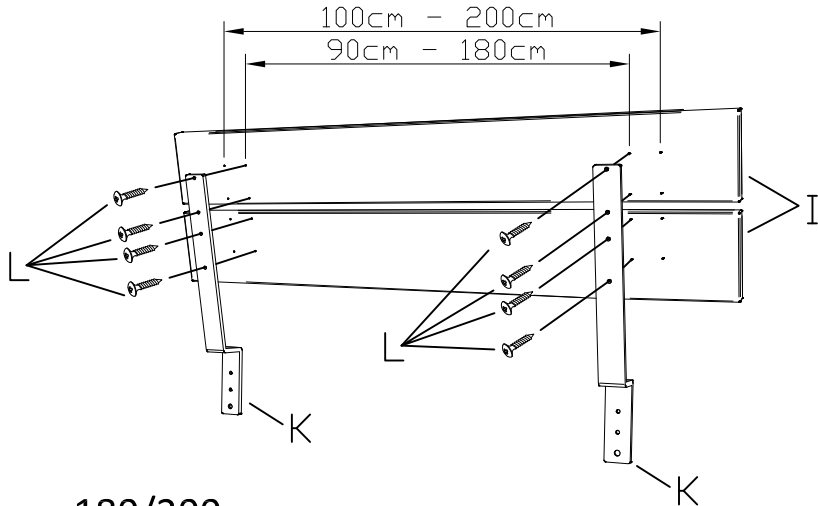
<p>F x4</p> 	<p>G x4 M8x40</p>  <p>631.877</p>	<p>H x4</p>  <p>631.611</p>
---	--	--

2.



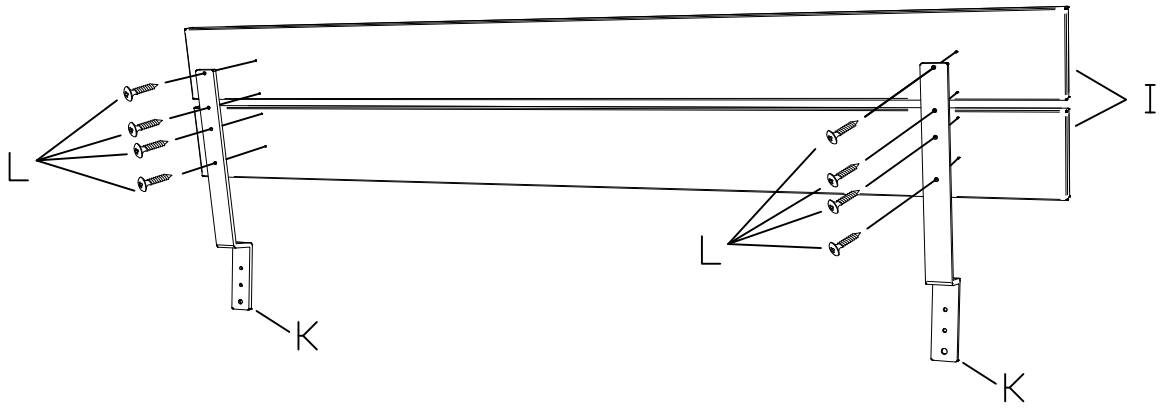
<p>I x2</p> 	<p>K x2</p>  <p>790.010</p>	<p>L x8 PH 5x25</p>  <p>631.16500</p>	<p>M x2 M8x25</p>  <p>631.10600</p>	<p>N x2 SK 5x25</p>  <p>631.32100</p>
---	--	--	--	--

3.



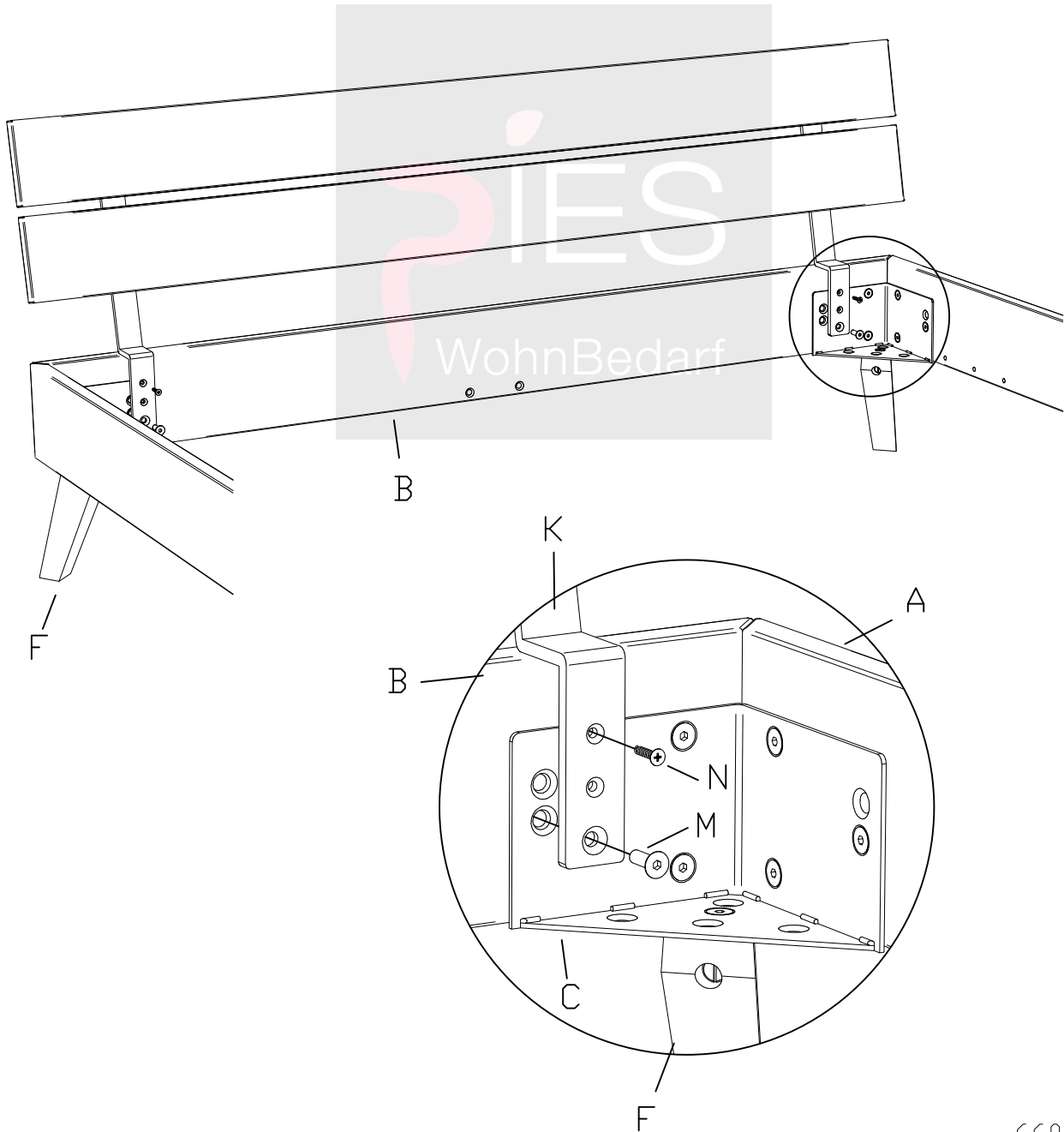
Variante A: 90/100cm - 180/200cm

660.01135

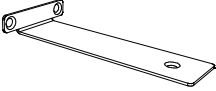

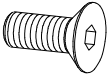


Variante B: 120/140/160cm

4.



bei Breiten ab 160cm
 for widths from 160cm
 à partir des dimensions 160cm
 della misura 160cm

<p>□ x2  790.023</p>	<p>P x2 </p>	<p>D x6 M8x20  631.87200</p>
---	--	--

